



HARDWOOD®

Hardwood Door Control Tech (Ningbo) co., Ltd.

Auxiliary Lock



✉ sales@hardwoodsecurity.com

🌐 www.hardwoodsecurity.com

📍 Ningbo, China

Certifications & Accreditations



- ISO 9001: 2015 | ISO 14001:2015 | ISO 45001: 2018 complied
- UL Certified
- ANSI/BHMA Certified



B10 Series

Latch Bolts



B10 SERIES

SPECIFICATIONS

Material	SS303 / SS304
Backset Depth	2 3/8 " - 2 3/4 "
Door Thickness	1 3/8 " - 1 3/4 "
Latchbolt Throw	1/2 "
Levers/Knobs	Multiple options available
Strike Type	Various options

Key Features

- Brass latchbolt
- Solid stainless steel levers/knobs
- Multiple functions available
- Fire bracket option
- Push button option
- Non-handed
- Easy to install

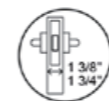
Certificates



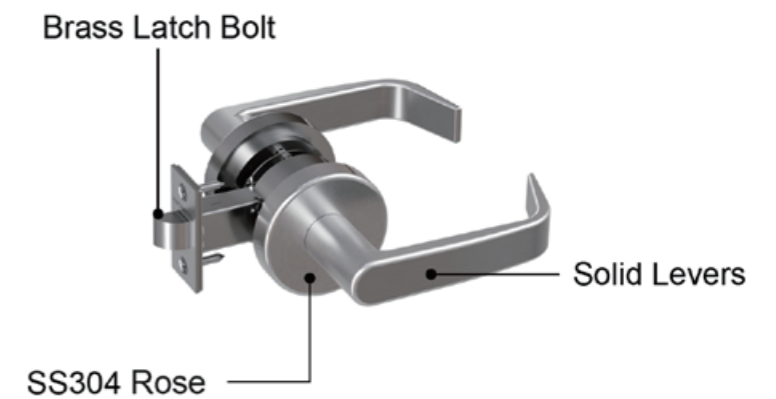
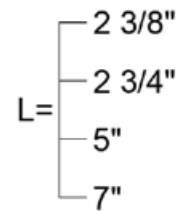
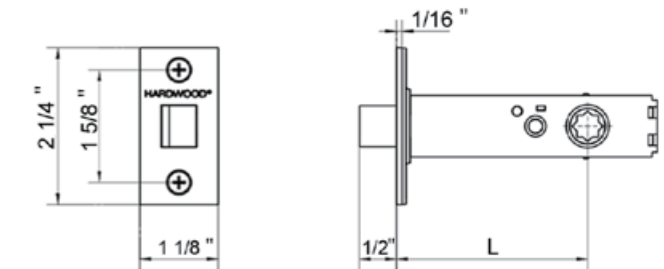
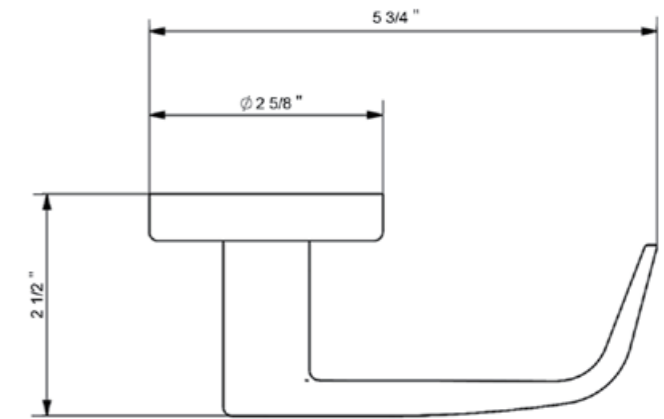
Finishes Available



Simple Installation



Thickness Of Door

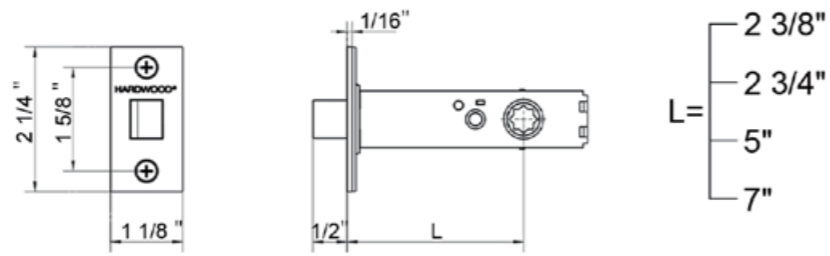


B10 SERIES LATCHBOLTS

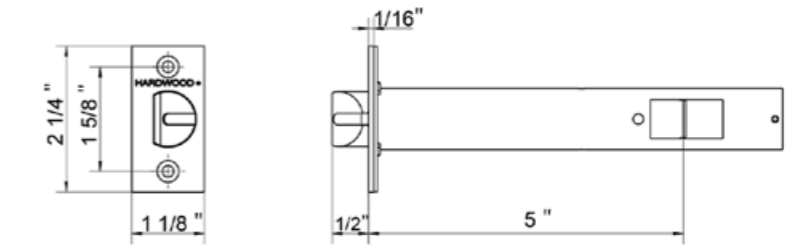
B10 SERIES LATCHBOLTS



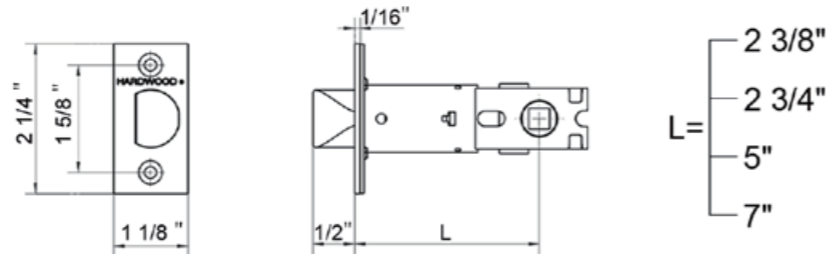
B10



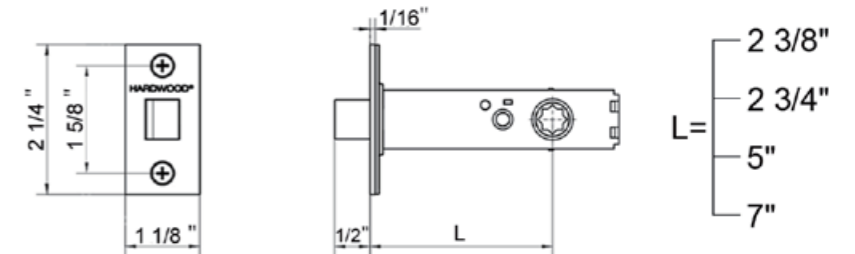
B13



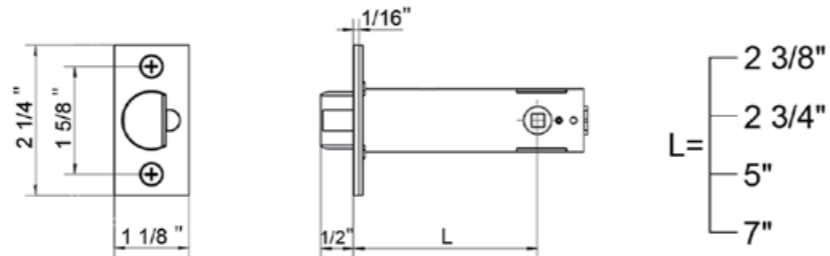
B11



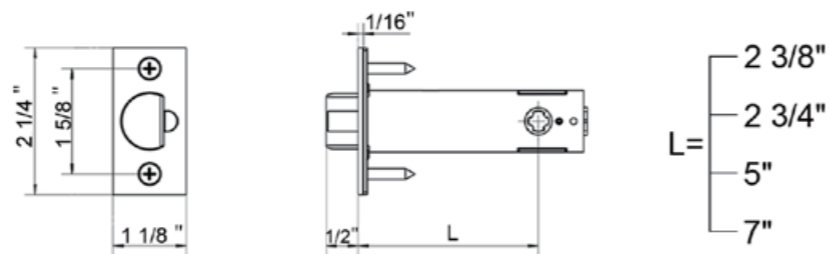
B15
(L24 Lever)



B12



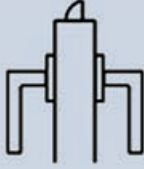



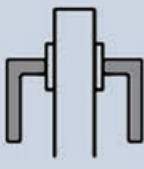
B12E1



Certificates	Finishes	Key Features
	Standard industry finishes available	<ul style="list-style-type: none"> • Brass latchbolt • Stainless steel latch body • Multiple functions available

Certificates	Finishes	Key Features
	Standard industry finishes available	<ul style="list-style-type: none"> • Brass latchbolt • Stainless steel latch body • Multiple functions available

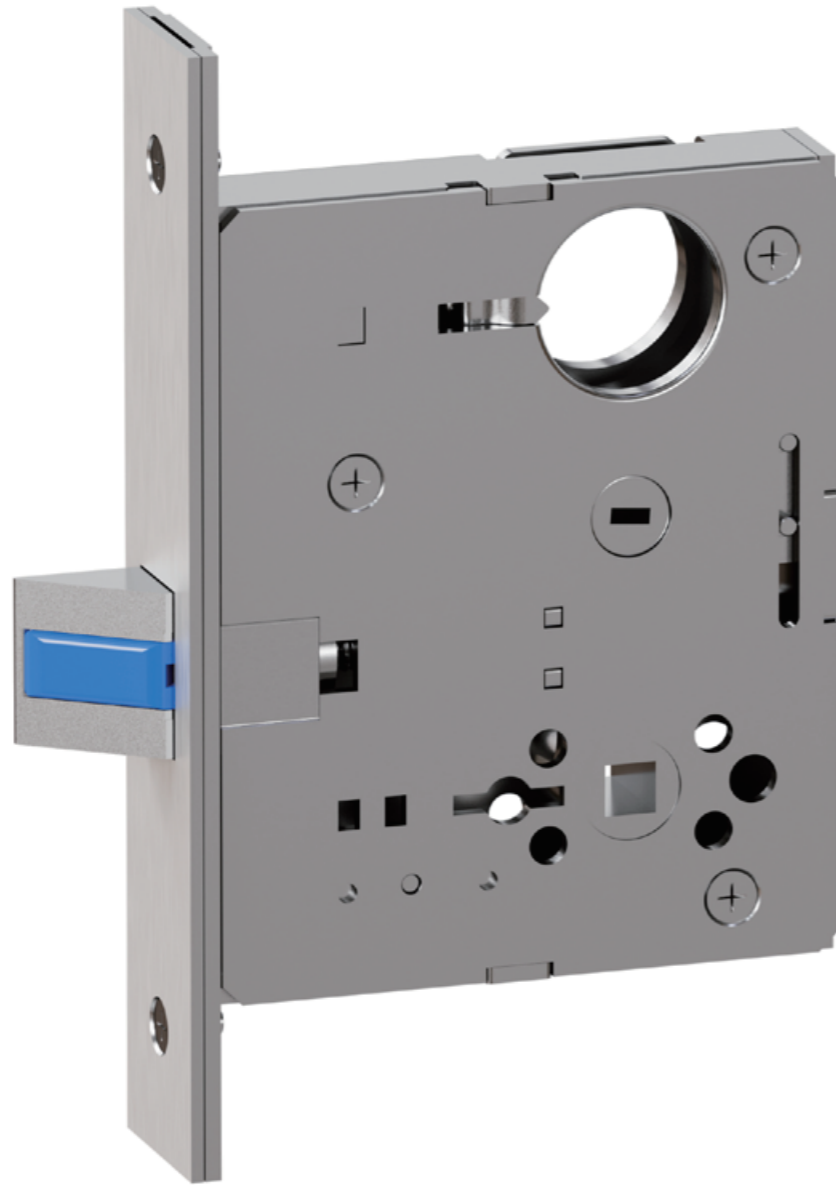
B10 SERIES STANDARD FUNCTIONS

Picture	Model No.	Functions	Description
	B10-01	Passage latch	<ul style="list-style-type: none"> • Both levers retract latch • Ideal for closets & bedrooms
	B10-02	Communicating	<ul style="list-style-type: none"> • Blank rose outside • Lever retracts latch
	B10-03	Privacy	<ul style="list-style-type: none"> • I/S lever always retracts latch • O/S lever retracts latch, except when locked by inside push button • Closing door unlocks outside lever • Includes emergency release • Ideal for bathrooms & home offices
	B10-04	Single Lever Pull	<ul style="list-style-type: none"> • Lever always rigid • No latch included • Ideal for pantries & closets • Surface Mounted*
	B10-05	Double Lever Pull	<ul style="list-style-type: none"> • Levers always rigid • No latch included • Ideal for sliding doors • Through-bolted



B20 Series

Mortise Latches



B20 SERIES

SPECIFICATIONS

Backset	2 3/4 "
CTC	2 15/16 "
Latchbolt Throw	3/4 "
Door Thickness	1 3/8 " - 2 3/4 "
Levers/Knobs	Multiple options available

Key Features

- SS303/SS304 body and levers/knobs
- H59 brass cylinder
- H62 brass or nickel-plated keys
- Adjustable armoured front for door bevel
- Comply with ANSI/BHMA A156.36 Grade 1, 1,000,000 life cycles
- UL 10C 3hr fire rating

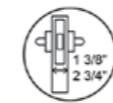
Certificates



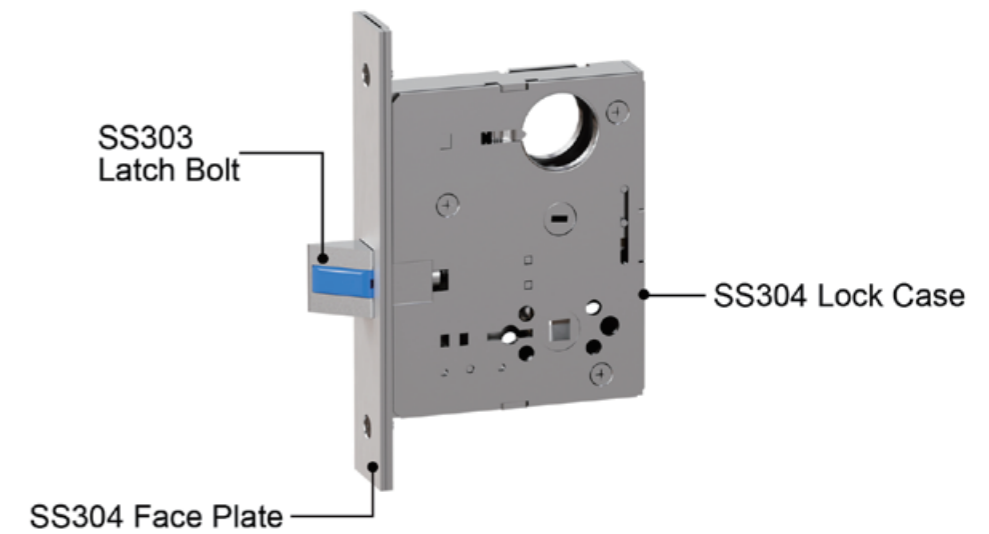
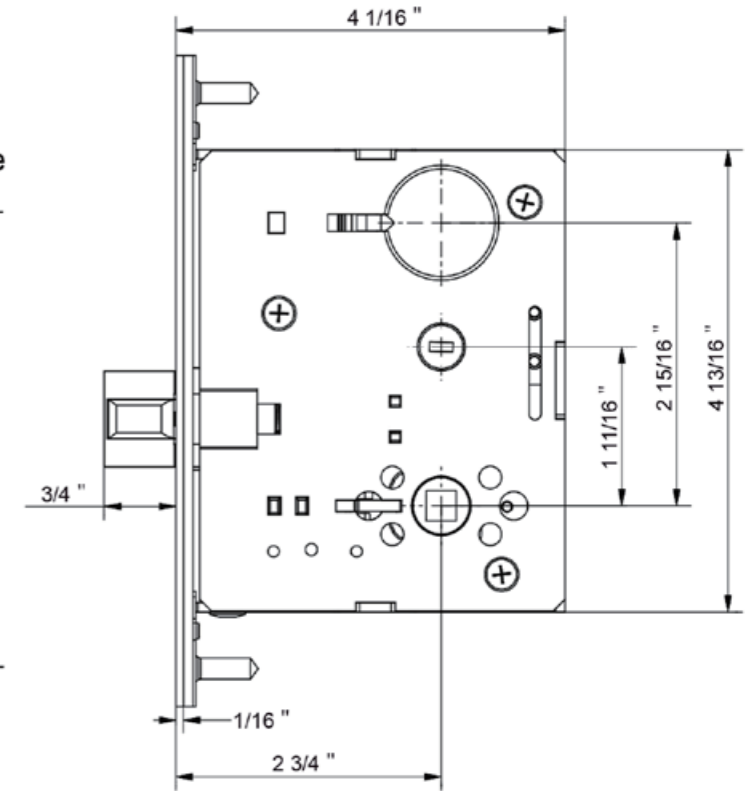
Finishes Available



Simple Installation



Thickness Of Door

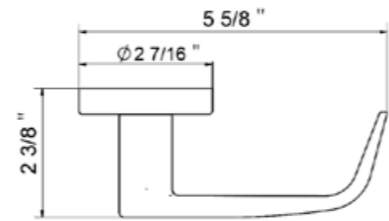


B10 / B20 SERIES LEVER OPTIONS

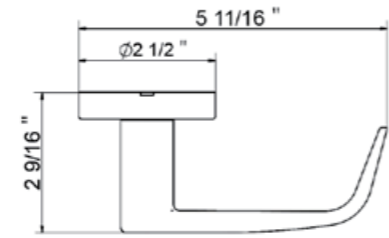
B10 / B20 SERIES LEVER OPTIONS



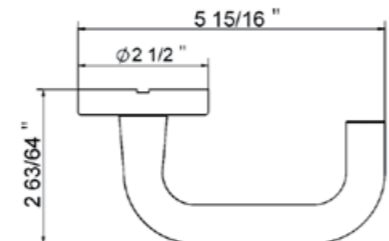
L10A



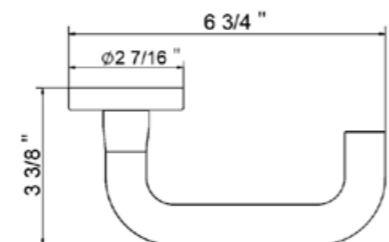
L17



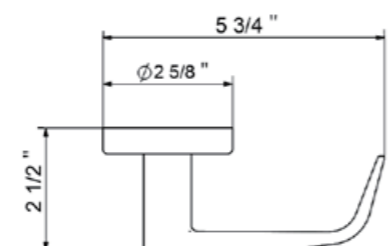
L30



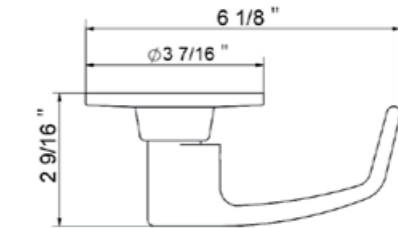
L31



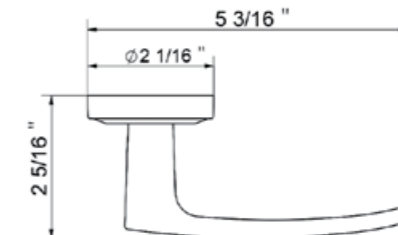
T30



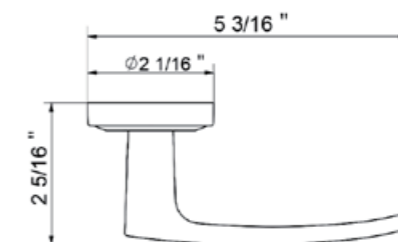
T40(Match B12)



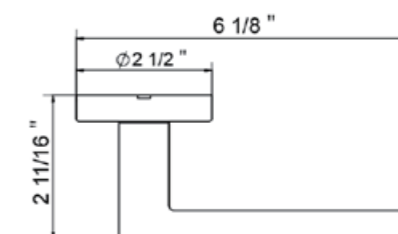
L23
(Zinc leverset Match B20)



L24
(Zinc leverset / Match B15)



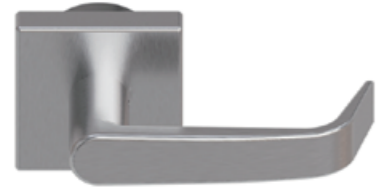
L70



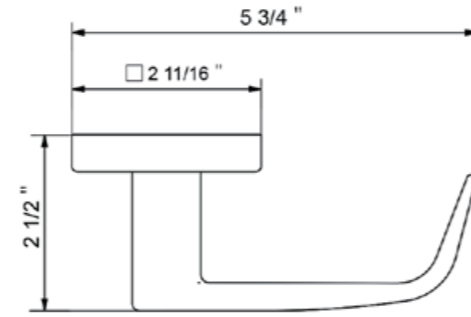
Certificates	Finishes	Key Features
		<ul style="list-style-type: none"> • Solid cast stainless steel levers • Various Finishes available

Certificates	Finishes	Key Features
		<ul style="list-style-type: none"> • Solid cast stainless steel levers • Various Finishes available

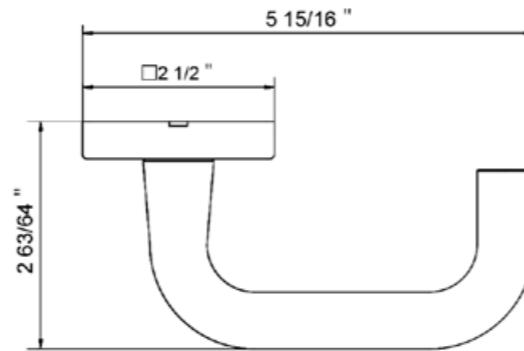
B10 / B20 SERIES LEVER OPTIONS



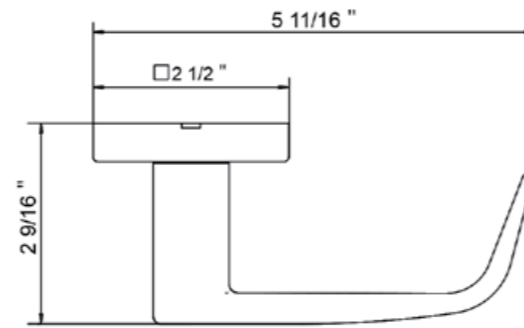
T30



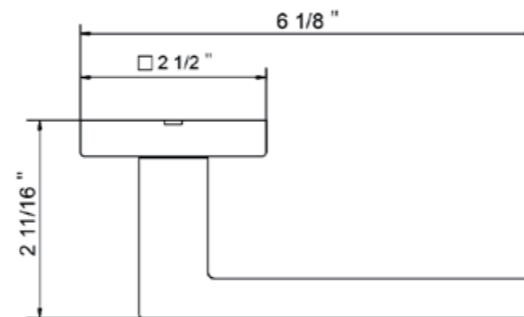
L30



L17



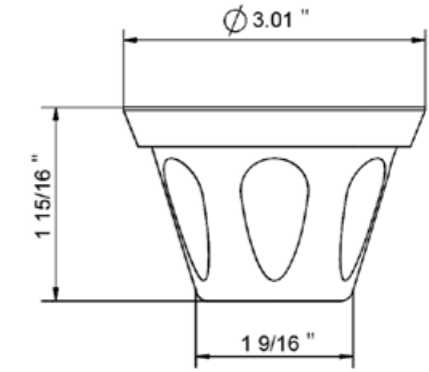
L70



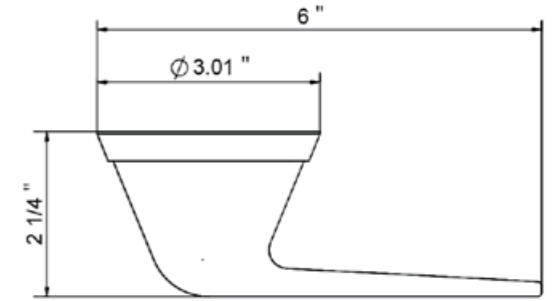
B10 / B20 SERIES LEVER OPTIONS



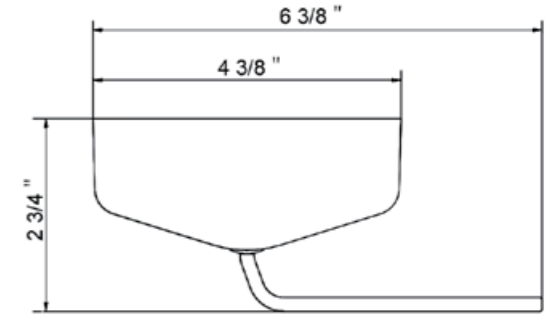
L83



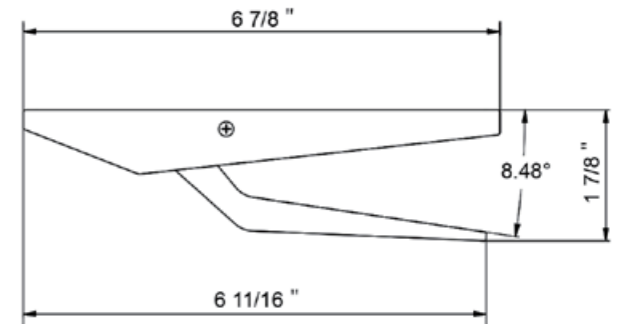
L82



L80



B13(Match B13)



Certificates	Finishes	Key Features
		<ul style="list-style-type: none"> • Solid cast stainless steel levers • Various Finishes available

Certificates	Finishes	Key Features
		<ul style="list-style-type: none"> • Solid cast stainless steel levers • Various Finishes available

C10 Series

Dead Bolts

C10 SERIES

SPECIFICATIONS

Material	Solid stainless steel
Backset	2 3/8 " - 2 3/4 "
Door Thickness	1 3/8 " - 1 3/4 "
Bolt Throw	1 "
Keys	2 pcs, brass
Levers/Knobs	Various shapes available
Strike Type	Multiple options

Key Features

- 17-4PH deadbolt, RoHs-compliance
- Stainless steel faceplate
- SS304/SS316 escutcheon available
- Non-handed
- Multiple functions available with different trims
- Easy to install

Certificates

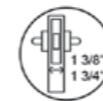


Finishes

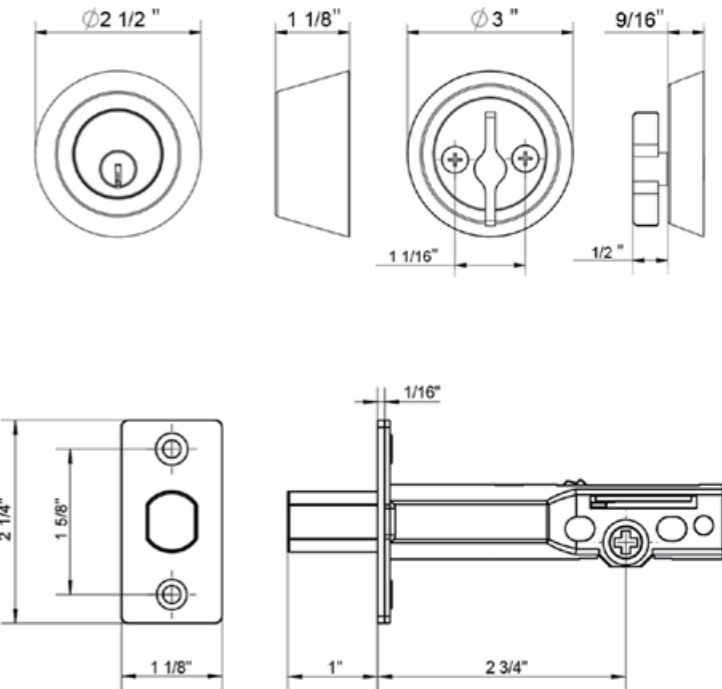
Standard architectural finishes available



Simple Installation



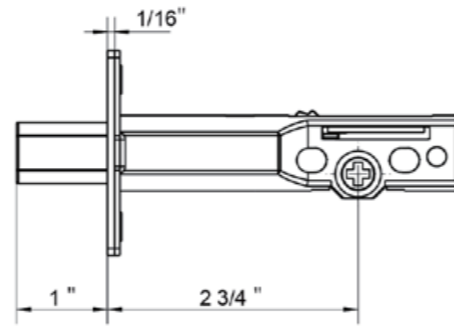
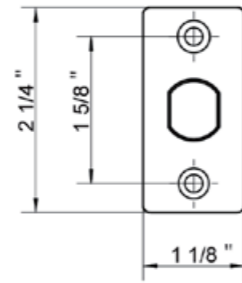
Thickness Of Door



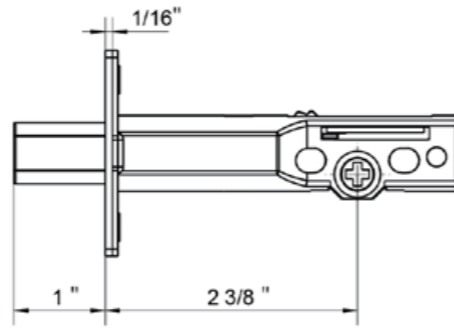
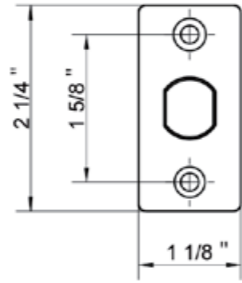
C10 SERIES Deadbolt Lock



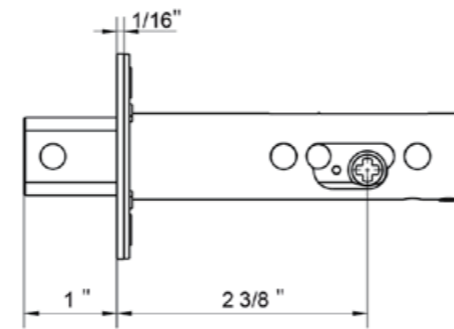
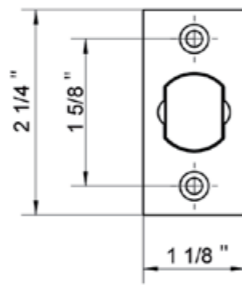
C10



C11(2 3/8 ")



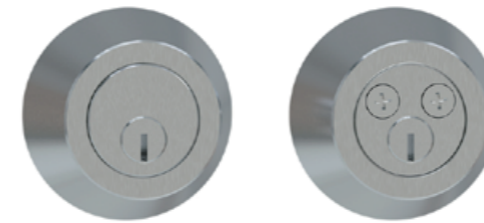
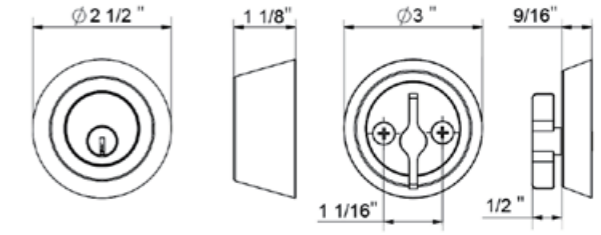
C11(2 3/4 ")



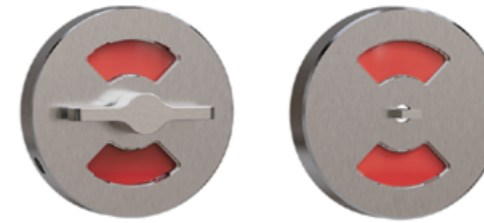
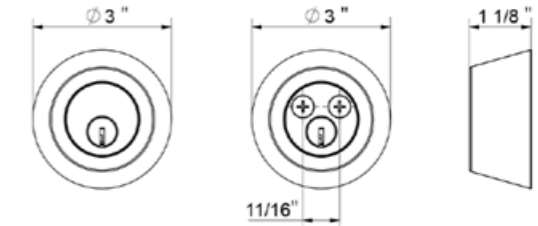
C10 SERIES Levers/Knobs



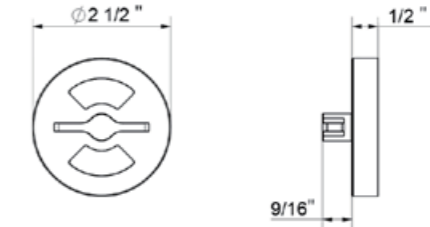
T20(C10/C11)



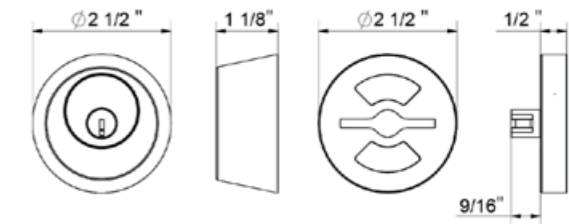
T21(C10/C11)



T22(C10/C11)



T23(C10/C11)



Certificates

Finishes

Key Features



- 17-4PH bolt
- Brass case
- Non-handed

Certificates

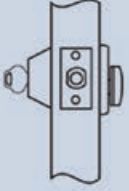
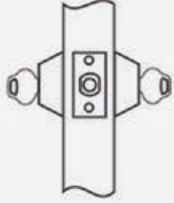
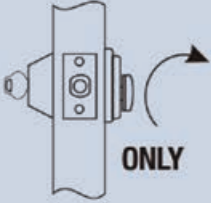
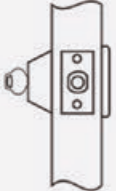

Finishes

Key Features



- Solid cast stainless steel
- Multiple applications

C10 SERIES FUNCTIONS

Picture	Model No.	Functions	Description
	C10-01	Single Cylinder	By key outside and by thumbturn inside.
	C10-02	Double Cylinder	By key either side
	C10-03	Classroom	By key outside and by thumbturn inside. Thumbturn will retract but not project deadbolt.
	C10-04	Cylinder x Blank	By key one side only; opposite side blank.
	C10-05	Thumbturn x Blank	By thumbturn one side only; opposite side blank



C20 Series

Mortise Dead Lock



C20 SERIES

SPECIFICATIONS

Backset	2 3/4 "
Bolt Throw	1 "
Door Thickness	1 3/8 " - 2 1/8 "
Finishes	US32D
Handing	Non-handed (Classroom handed)

Key Features

- 17-4PH bolt
- Steel alloy cylinder retainer
- Stainless steel case
- Brass cylinder
- High strength and corrosion resistance
- Adjustable armoured front for door bevel
- Comply with ANSI/BHMA A156.36 G1, 1,000,000 life cycles
- UL 10C, 3hr fire rating

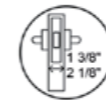
Certificates



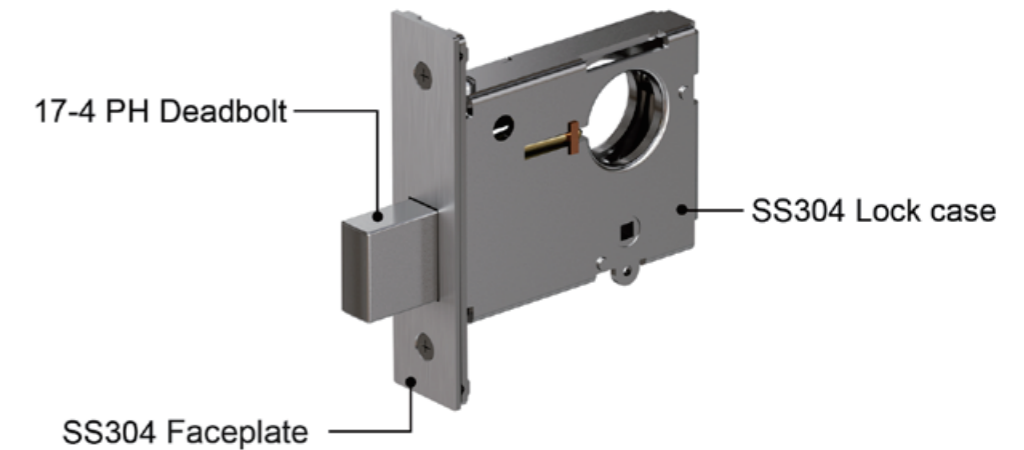
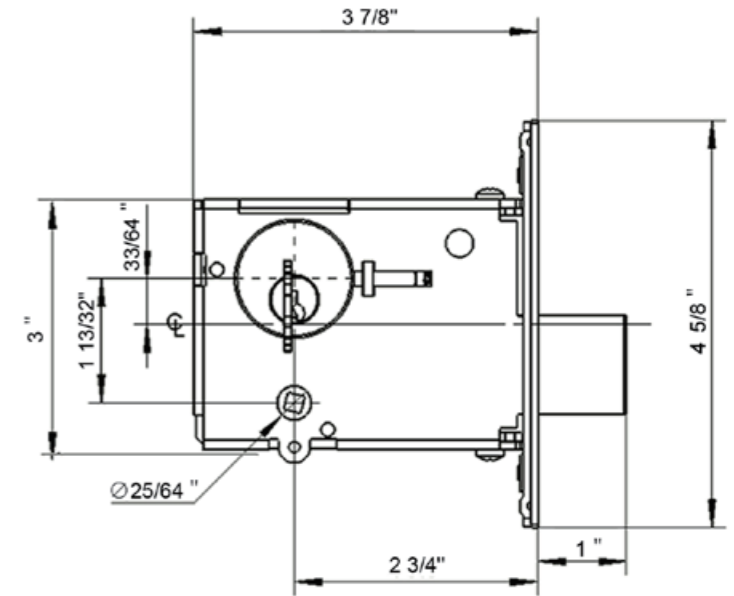
Finishes





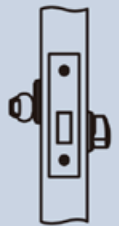
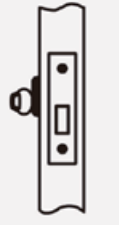

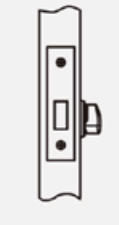
Simple Installation



Thickness Of Door



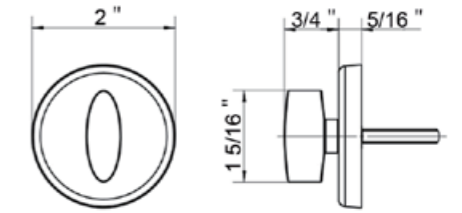
C20 SERIES FUNCTIONS

Picture	Model (ANSI NO.)	Functions	Description
	C2017(F17)	Single Cylinder	By key outside and by thumbturn inside.
	C2016(F16)	Double Cylinder	By key either side
	C2029(F29)	Classroom	By key outside and by thumbturn inside. Thumbturn will retract but not project deadbolt.
	C2018(F18)	Cylinder x Blank	By key one side only; opposite side blank.
	—	Double Cylinder x Thumbturn	By key either side and by thumbturn inside. Thumbturn will retract but not project deadbolt.
	C2020	Thumbturn x Blank	By thumbturn inside only; opposite side blank

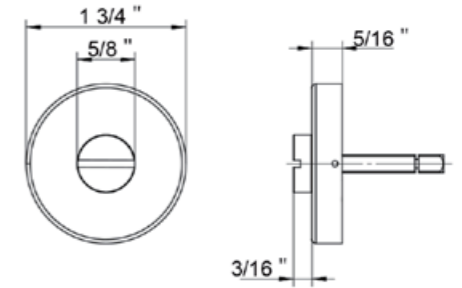
C20 SERIES Trims



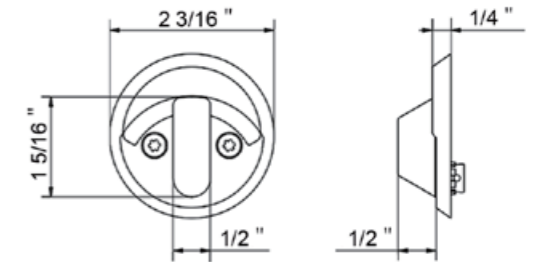
T69



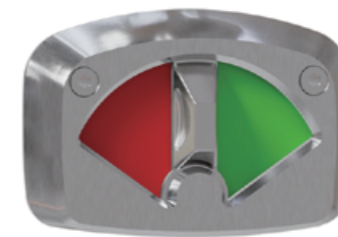
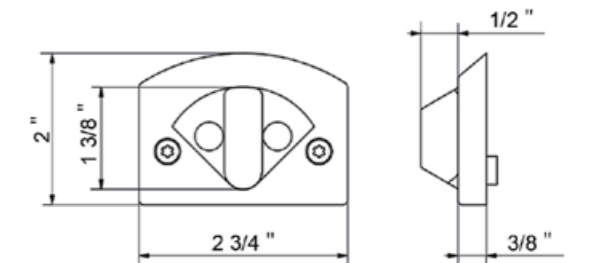
T71



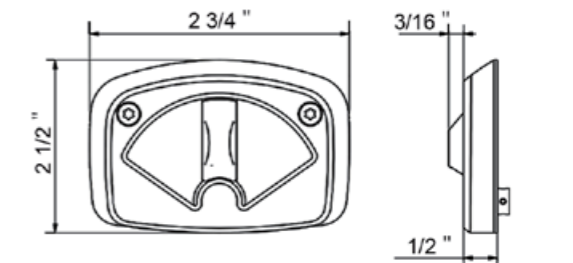
T63



T64



T66



Certificates



Finishes



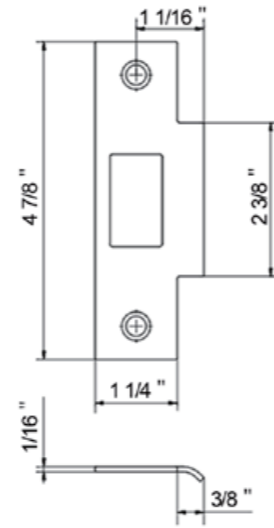
Key Features

- Stainless steel material
- Various finishes available

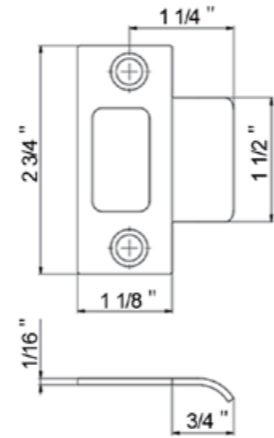
Strikes Options



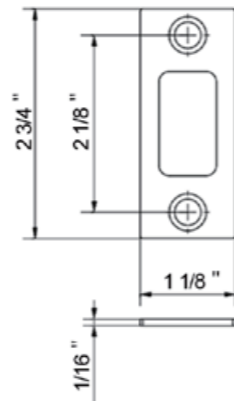
ST01



ST02



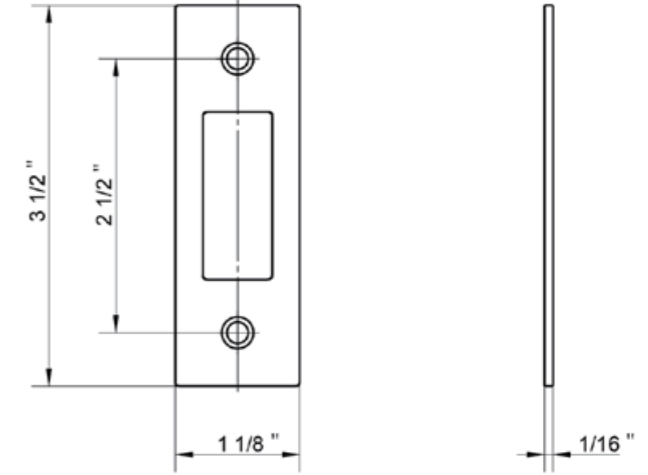
ST03



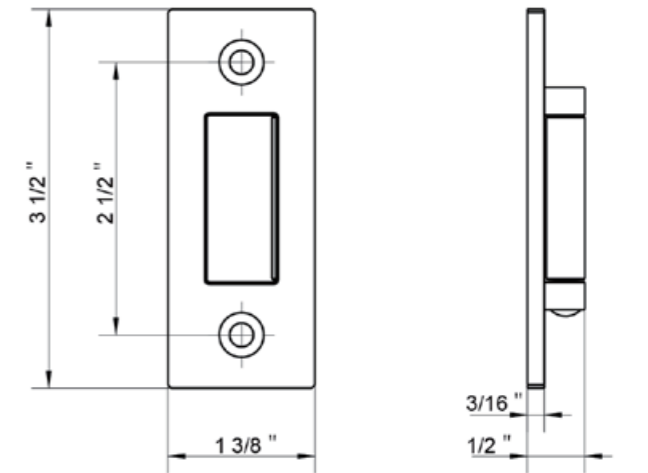
Strikes Options



ST03
(Match C20)



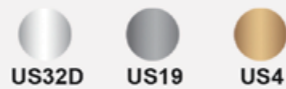
ST04
(Match C20)



Certificates

Finishes

Key Features



- Stainless steel material
- Various finishes available

Certificates

Finishes

Key Features



- Stainless steel material
- Various finishes available

Healthcare Series

Hospital Latch



Hospital Latch

SPECIFICATIONS

Material	SS304/SS316
Backset	2 3/8 " - 2 3/4 "
Bolt Throw	1/2 "
Door Thickness	1 3/8 " - 1 3/4 "
Lever Type	Push / Pull paddle
Strike	Multiple options

Key Features

- SS316 material available
- ADA compliant
- Non-handed
- Vertical / Horizontal mountings of paddles available per needs
- Easy to install

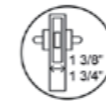
Certificates



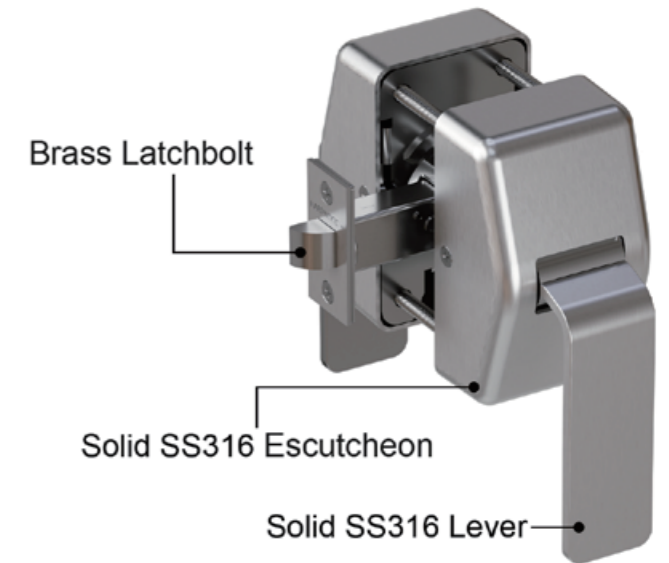
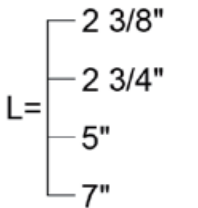
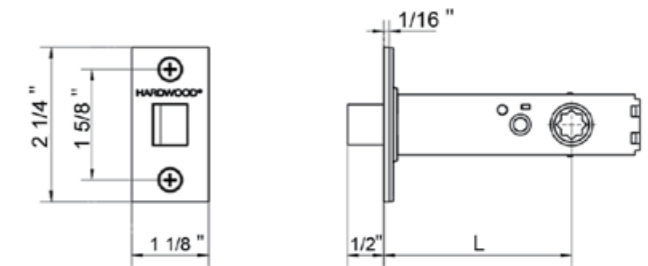
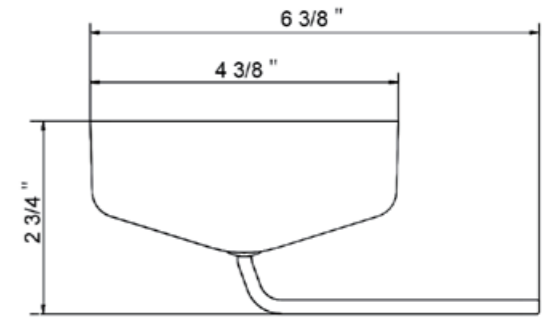
Finishes



Simple Installation



Thickness Of Door



30+



ABOUT US

30+
Industry
Experience

100+
Serving
Clients

300+
Product
Portfolio

Hardwood is an innovative and professional company engaged in research, development, design and manufacturing of Locksets, fittings, sliding door system and numerous architectural hardware. The founder and core members have over 30 years' experience in door control industry.

Our vision is to be the expert on functional and decorative security products and accessories. We believe true value can only be created by continuous dedication.

Hardwood aims always to be your most reliable partner in supplying locksets and architectural hardware.

SOLUTIONS



01 Office Buildings

Durable and reliable for high-traffic daily use, enhancing security and operational efficiency.



04 Hospitals

Features antimicrobial surfaces for infection control and is engineered for critical safety and reliability in high-stakes settings, ADA compliant

02 Hotels

Combines quiet, smooth operation with aesthetic design to ensure guest comfort and long-term performance.



05 Airports

Designed for extreme, continuous traffic and all-weather conditions, ensuring dependable operation and public safety.



03 Schools

Built to withstand high-frequency use and vandalism, ensuring safety and durability in demanding environments.



06 Marine

Constructed with corrosion-resistant materials to endure harsh saltwater environments and ensure lasting performance.