

HARDWOOD®

A trusted global partner in functional and decorative opening solutions

Delivering reliable opening solutions that combine performance, aesthetics, and sustainability

CONTACT US

📍 Ningbo, China

✉ sales@hardwoodsecurity.com

🌐 www.hardwoodsecurity.com



@ 2026 All rights reserved Specifications are subject to change without notice.

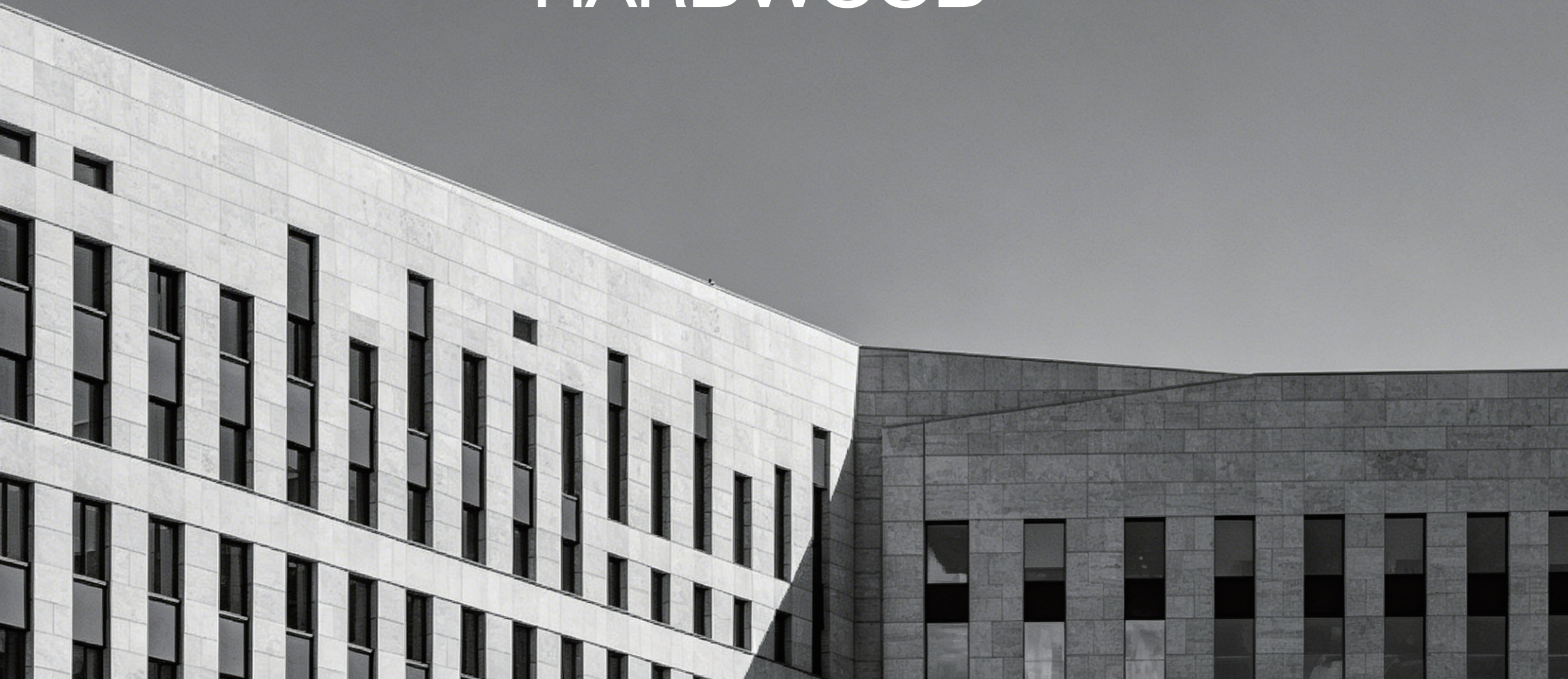
www.hardwoodsecurity.com



Auxiliary Lock

Hardwood Door Control Tech (Ningbo) Co., Ltd.

HARDWOOD®



INTRODUCTION

ABOUT US

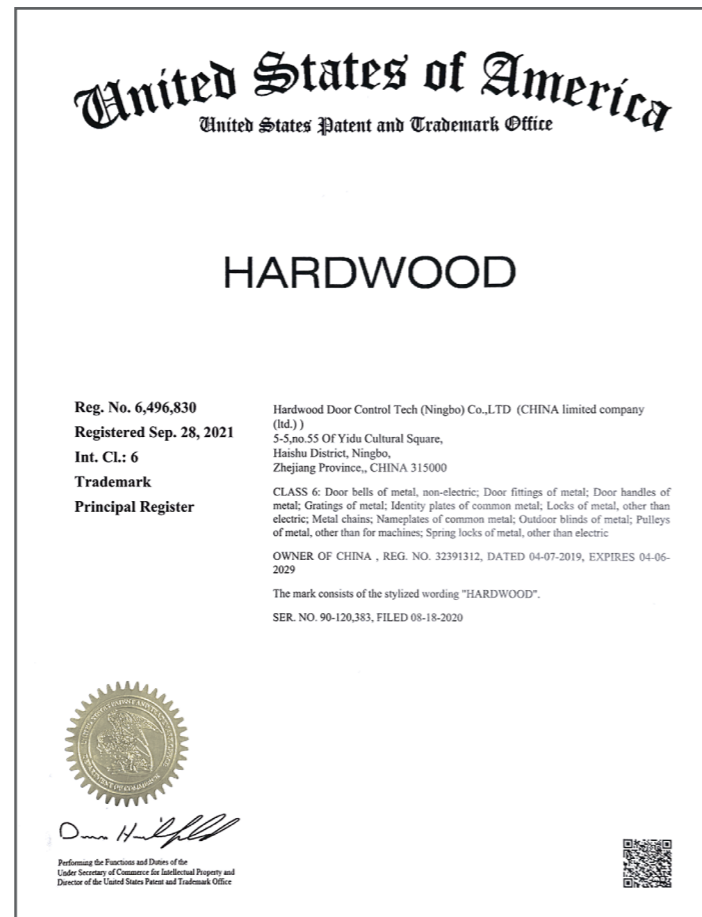
A trusted global partner in functional and decorative opening solutions



Hardwood is an innovative and professional company engaged in research, development, design and manufacturing of Locksets, fittings, sliding door system and numerous architectural hardware. The founder and core members have over 30 years' experience in door control industry.



Delivering reliable opening solutions that combine performance, aesthetics, and sustainability.



30+
Years

100+
Serving Clients

300+
Product Portfolio



B10 SERIES

Latch Bolt Lock



GRADE 1 SECURITY

Meets the highest industry standards for durability, security, and performance.



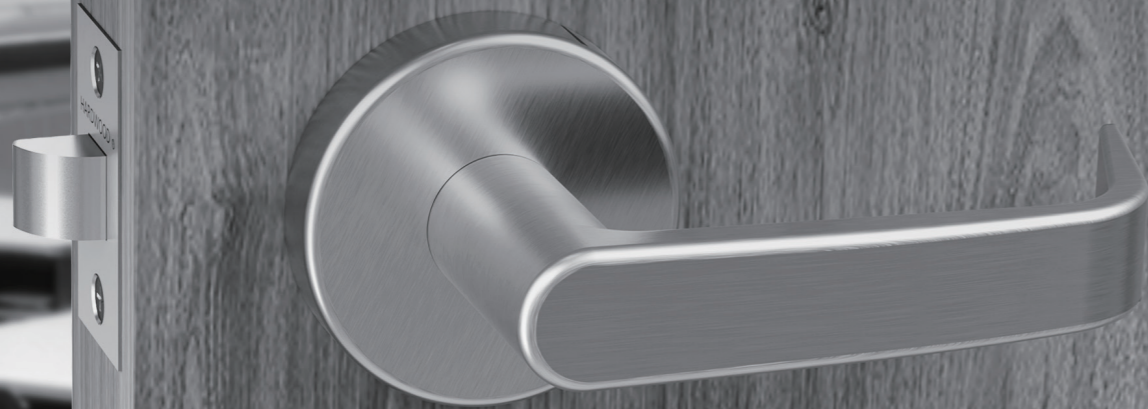
FIRE SAFETY COMPLIANCE

UL 10C listed 3-hour fire rating enhances safety and meets building codes.



PREMIUM MATERIALS

Stainless steel levers and latch for strength and corrosion resistance



APPLICATION SCENARIOS



Campus



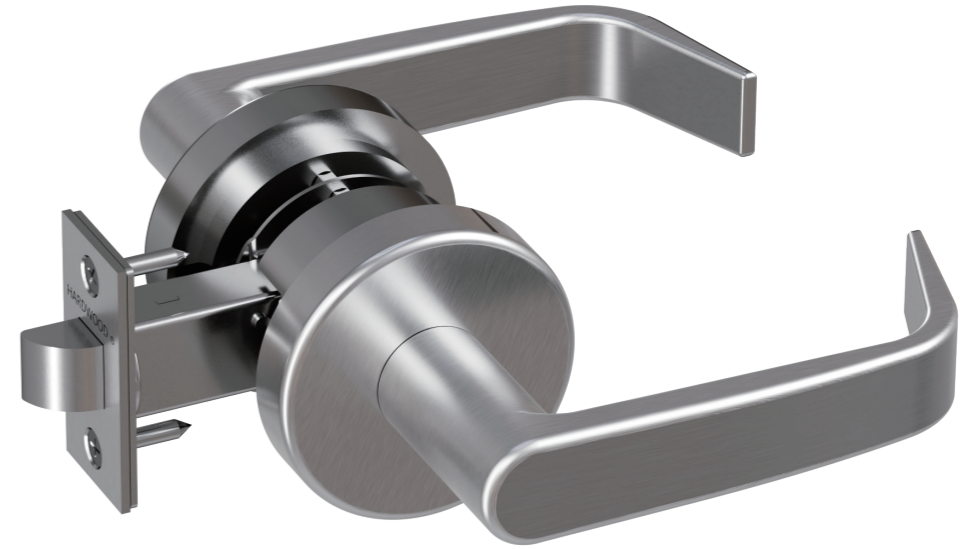
Senior living facilities



Office buildings



Apartment



US32D



US4



US10B



Multi Finishes

SPECIFICATIONS

Door thickness

For doors 1-3/4" (45mm) to 2-1/4" (57mm) thick standard

Backset

2-3/8" (60mm), 2-3/4" (70mm), 5" (127mm), 7" (178mm)

Latch bolt

SS303/Brass
A156.36 Grade 1-Mortise and Rim locks
1/2" (12.7mm) projection

Lock housing

SS304

Strike

SS304 4-7/8" ANSI curved lip strike
2-3/4" curved lip T-strike

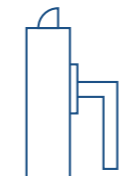
Handing

Non-handed, latch bolt field reversible

FUNCTION



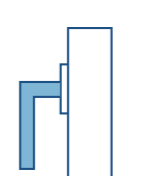
Passage or closet latch



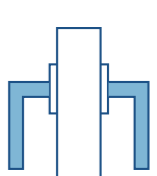
Communicating



Privacy

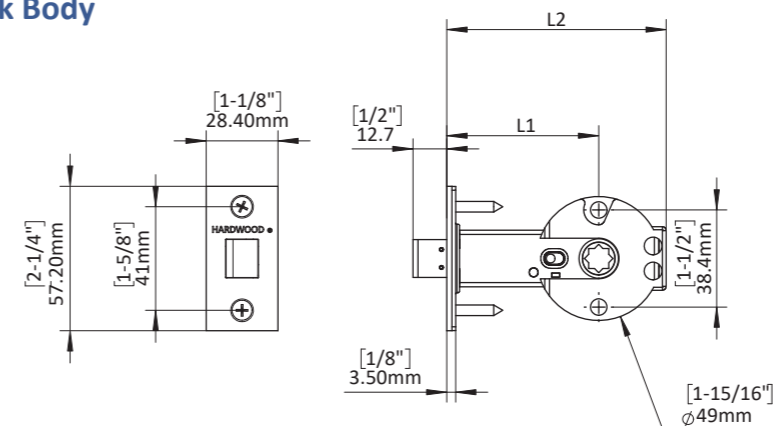


Single dummy trim



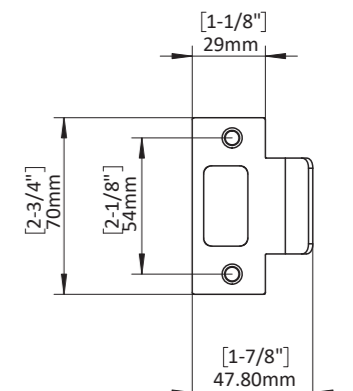
Double dummy trim

Lock Body

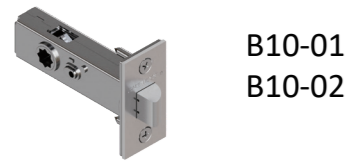


L1	2 3/8"	2 3/4"	5"	7"
L2	3 7/16"	3 13/16"	6 1/16"	8 1/8"

Strike



Lock Configuration



B10-01
B10-02



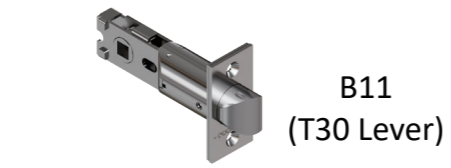
B10-03



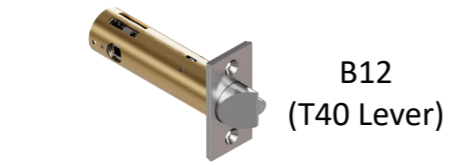
B10-01F



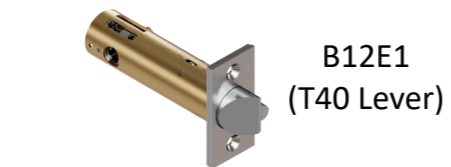
B10-03F



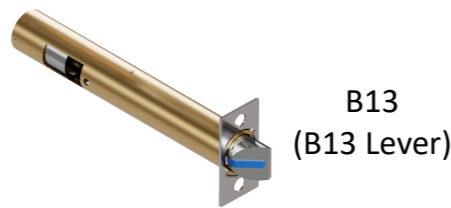
B11
(T30 Lever)



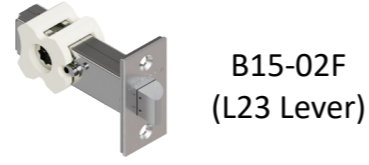
B12
(T40 Lever)



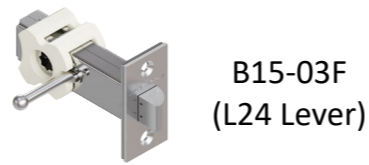
B12E1
(T40 Lever)



B13
(B13 Lever)



B15-02F
(L23 Lever)



B15-03F
(L24 Lever)

Lever Options

B10 Series



T30



T40



L23/24

B20 Series



L22



L21



L71

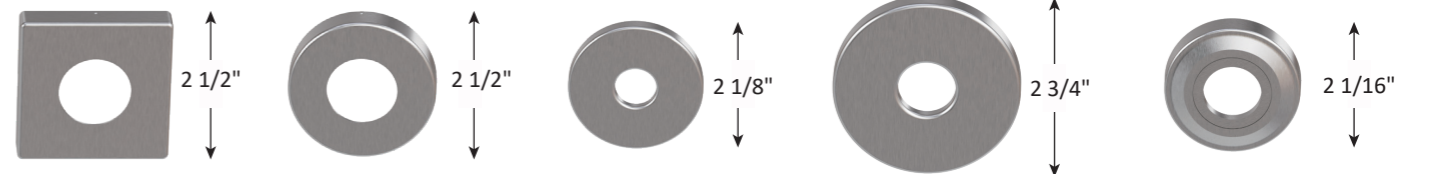


L72

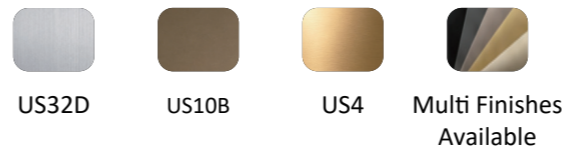
Healthcare trims



B13



US32D US10B US4 Multi Finishes Available



US32D US10B US4 Multi Finishes Available

SS303/Zamak 5 solid cast lever
SS304 rose
Various Finishes Available

STAINLESS STEEL LEVER



B20 SERIES

Latch Bolt Lock



GRADE 1 SECURITY

Meets the highest industry standards for durability, security, and performance.



FIRE SAFETY COMPLIANCE

UL 10C listed 3-hour fire rating enhances safety and meets building codes.



PREMIUM MATERIALS

Stainless steel levers and lock body for strength and corrosion resistance



APPLICATION SCENARIOS



Campus



Senior living facilities



Office buildings



Apartment

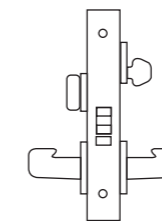


FUNCTION

F04

ENTRY LOCK

For exterior entry doors. Keyed outside, turn/push-button lock inside.



US32D



US4



US10B



Multi Finishes

SPECIFICATIONS

Door thickness

For doors 1-3/8" (35mm) to 2-3/16" (55mm)

Backset

2-3/4" (70mm)

CTC

Lever to cylinder distance 2-31/32" (75mm)

Lock body

SS304, thickness 3/32" (2.5mm)

Latch bolt

SS303 cast
A156.13 Grade 1 latch bolt projection 3/4" (19mm)

Cylinder

A12 Φ 1-1/8" cylinder
C28000 brass, satin nickel face
6 pin, 3 keys

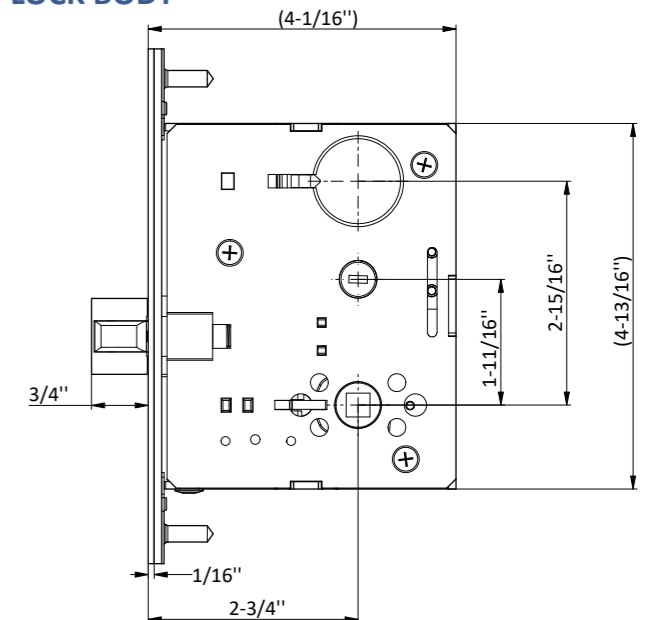
Strike

SS304 4-7/8" ANSI curved lip strike
Thickness 5/64" (2mm)

Handing

Non-handed, latch bolt field reversible

LOCK BODY



C10 SERIES

Dead Bolts Lock



GRADE 1 SECURITY

Meets the highest industry standards for durability, security, and performance.



FIRE SAFETY COMPLIANCE

UL 10C listed 3-hour fire rating enhances safety and meets building codes.



PREMIUM MATERIALS

Solid SS304 trims and stainless steel dead bolt for strength and corrosion resistance.



APPLICATION SCENARIOS



Campus



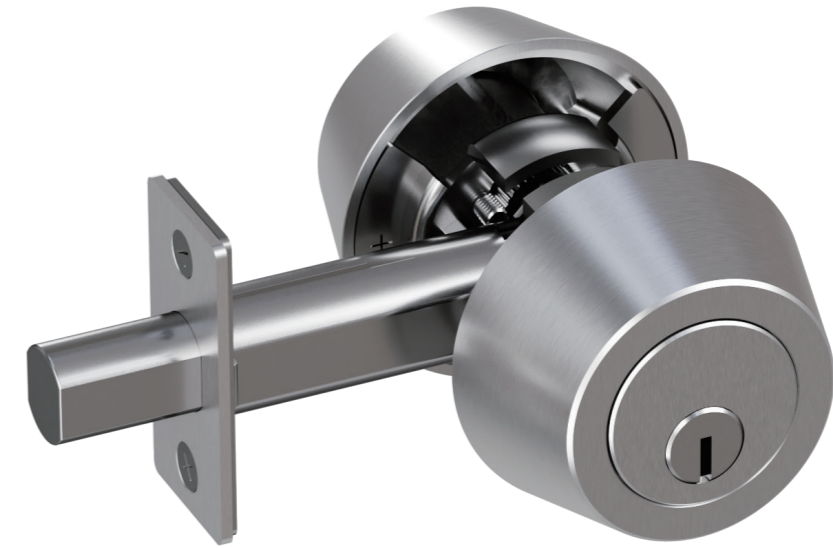
Senior living facilities



Office buildings



Apartment



US32D



US4



US10B



Multi Finishes

SPECIFICATIONS

Door thickness

For doors 1-1/2" (38mm) to 1-7/8" (48mm)

Backset

2-3/4" (70mm)

Dead bolt

17-4PH stainless steel
A156.36 all grade bored locks
1" (25.4mm) projection

Lock housing

SS304

Cylinder

Ø1-1/8" cylinder
C28000 brass, satin nickel face
5 pin, 3 keys

Strike

SS304 deadbolt strike
2-3/4" x 1-1/8" x 1/16"
(70x29x2mm)

Handing

Non-handed

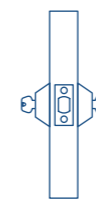
FUNCTION

T20
E0151



Entry

T21
E0141



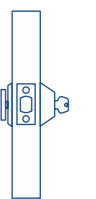
Jail

T22
E0191



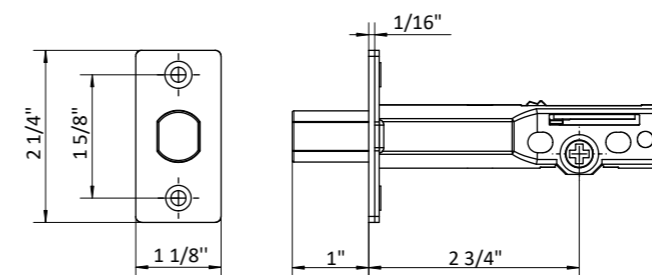
Bathroom
Public restroom

T23
E0151

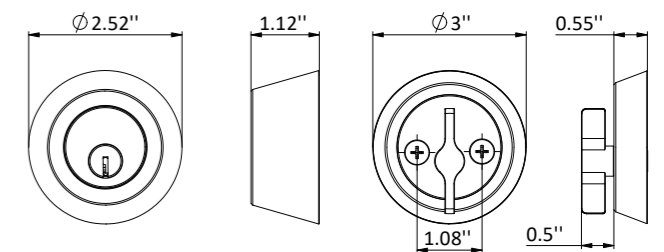


Bank
Strong room

LOCK BODY



TRIM



C10 trim Options

C10 Deadbolt Lock



C10 (2-3/4")



C11 (2-3/8")



C11 (2-3/4")

Cylinder details



A11



A10



US32D US10B US4 Multi Finishes Available

C10 Trim Details



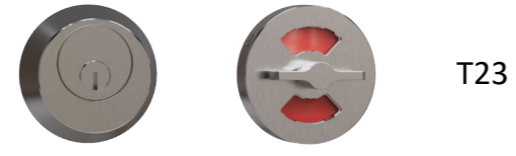
T20



T21



T22

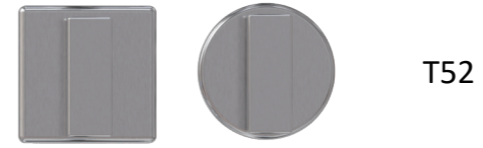


T23

• Material SS303/SS304
• Various Finishes available

C20 trim Options

C20 Thumb Turn Options



T52



T53



T69



T72

Cylinder



A12

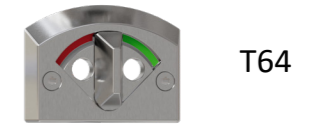


US32D US10B US4 Multi Finishes Available

C20 Indicator Turn Options



T63



T64



T65



T66

Thumb turn cylinder



T70

• Material SS303/SS304
• Various Finishes available

C20 SERIES

Dead Bolt Lock



GRADE 1 SECURITY

Meets the highest industry standards for durability, security, and performance.



FIRE SAFETY COMPLIANCE

UL 10C listed 3-hour fire rating enhances safety and meets building codes.



PREMIUM MATERIALS

Solid SS304 trims and stainless steel lock body for strength and corrosion resistance.



APPLICATION SCENARIOS



Campus



Senior living facilities



Office buildings



Apartment



US32D



US4



US10B



Multi Finishes

SPECIFICATIONS

Door thickness

For doors 1-3/8" (35mm) to 2-3/16" (55mm)

Backset

2-3/4" (70mm)

CTC

Thumb turn to cylinder distance 1-31/32" (35.7mm)

Dead bolt

17-4PH stainless steel
A156.36 all grade bored locks 1" (25.4mm) projection

Lock body

SS304

Cylinder

A12 Φ 1-1/8" cylinder
C28000 brass, satin nickel face
6 pin, 3 keys

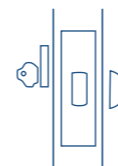
Strike

SS304, 3-1/2" strike, available with regular and heavy duty options

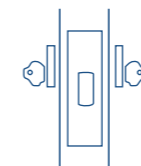
Handing

Non-handed except C2029

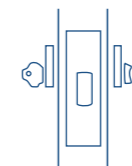
FUNCTION



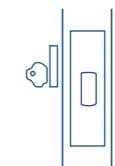
C2017 (F17)



C2016 (F16)



C2029 (F29)

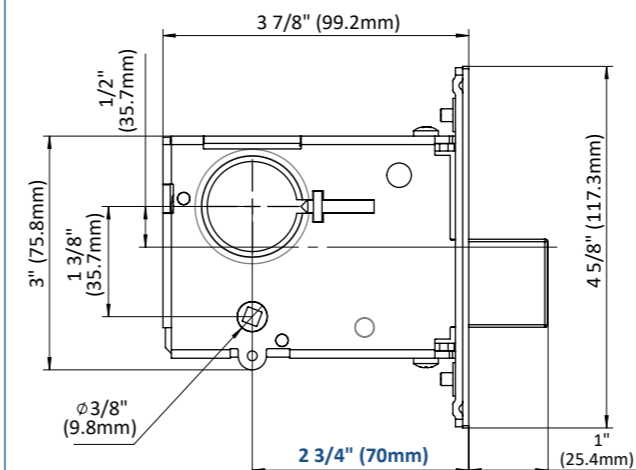


C2018 (F18)

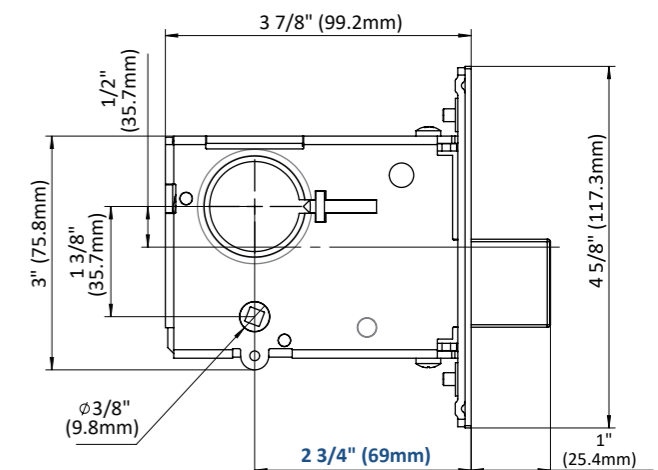


C2000

LOCK BODY



(1)



(2)

Hospital Latch



ADA COMPLIANCE

Anti-ligature design to enhance user safety and support secure, compliant environments.



GRADE 1 SECURITY

Meets the highest industry standards for durability, security, and performance.



FIRE SAFETY COMPLIANCE

UL 10C listed 3-hour fire rating enhances safety and meets building codes.



PREMIUM MATERIALS

Stainless steel levers and latch for strength and corrosion resistance.

APPLICATION SCENARIOS



Hospitals



Clinics



Nursing Homes



Mental Health Facilities

L80



US32D



US4



US10B



Multi Finishes

SPECIFICATIONS

Trim

SS304 paddle trim and housing
Push/pull operation
Anti-ligature
ADA compliance

Strike

SS304 4-7/8" ANSI curved lip strike
2-3/4" curved lip
T-strike

Latch

B10 series latch bolt
Latch bolt projection 1/2"

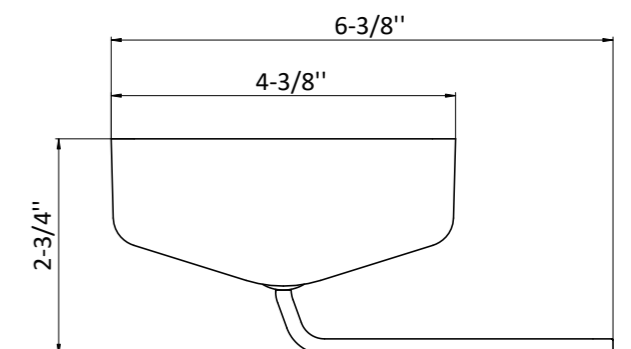
Backset

2-3/8" (60mm)
2-3/4" (70mm)

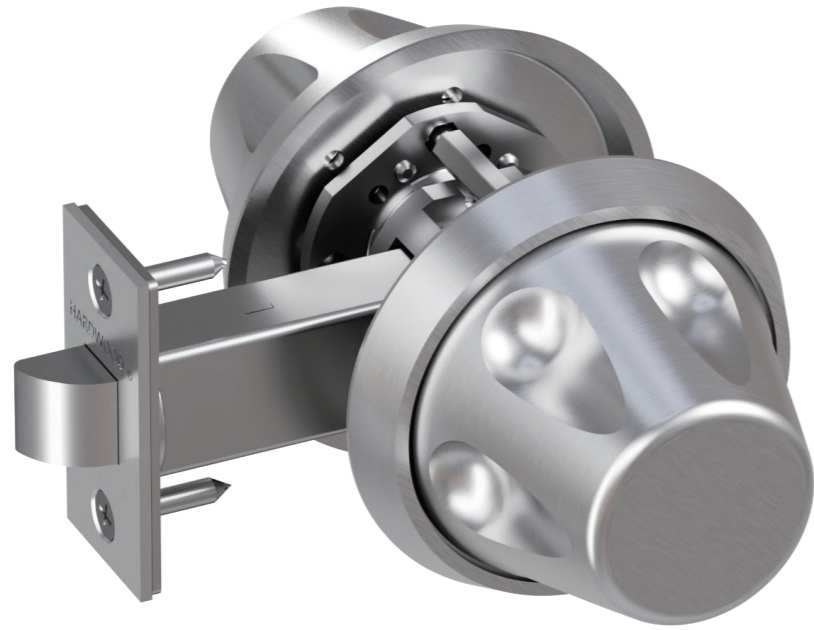
Material & finish

SS304
US32D/US4/US19

DIMENSIONS



L83



SPECIFICATIONS

Trim
Knob trim
Anti-ligature
ADA compliance
SS303 solid cast

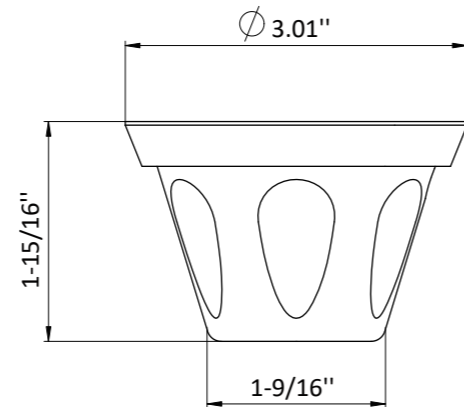
Strike
SS304 4-7/8" ANSI
curved lip strike
2-3/4" curved lip
T-strike

Latch
B10 series latch bolt
Latch bolt
projection 1/2"

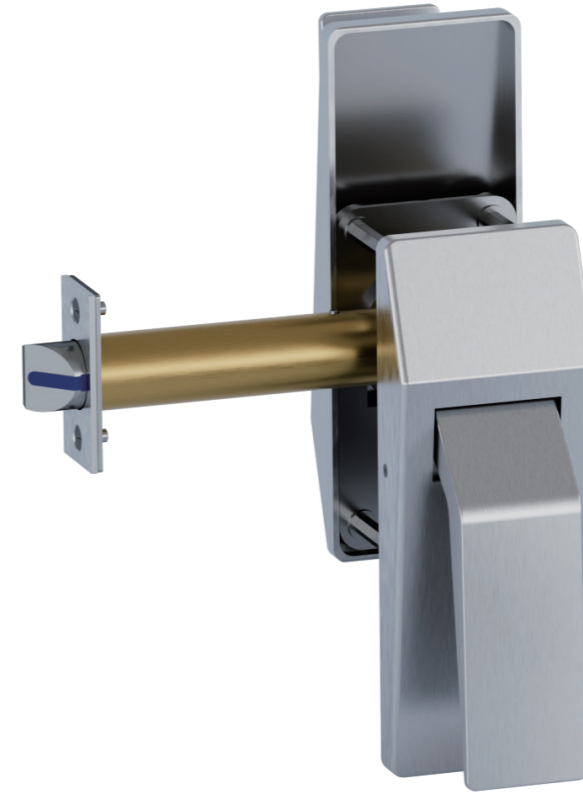
Backset
2-3/8" (60mm)
2-3/4" (70mm)

Material & finish
SS304
US32D/US4/US19

DIMENSIONS



B13



SPECIFICATIONS

Trim
SS304 paddle trim
and housing
Push/pull operation
Anti-ligature
ADA compliance

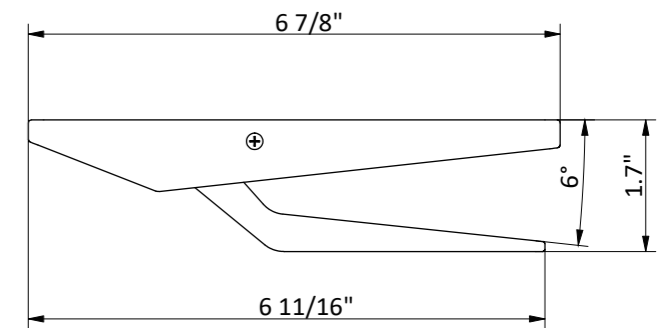
Latch
B13 latch bolt
Latch bolt
projection 1/2"

Backset
4-13/16" (122mm)

Material & finish
SS304
US32D/US4/US19

Strike
SS304 4-7/8" ANSI
curved lip strike
2-3/4" curved lip
T-strike

DIMENSIONS





ADA
COMPLIANT
American Disabilities Act



SPECIFICATIONS

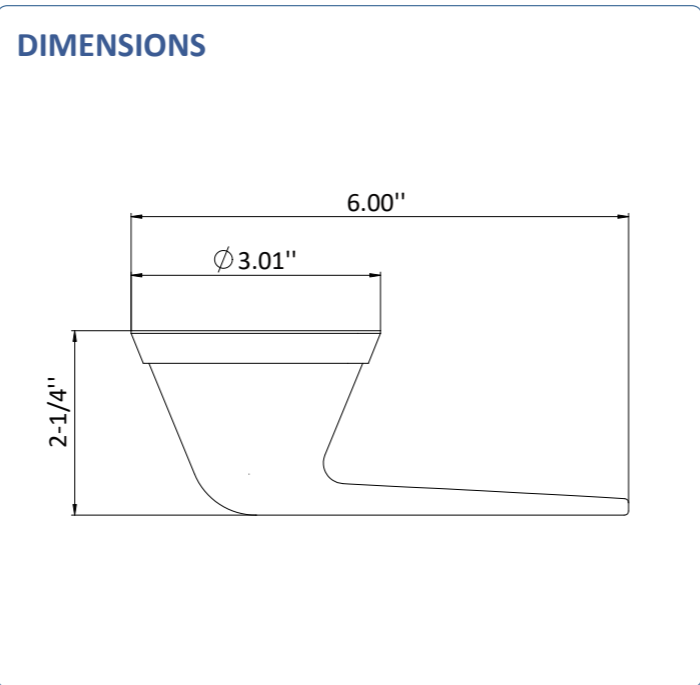
Trim
Anti-ligature lever
ADA compliance
SS303 solid cast

Strike
SS304 4-7/8" ANSI
curved lip strike
2-3/4" curved lip
T-strike

Latch
B10 series latch bolt
Latch bolt
projection 1/2"

Backset
2-3/8" (60mm)
2-3/4" (70mm)

Material & finish
SS304
US32D/US4/US19



ADA COMPLIANT.
Anti-ligature
Safety Handle

Hardwood management team recognizes and deeply understands that innovation and continuous improvement are key driven force for the company. We keep investing in R&D activities and have clearly defined growing annual budget for it. Engineers are using modern software, to design internal structure and esthetic appearance.

We keep following new trends, products and techniques in the door control industry. Every quarter Hardwood has regular seminar on new products / trends and each year we set a plan to launch numerous new products.



Customer-Focused Innovation

We collaborate closely with our customers to turn ideas into practical, high-value hardware solutions.



Advanced Engineering & Simulation

Using 3D CAD, FEA, and motion simulation, we validate design performance and optimize for real-world applications.



Prototyping & Testing

In-house prototyping and testing capabilities support design verification, functional evaluation, and performance validation to ensure reliability and product quality before mass production.



Design for Manufacturability (DFM)

We evaluate every detail to ensure efficient production, consistent quality, and cost-effective results.



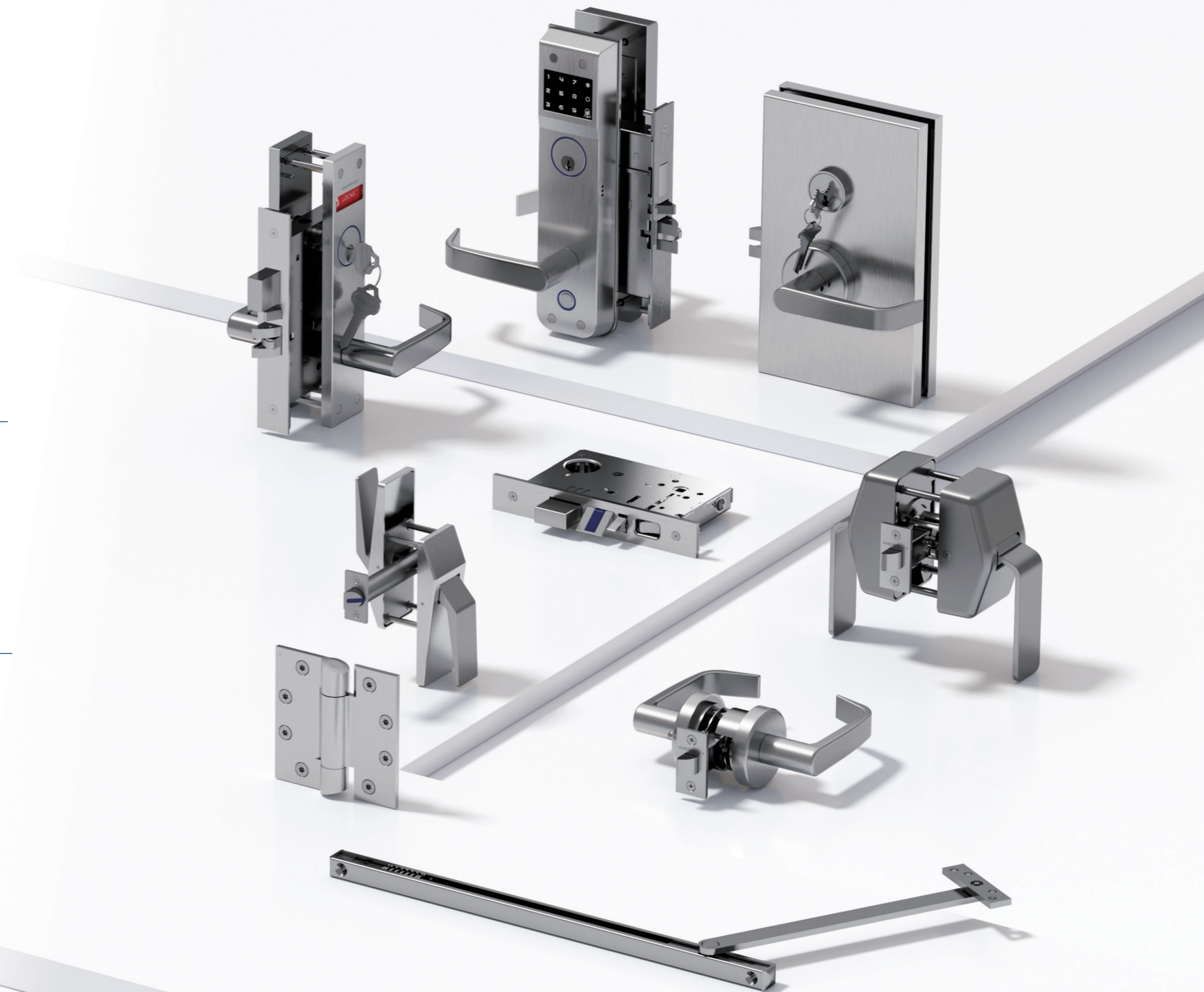
Quality & Reliability

Ensured through strict material control, standardized processes, and comprehensive testing at every production stage to deliver consistent performance and durability.



Continuous Improvement

We invest in tools, talent, and processes to continuously drive innovation and improve performance outcomes.



SOLUTIONS

Solutions tailored for modern door hardware and access control applications. Engineered to deliver security, durability, and seamless user experience.



Campus



Residential



Government



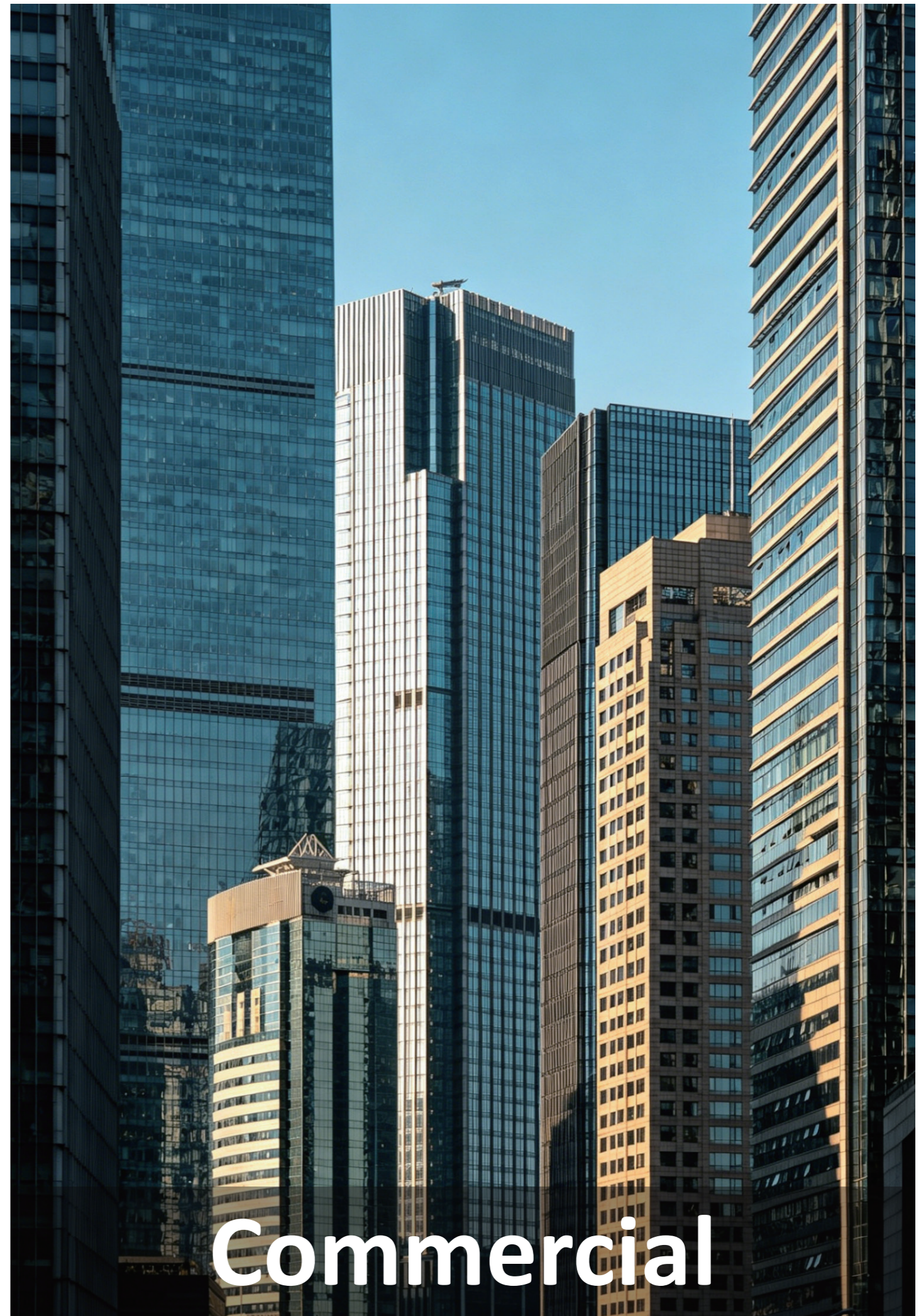
Healthcare



Banking



Airport



Commercial