

B10 Series

Latch Bolt Lock



Description



The B10 Series is an auxiliary latch bolt lock engineered to fully comply with ANSI/BHMA A156.36 functional specifications. It meets and exceeds the standard's demanding cycle performance requirements, ensuring exceptional durability and reliability.

Ideal for passage, privacy, and dummy trim applications, it delivers consistent performance and long-term security for both commercial and residential applications

Application

- High-traffic commercial and public institutional spaces
- Office buildings
- Schools, and universities
- Healthcare facilities
- Manufacturing plants
- Government buildings

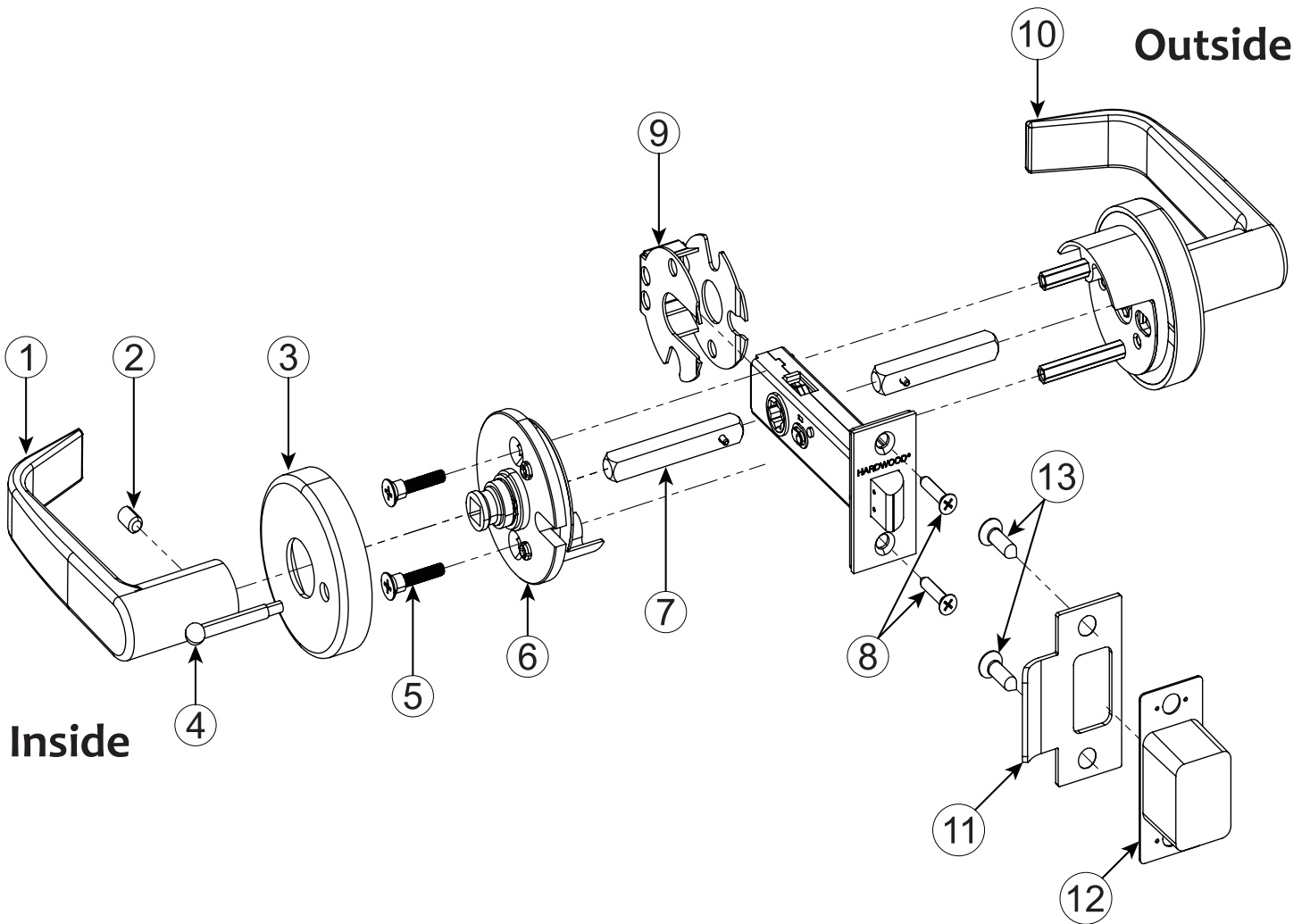
Certification & Compliance

	ANSI/BHMA A156.36 Grade 1 certified. 500,000 cycles
	UL/cUL 10C listed for 3 hour fire rating

How to order

Specify	Backset	Finishes	Function/Model no.	Lever & Rose	Strike
Example	2 3/4"	US32D	B10-03F	L17A1	ST01
Page	P4	P4	P5	P6	P6~7

Product Components

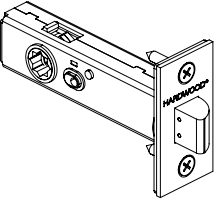
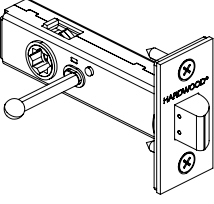
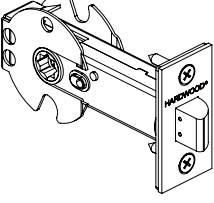
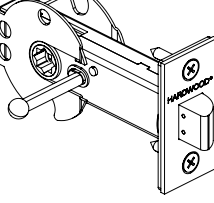


No.	Description	Qty.
1	Lever	1
2	Set screw	1
3	Rose assembly	1
4	Push button	1
5	#8-32UNC×1" screw	2
6	Inside spring housing	1
7	Turn spindle	2
8	PH Flat #8-32×3/4"+#8 wood screw thread	2
9	Fire bracket	1
10	Outside lever assembly	1
11	Strike	1
12	Strike box	1
13	PH Flat #12-24×3/4"+#12 wood screw thread	2

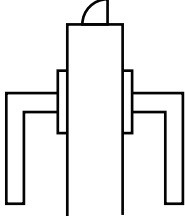
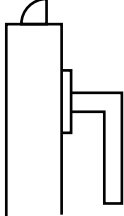
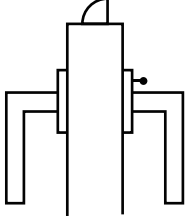
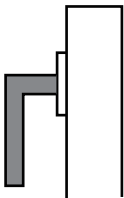
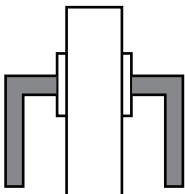
Specifications

Door preparation	ANSI/BHMA A156.115/A156.115W
Door thickness	For doors 1-3/4" (45mm) to 2-1/4" (57mm) thick standard
Minimum stile	4-1/2" (114mm)
Backset	2-3/8" (60mm), 2-3/4" (70mm), 5" (127mm), 7" (178mm)
Latch throw	A156.36 Grade 1-Mortise and Rim locks 1/2" (12.7mm) projection
Face plate	SS304, 2-1/4"×1-1/8"×5/64" (57×29×2mm)
Bolt	Square corner latch bolt, Brass, chrome plated, direction reversible
Housing	SS304
Lever	SS303 solid cast
Rose	SS304 square or round
Strike	SS304 4-7/8" ANSI curved lip strike, 2-3/4" curved lip T-strike
Strike box	PA66
Handing	Non-handed, latch bolt bevel is field reversible
Finishes	US32D

Lock Configuration

Picture	Model no.	Accessories	Match lever
	B10-01 B10-02	—	T30
	B10-03	Locking button	T30
	B10-01F	Fire bracket	L17/L30/L70
	B10-03F	Locking button Fire bracket	L17/L30/L70

Function

Picture	Model no.	Function	ANSI no.	Description
	B10-01/01F	Passage or closet latch	F75	<ul style="list-style-type: none"> • Both levers retract latch • Ideal for passage or closet
	B10-02/02F	Communicating	F111	<ul style="list-style-type: none"> • Blank rose outside • Lever retracts latch
	B10-03/03F	Privacy	F76A	<ul style="list-style-type: none"> • I/S lever always retracts latch • O/S lever retracts latch, except when locked by inside push button • O/S unlocked by operating I/S lever or closing door • Ideal for bathrooms & home offices
	B10-04	Single dummy trim	—	<ul style="list-style-type: none"> • Lever always rigid • No latch included • Ideal for pantries & closets • Surface Mounted*
	B10-05	Double dummy trim	—	<ul style="list-style-type: none"> • Levers always rigid • No latch included • Ideal for sliding doors • Through-bolted


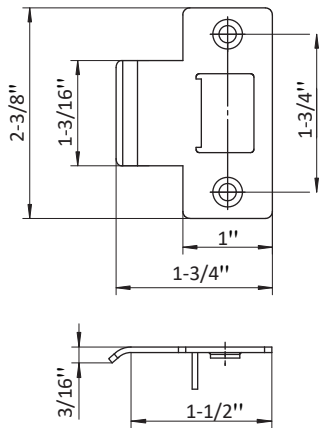
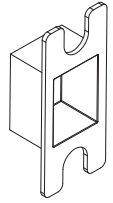
Lever details

<p>T30A0</p>			<ul style="list-style-type: none"> • T30A0 lever SS303 solid cast • Round rose Φ2-5/8" (67mm) SS304
<p>T30A1</p>			<ul style="list-style-type: none"> • T30A1 lever SS303 solid cast • Square rose 2-11/16" x 2-1/2" (68mm x 68mm) SS304

Strike Options

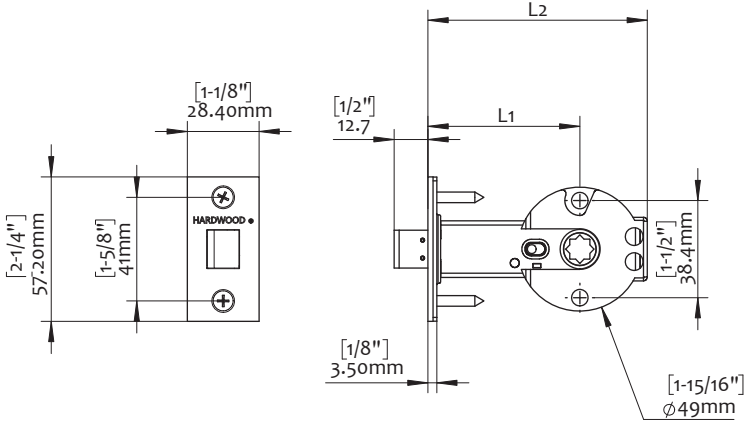
			<p>ST01</p> <ul style="list-style-type: none"> • 4-7/8" (124mm) ANSI curved lip strike SS304. • 1-1/16" (27mm) curved lip from center of strike screw holes to end of lip. • Strike box 4-13/16" x 1" x 1" (122 x 26 x 26mm), PA66
			<p>ST02 *Standard</p> <ul style="list-style-type: none"> • 2-3/4" (70mm) curved lip "T" strike SS304. • 1-1/4" (32mm) curved lip from center of strike screw holes to end of lip. • Strike box 2-11/16" x 1-1/8" x 1" (69 x 28.5 x 26mm), PA6

Strike Options(cont.)

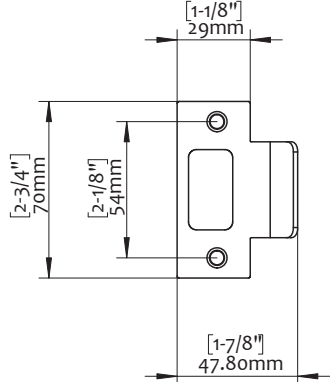
			<p>*ST07 Standard</p> <p>2-3/8" (60mm) curved lip "T" strike SS304. 1-5/16" (33mm) curved lip from center of strike screw holes to end of lip. Strike box 2-9/32"x1"x21/32" (58x25x16.5mm), PP</p>
-----------------------------------------------------------------------------------	-----------------------------------------------------------------------------------	-----------------------------------------------------------------------------------	------------------------------------------------------------------------------------------------------------------------------------------------------------------------------------------------------------------------------

Installation dimensions

Lockbody



Strike



L1	L2
2 3/8"	3 7/16"
2 3/4"	3 13/16"
5"	6 1/16"
7"	8 1/8"