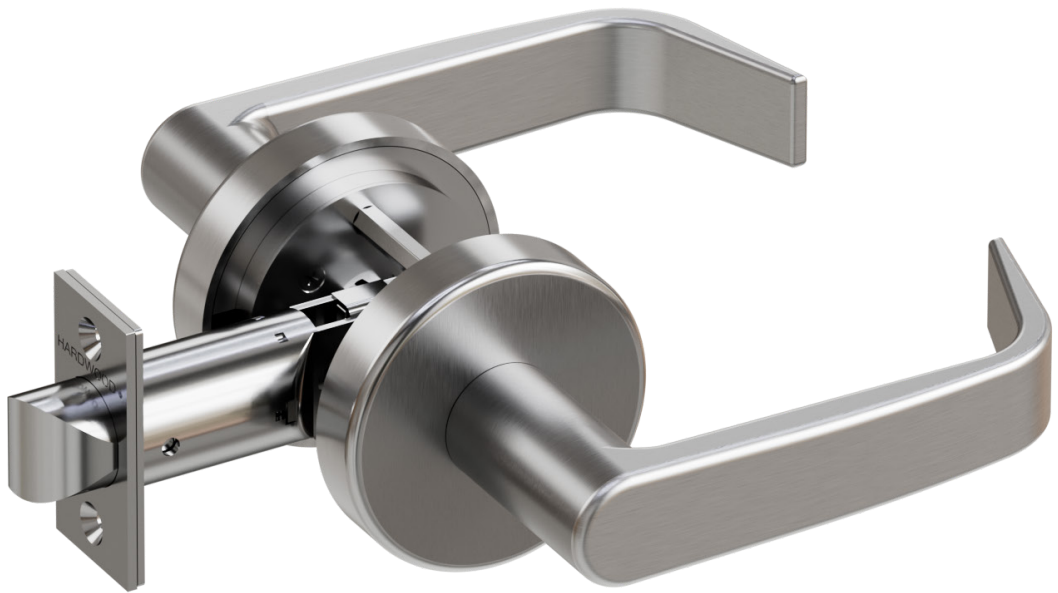


B11 Series

Latch Bolt Lock





Description

The B11 Series is an auxiliary latch bolt lock designed to fully comply with the functional specifications of ANSI/BHMA A156.36. It meet and exceed the rigorous cycle performance standards of Grade 1, ensuring exceptional durability and reliability. This lock is ideal for use as a passage lock, closet lock, or dummy trim only, providing superior performance and long-term security for both commercial and residential applications.

Application

- High-traffic commercial and public institutional spaces
- Office buildings
- Schools, and universities
- Healthcare facilities
- Manufacturing plants
- Government buildings

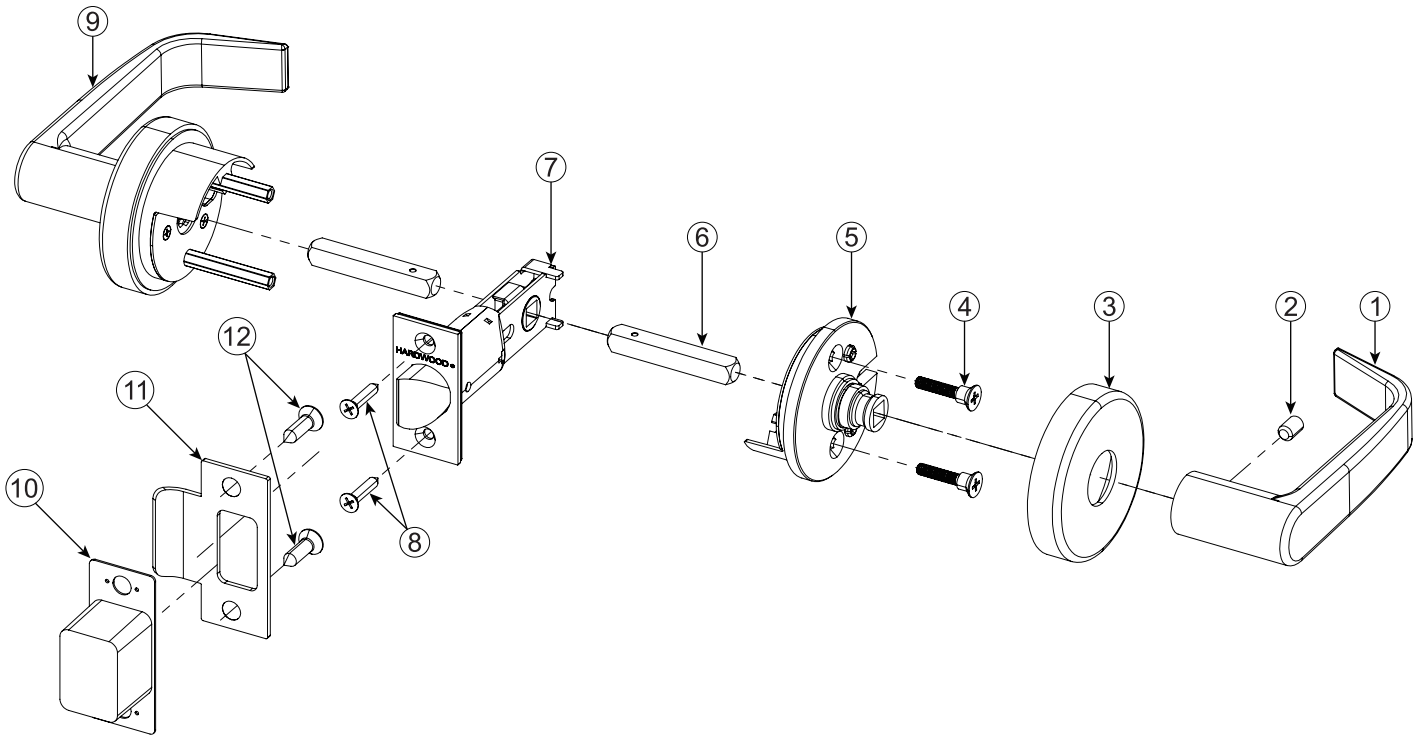
Certification & Compliance

	ANSI/BHMA A156.36 Grade 1 certified. 500,000 cycles
	UL/cUL 10C listed for 3 hour fire rating

How to order

Specify	Backset	Finishes	Function/Model no.	Lever & Rose	Strike
Example	2 3/4"	US32D	B11-01	T30A1	ST01
Page	P4	P4	P4	P5	P5

Product Components

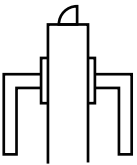
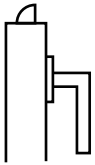

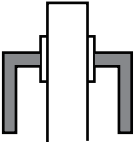


No.	Description	Qty.
1	Lever	1
2	Set screw	1
3	Rose assembly	1
4	#8-32UNC x 1 " screw	2
5	Inside spring housing	1
6	Turn spindle	2
7	PH flat #8-32 x 3/4 " + #8 wood screw thread	2
8	Latch	1
9	Outside lever assembly	1
10	Strike	1
11	Strike box	1
12	PH Flat #12-24 x 3/4 " + #12 wood screw thread	2

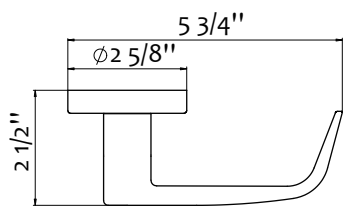

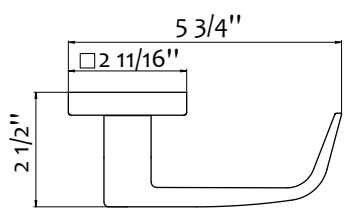

Specifications

Door preparation	ANSI/BHMA A156.115W / A156.115
Door thickness	For doors 1-3/4" (45mm) to 2-1/4" (57mm) thick standard
Minimum stile	4-1/2" (114mm)
Backset	2-3/8" (60mm), 2-3/4" (70mm), 5" (127mm), 7" (178mm)
Latch throw	A156.36 Grade 1-Mortise and Rim locks 1/2" (12.7mm) projection
Face plate	SS304, 2-1/4"×1-1/8"×1/16" (57mm×29mm×1.5mm)
Latchbolt head	SS303 round corner latch bolt
Housing	SS304
Lever	SS303 solid cast
Rose	SS304 square or round
Strike	SS304 4-7/8" ANSI curved lip strike, 2-3/4" curved lip T-strike
Strike box	PA66
Handing	Non-handed
Finishes	US32D


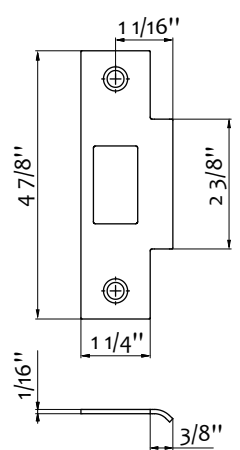
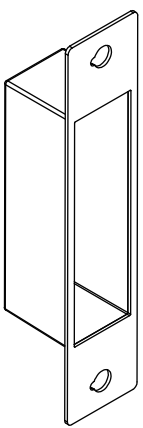

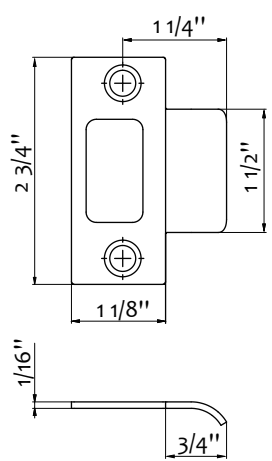
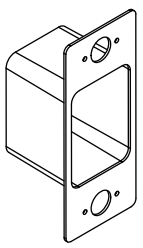
Function

Picture	Model no.	Function	ANSI no.	Description
	B11-01	Passage or closet latch	F75	<ul style="list-style-type: none"> • Both levers retract latch • Ideal for closets & passages
	B11-02	Communicating	F111	<ul style="list-style-type: none"> • Blank rose outside • Lever retracts latch
	B11-03	Single dummy trim	—	<ul style="list-style-type: none"> • Lever always rigid • No latch included • Ideal for pantries & closets • Surface Mounted*
	B11-04	Double dummy trim	—	<ul style="list-style-type: none"> • Levers always rigid • No latch included • Ideal for sliding doors • Through-bolted

Lever details

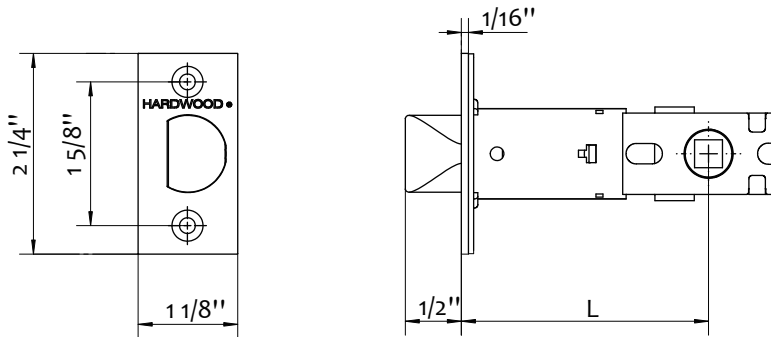
<p>T30A0</p>			<ul style="list-style-type: none"> • T30A0 lever SS303 solid cast • Round rose Φ2-5/8" (67mm) SS304
<p>T30A1</p>			<ul style="list-style-type: none"> • T30A1 lever SS303 solid cast • Square rose 2-11/16" x 2-11/16" (68mm x 68mm) SS304

Strike Options

			<p>ST01</p> <ul style="list-style-type: none"> • 4-7/8" (124mm) ANSI curved lip strike SS304. • 1-1/16" (27mm) curved lip from center of strike screw holes to end of lip. • Strike box 4-13/16" x 1" x 1" (122x26x26mm), PA66
			<p>ST02 *Standard</p> <ul style="list-style-type: none"> • 2-3/4" (70mm) curved lip "T" strike SS304. • 1-1/4" (32mm) curved lip from center of strike screw holes to end of lip. • Strike box 2-11/16" x 1-1/8" x 1" (69x28.5x26mm), PA6

Installation dimensions

Lockbody



L = 2 3/4" | 5" | 7"

Strike

