

B15 Series

Latch Bolt Lock



Description



The B15 Series is an auxiliary latch bolt lock engineered to deliver reliable security and smooth operation in a wide range of applications. Designed to comply with ANSI/BHMA A156.36 specifications and achieve Grade 1 performance, it provides outstanding durability, strength, and long-term reliability under demanding conditions.

Available for passage, privacy, or lever-pull-only functions, the B15 Series offers versatile solutions to suit various operational needs. Ideal for both commercial and residential environments, it ensures dependable performance, consistent functionality, and lasting security.

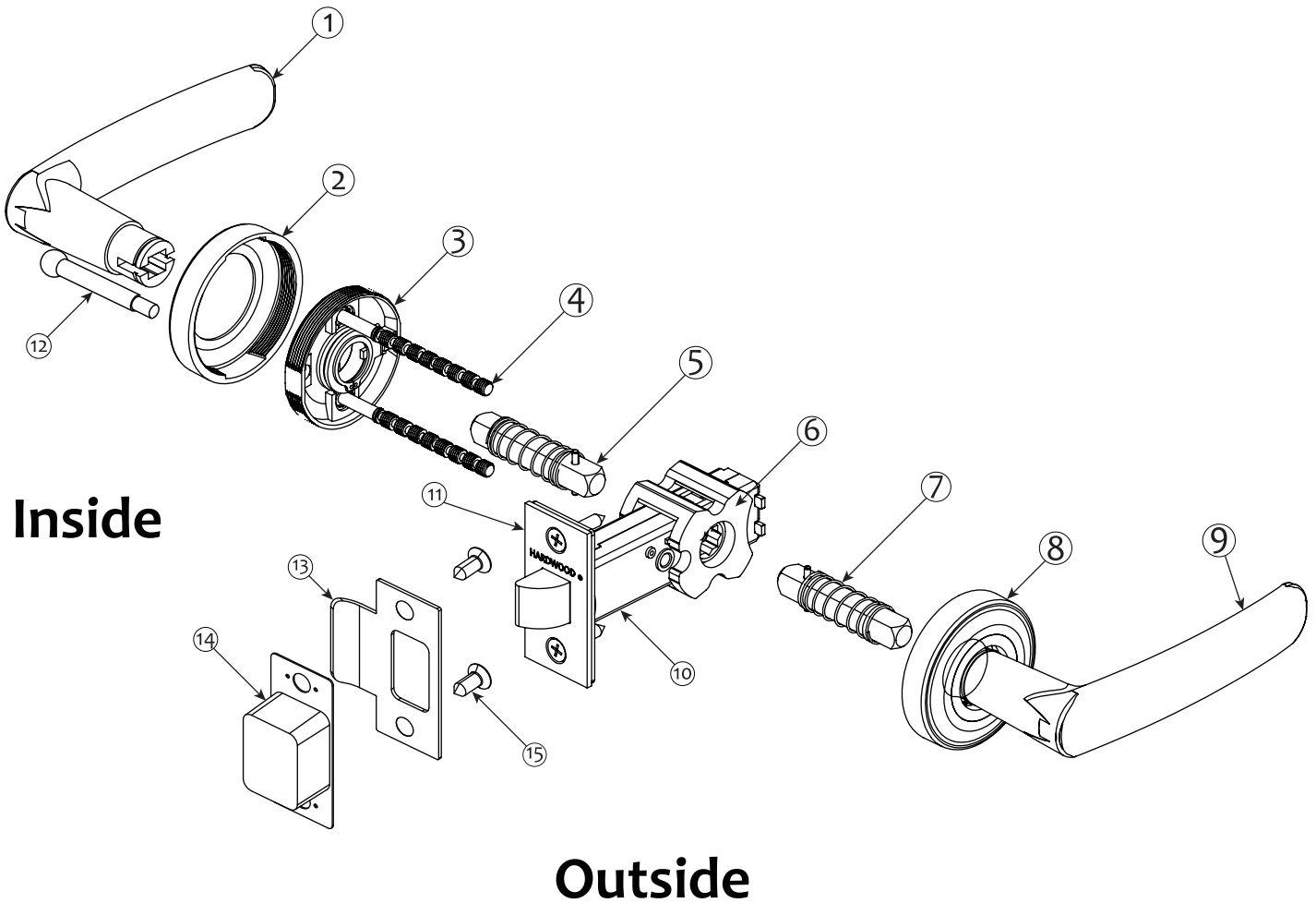
Application

- High-traffic commercial and public institutional spaces
- Office buildings
- Schools, and universities
- Healthcare facilities
- Manufacturing plants
- Government buildings

Certification & Compliance

	<p>Certified with ANSI/BHMA A156.36 Grade 1 function, strength and security. Tested over 500,000 cycles.</p>
	<p>UL/cUL listed-up to 3 hours positive pressure fire rating for door assemblies.</p>

Product Components



Inside

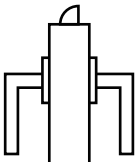
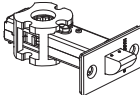
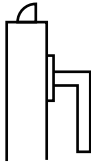
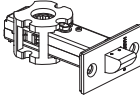
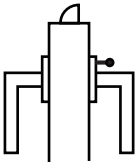
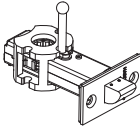
Outside

No.	Description
1	Inside lever
2	Inside rose
3	Inside spring housing assembly
4	Breakaway HEX screw
5	Inside spindle assembly
6	Fire door bracket
7	Outside spindle assembly
8	Outside rose assembly
9	Outside lever
10	Latch bolt
11	PH #8-32x3/4"+#8 wood screw
12	Push button
13	Strike
14	Strike box
15	PH #12-24x3/4"+#12 wood screw

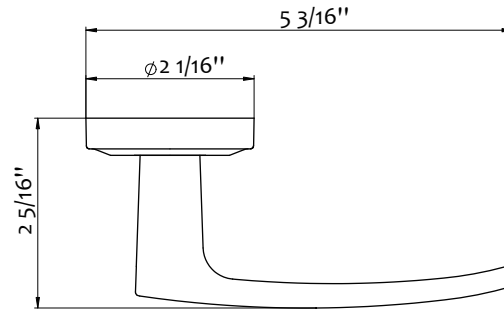
Specifications

Door preparation	ANSI/BHMA A156.115
Door thickness	For doors 1-3/4" (45mm) to 2-1/4" (57mm) thick standard
Minimum stile	4-1/2" (114mm)
Backset	2-3/8" (60mm), 2-3/4" (70mm), 5" (127mm), 7" (178mm)
Latch throw	A156.36 Grade 1-Mortise and Rim locks 1/2" (12.7mm) projection
Face plate	SS304, 2-1/4"×1-1/8"×5/64" (57×29×2mm)
Bolt	Square corner latch bolt, Brass, chrome plated, direction reversible
Housing	SS304
Lever	ZAMAK 5 Zinc alloy, US26/US26D
Rose	SS304 round rose
Strike	SS304 4-7/8" ANSI curved lip strike; 2-3/4" curved lip T-strike
Strike box	PA66
Handing	Non-handed, latch bolt bevel is field reversible
Finishes	US32D

Function

Picture	Model no.	Function	Accessories	Description
	B15-01F	F75 Passage or closet latch	 Fire bracket	<ul style="list-style-type: none"> • Both levers retract latch • Ideal for closets & bedrooms
	B15-02F	F111 Communicating	 Fire bracket	<ul style="list-style-type: none"> • Blank rose outside • Lever retracts latch
	B15-03F	F76A Privacy	 Fire bracket & push button	<ul style="list-style-type: none"> • I/S lever always retracts latch • O/S lever retracts latch unless locked by inside push button • O/S unlocks by operating I/S lever or closing door

Lever details




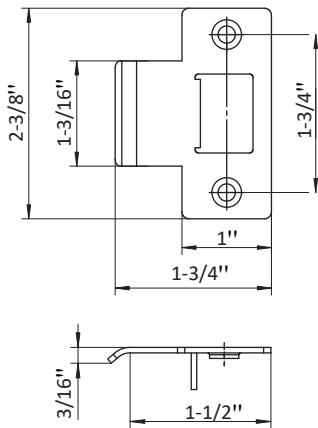
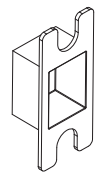
L24A0 lever

- ZAMAK 5 zinc alloy, US26/26D
- Round rose 2-1/16" (52mm), SS304

Strike Options

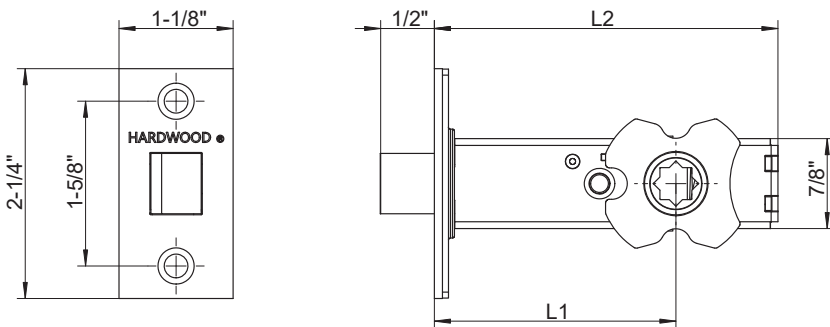
			<p>ST01</p> <ul style="list-style-type: none"> • 4-7/8" (124mm) ANSI curved lip strike SS304. • 1-1/16" (27mm) curved lip from center of strikescrew holes to end of lip. • Strike box 4-13/16" x 1" x 1" (122 x 26 x 26mm), PA66
			<p>ST02 *Standarde</p> <ul style="list-style-type: none"> • 2-3/4" (70mm) curved lip "T" strike SS304. • 1-1/4" (32mm) curved lip from center of strike screw holes to end of lip. • Strike box 2-11/16" x 1-1/8" x 1" (69 x 28.5 x 26mm), PA6

Strike Options(cont.)

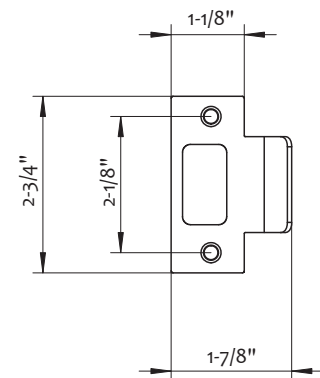
			<p>*ST07 Standard</p> <p>2-3/8" (60mm) curved lip "T" strike SS304. 1-5/16" (33mm) curved lip from center of strike screw holes to end of lip. Strike box 2-9/32"x1"x21/32" (58x25x16.5mm), PP</p>
---	---	---	--

Installation dimensions

Lockbody



Strike



L1	L2
2 3/8"	3 3/8"
2 3/4"	3 3/4"
5"	6"
7"	8"