

B22

Secret Gate Latch



Description

The B22 Secret Gate Latch features a durable brass or stainless steel cast construction with a clean, sleek, and classic design for enhanced security and appearance. Combining timeless styling with reliable functionality, it is an ideal choice for both traditional and contemporary architectural applications. Designed for single-acting gates and doors, the latch is activated by pressing a hidden button located on the upper or underside of the latch case, helping prevent unintended operation while maintaining a streamlined look.

Its reversible design allows for easy installation on either left-hand or right-hand applications, and it is supplied with a matching dummy knob for a complete, coordinated appearance.

Ideal for residential gates, garden entrances, privacy fences, and decorative wood or metal doors, the B22 Secret Gate Latch provides a discreet and reliable latching solution where both security and appearance are important.

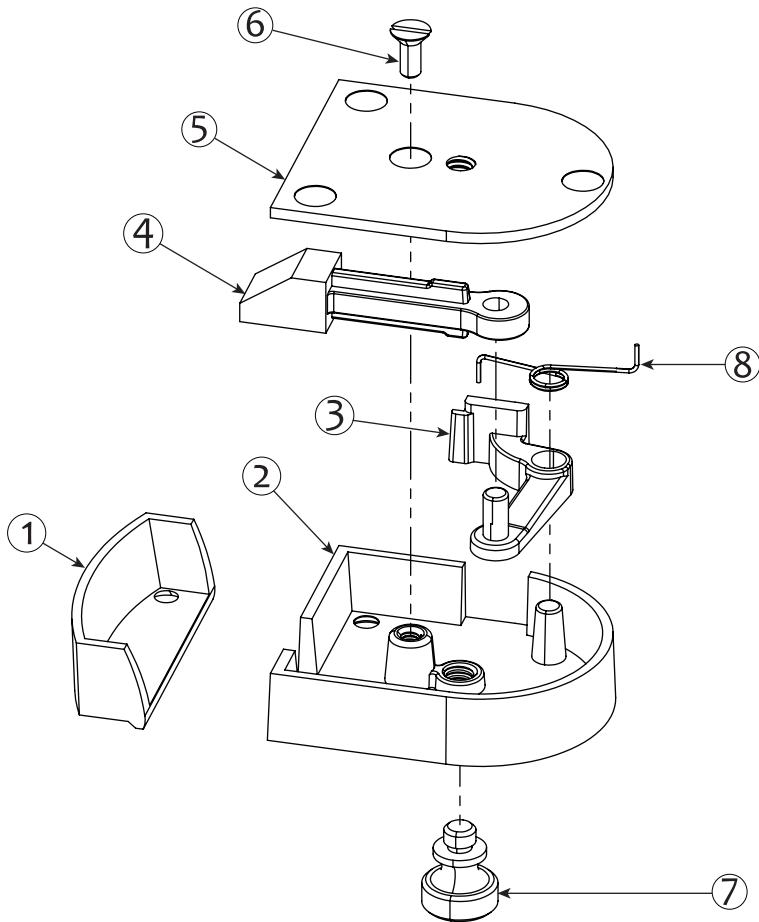
Features & Advantages

- Brass or stainless steel construction for excellent durability and long service life
- Corrosion-resistant materials suitable for interior and exterior applications
- Strong and reliable design provides secure latching performance
- Surface-mounted installation eliminates the need for mortising or complicated door preparation
- Reversible configuration allows use on left-hand or right-hand gates and doors
- Concealed push-button operation offers a clean appearance and added security
- Suitable for wood or metal gates, fence doors, and decorative entry applications

Specifications

Latch body	Height 2-1/16" (53.1mm) Width 2-1/2" (62.9mm) Thickness 11/16" (17.4mm) Material SS303/Brass
Latch bolt	Latch throw 11/32" (8.6mm) Height 1/2" (12.5mm) Thickness 1/2" (12mm) Material SS303/Brass
Strike	Height 2-1/16" (53.1mm) Width 13/16" (19.7mm) Material Brass/ SS303
Handing	Non-handed, latch bolt reversible
Finishes	US32D/US32/US4/US26D/US26/US10B

Product Components



No.	Description
1	Strike
2	Latch body
3	Lever
4	Latch bolt
5	Cap
6	#8-32 screw
7	Knob
8	Spring

Installation Dimensions

