

# C10 Series

## Deadbolt Lock



## Description

The C10 Series deadbolt is a high-security locking solution designed to provide enhanced protection against forced entry. Engineered to meet ANSI/BHMA A156.36 specifications and achieve Grade 1 performance, it delivers exceptional durability and long-term reliability under demanding conditions.



Available in single-cylinder and double-cylinder configurations, and compatible with thumb turns or occupancy indicators, the C10 Series offers flexible options to suit a wide range of functional and security requirements.

Ideal for entry and high-security applications, it ensures consistent performance and dependable protection in both commercial and residential environments.

## Application

- Residential entry doors
- Commercial perimeter doors
- Multi-family and apartment units
- Private offices and restricted rooms
- Government and administrative buildings
- Industrial and utility spaces
- Financial institutions
- Correctional facilities
- High-security rooms

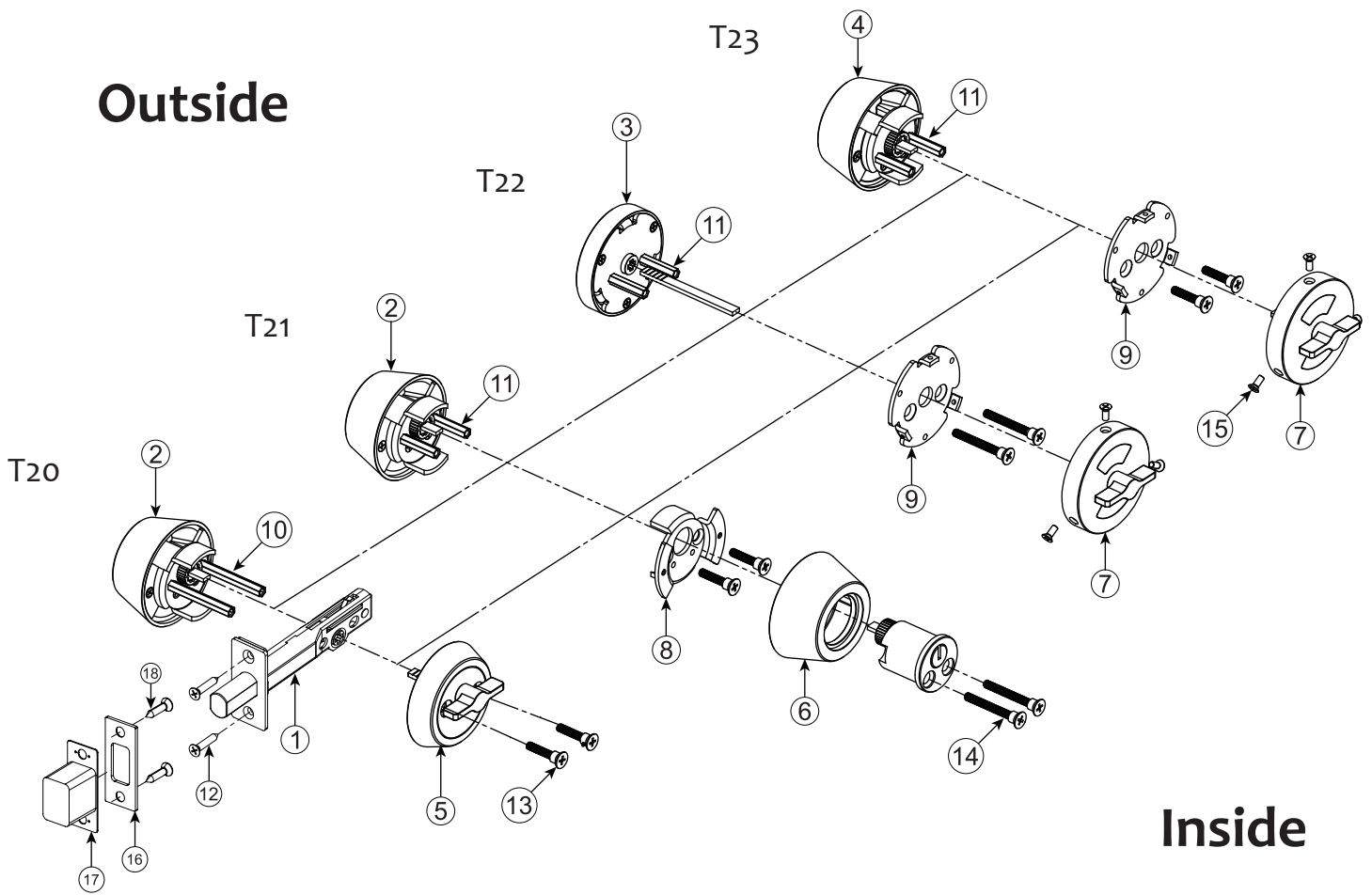
## Certification & Compliance

	ANSI/BHMA A156.36 Grade 1 certified. 250,000 cycles
	UL/cUL 10C listed for 3 hour fire rating

## How to order

Specify	Backset	Finishes	Function & Trim	Inside indicator	Outside indicator	Strike
Example	2 3/4"	US32D	T23	—	ID01	ST03
Page	P4	P4	P5	P6	P6	P8

Product Components

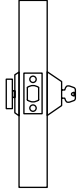
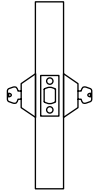
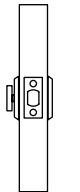
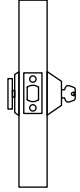


No.	Description	No.	Description
1	Deadbolt assembly	10	Guide pin 1-3/4"
2	Outside cylinder assembly	11	Guide pin 1"
3	Outside indicator trim	12	PH #8-32+#8 wood screw
4	Outside offset cylinder assembly	13	#8-32UNCx1" screw
5	Thumb turn assembly	14	#8-32UNCx1-9/16" screw
6	Inside cylinder assembly	15	#6-32x1/4" set screw
7	Thumb turn with indicator	16	Strike
8	Cylinder support plate	17	Strike box
9	Base plate	18	PH #12-24x3/4"+#12 wood screw

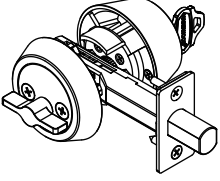
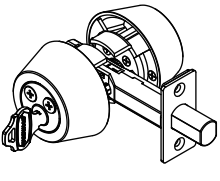
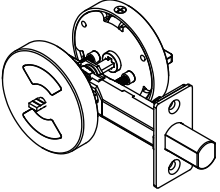
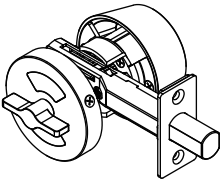
# Specifications

Door preparation	ANSI/BHMA A156.115W / A156.115
Door thickness	For doors 1-1/2" (38mm) to 1-7/8" (48mm) thick standard
Backset	2-3/4" (70mm)
Face plate	SS304, 2-1/4" x 1-1/8" x 5/64" (57mm x 29mm x 2mm)
Deadbolt	17-4PH stainless steel
Deadbolt throw	A156.36 all grade bored locks 1" (25.4mm) projection
Housing	SS304
Cylinder	Brass, 5 pin, 3 keys, satin nickel face
Strike	ST03 deadbolt strike, 2-3/4" x 1-1/8" x 1/16" (70 x 29 x 2mm) SS304
Strike box	PA6
Handing	Non-handed
Finishes	US32D

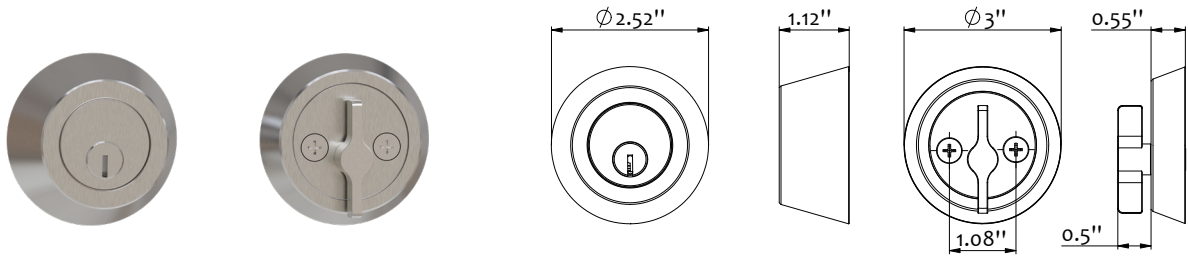
# Function

Picture	Model no.	Functions	ANSI no.	Description
	T20	Entry	E0151	Dead bolt operated by key from outside and by turn from inside
	T21	Jail	E0141	Dead bolt operated by key from either side
	T22	Bathroom Public restroom	E0191	Dead bolt operated by turn from inside, indicator both sides
	T23	Bank Strong room	E0151	Dead bolt operated by key from outside and by turn from inside, indicator inside

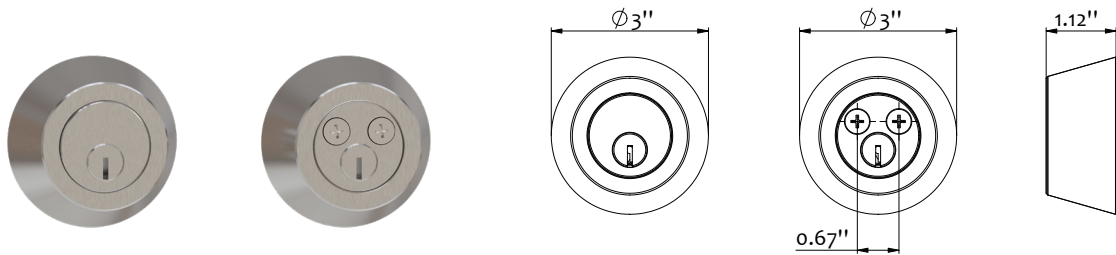
## Trim Configuration

Picture	Model no.	Cylinder	Thumb turn	Thumb turn with indicator	Indicator trim
	T20	Outside A11	Inside	—	—
	T21	Outside A11 Inside A10	—	—	—
	T22	—	—	Inside	Outside
	T23	Outside A11	—	Inside	—

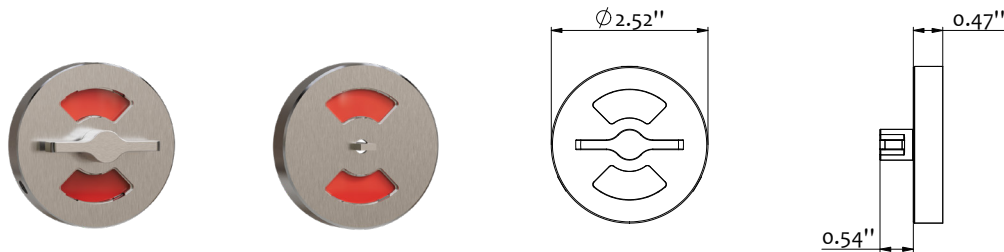
Trim Details



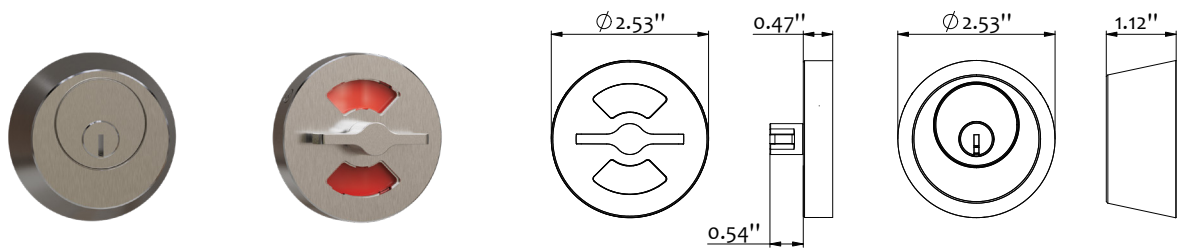
Model	Outside trim	Inside trim
T20	Outside cylinder assembly $\Phi 2\text{-}1/2\text{'}$ $\times 1\text{-}1/18\text{'}$ SS303 housing, brass cylinder, satin nickel face	Thumb turn $\Phi 2\text{-}1/2\text{'}$ $\times 9/16\text{'}$ SS303 housing, SS304 turn



Model	Outside trim	Inside trim
T21	Outside cylinder assembly $\Phi 2\text{-}1/2\text{'}$ $\times 1\text{-}1/18\text{'}$ SS303 housing, brass cylinder, satin nickel face	Inside cylinder assembly $\Phi 2\text{-}1/2\text{'}$ $\times 1\text{-}1/18\text{'}$ SS303 housing, brass cylinder, satin nickel face

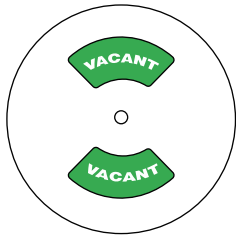


Model	Outside trim	Inside trim
T22	Indicator trim $\Phi 2\text{-}1/2\text{'}$ $\times 1/2\text{'}$ SS303 housing	Thumb turn with indicator $\Phi 2\text{-}1/2\text{'}$ $\times 1/2\text{'}$ SS303 housing & turn

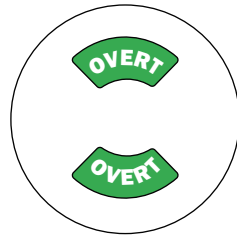


Model	Outside trim	Inside trim
T23	Outside offset cylinder assembly $\Phi 2\text{-}1/2\text{'}$ $\times 1\text{-}1/18\text{'}$ SS303 housing, brass cylinder, satin nickel face	Thumb turn with indicator $\Phi 2\text{-}1/2\text{'}$ $\times 1/2\text{'}$ SS303 housing & turn

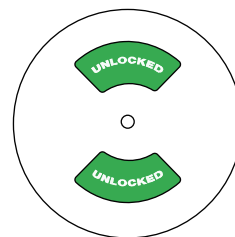
## Indicator wording options



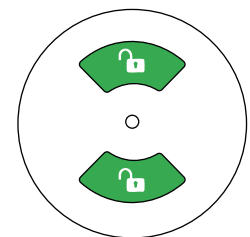
ID01



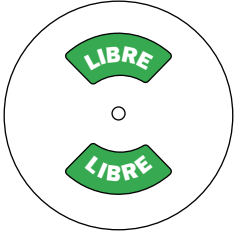
ID02



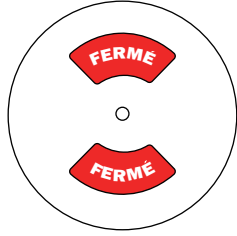
ID03



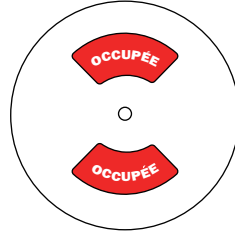
ID04



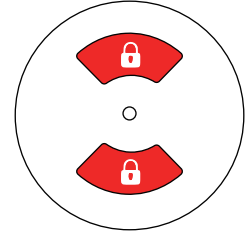
ID05



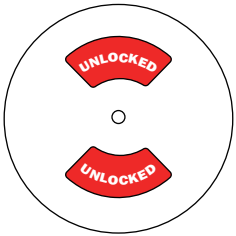
ID06



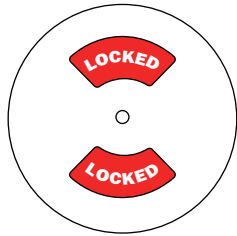
ID07



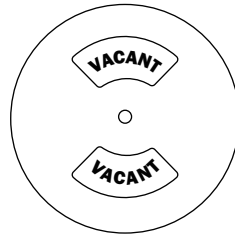
ID08



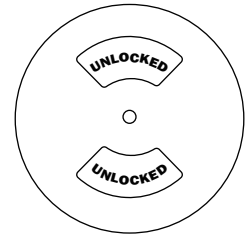
ID09



ID10



ID11



ID12

### Features

- Large, easy-to-read windows
- Text, symbols, and colors are customizable
- Durable for high-traffic use
- Compatible with various locks


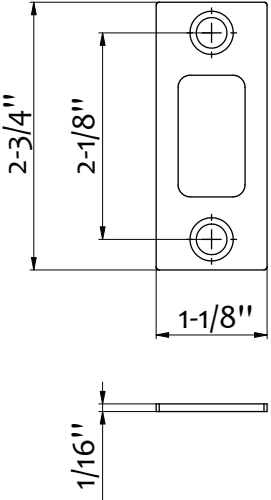
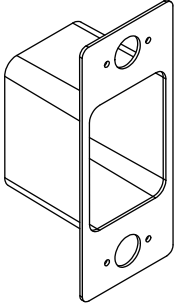
### Applications

- Public restroom
- Bathroom
- Meeting room
- Office
- Quiet room
- Nursing / lactation rooms
- Patient rooms

## Cylinder Details

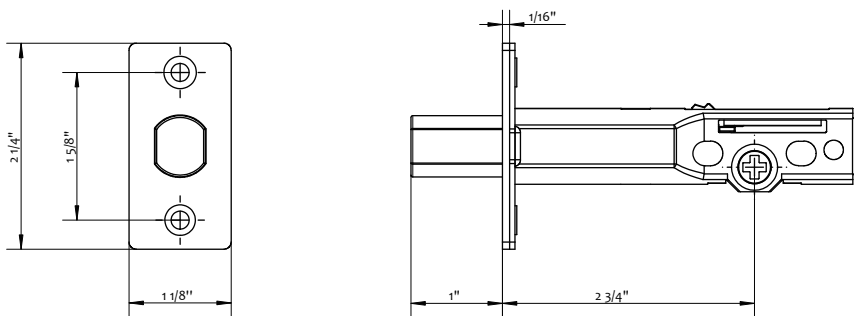
		<p><b>A11</b> Cylinder for outside trim 5 pin &amp; 3 keys, brass body, satin nickel cylinder face</p>
		<p><b>A10</b> Cylinder for inside trim 5 pin &amp; 3 keys, brass body, satin nickel cylinder face</p>

## Strike Options

			<p>ST-03 *Standard</p> <ul style="list-style-type: none"> <li>• 2-3/4" x 1-1/8" x 1/16" (70x29x2mm) strike SS304.</li> <li>• Strike box Strike box 2-11/16" x 1-1/8" x 1" (69x28.5x26mm), PA6</li> </ul>
---	---	---	--

## Installation dimensions

Lockbody



Strike

