

C20 Series

Dead Bolt Lock



Description

The C20 Series is a compact small case mortise deadlock, designed in accordance with the functions and specifications of ANSI/BHMA A156.13, offering a high-performance locking solution for commercial applications where space and security are both critical.

The C20 Series incorporates a single hardened steel deadbolt with a typical 1" throw, delivering strong resistance against forced entry without relying on a latch mechanism. Available with single or double cylinder configurations, allowing it to be used as a primary lock.



UL listed for up to 3-hour fire-rated openings, it meets stringent fire protection requirements for commercial and institutional use.

Exceeding Grade 1 cycle testing requirements, the lock is engineered for long-term durability in high-traffic environments such as offices, healthcare facilities, educational institutions, and government buildings. It offers flexible key control to meet a wide range of security requirements.

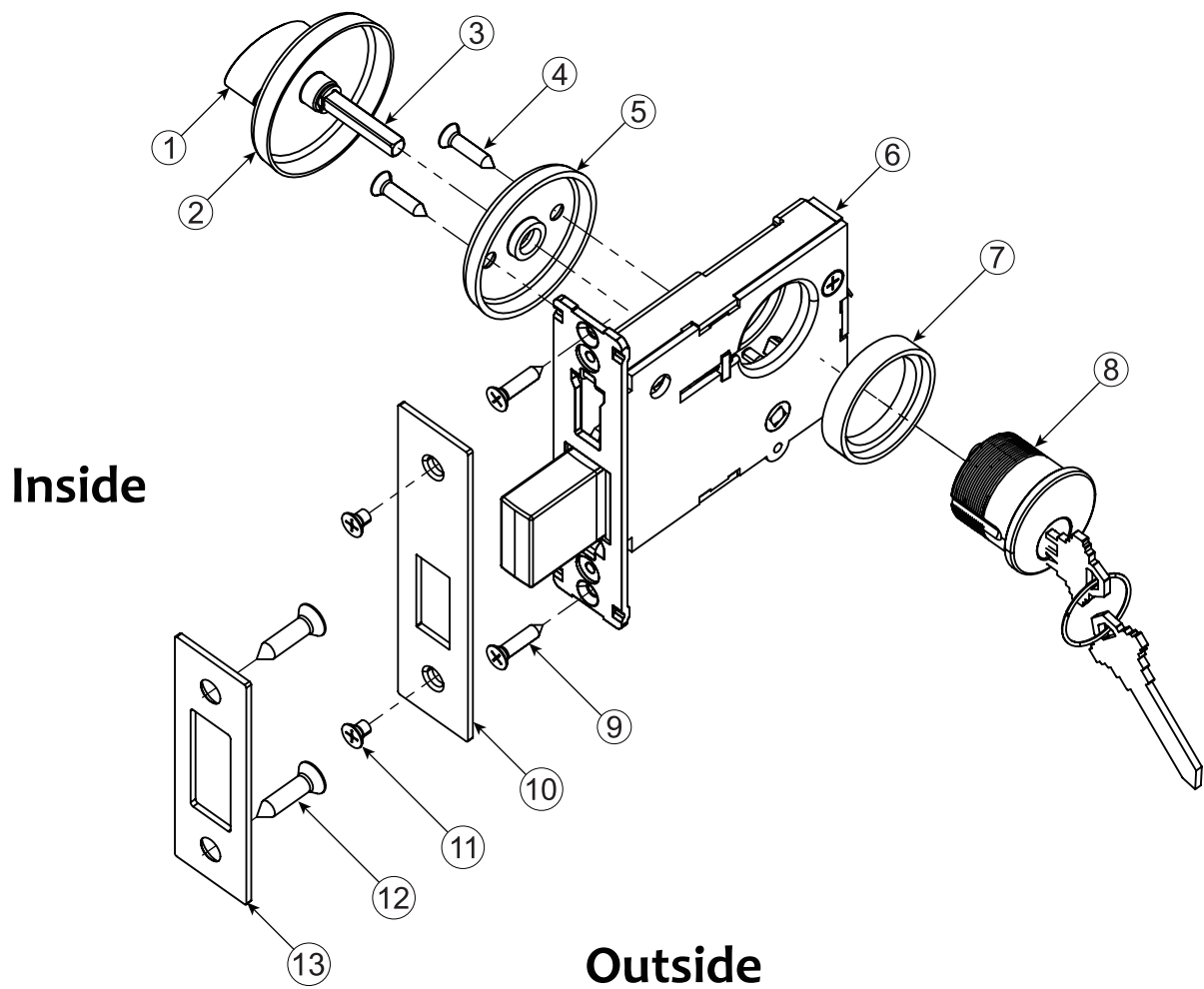
Application

- Commercial offices
Used on private offices, storage rooms, or after-hours security doors where independent deadlocking is needed.
- Healthcare facilities
Applied to staff-only rooms, pharmacies, or controlled-access areas requiring higher security.
- Educational buildings
Installed on administrative offices, records rooms, and restricted areas.
- Government and institutional buildings
Suitable for secure rooms, file storage, and controlled access zones.
- Banks and financial institutions
Used on back offices, cash handling rooms, or secondary security doors .
- Residence
Can serve as a primary deadbolt or supplemental lock on entry doors.

Certification & Compliance

	<p>Certified with ANSI/BHMA A156.13 Grade 1 function, strength and security. Tested over 1,000,000 cycles.</p>
	<p>UL/cUL listed-up to 3 hours positive pressure fire rating for door assemblies.</p>

Product Components



No.	Description
1	Thumb turn
2	Rose of thumb turn
3	Spindle
4	PH #8×1/2" wood screw
5	Mounting plate
6	Lock body
7	Cylinder spacer ring
8	Cylinder
9	PH #12-24+#12 or PH #8-32UNC+#8 screw
10	Face plate
11	PH #8-32UNC×1/4" screw
12	PH #12-24×3/4" + #12 wood screw
13	Strike






Specifications

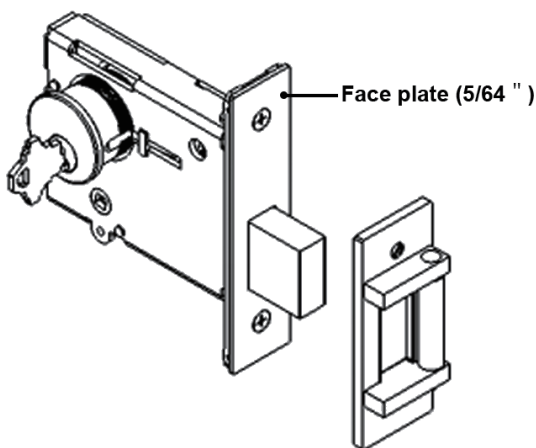
Door preparation	ANSI/BHMA A156.115 or A156.115W
Door thickness	For doors 1-3/8" (35mm) to 2-3/16" (55mm) thick standard
Stile	4-1/2" (114mm) minimum stile
Backset	2-3/4" (70mm)
Lock case	SS304 sheet, thickness 3/32" (2.5mm)
Dead bolt	17-4PH stainless steel, A156.13 Grade 1 dead bolt projection 1"
Hub	AISI4140 42CrMo steel
Other components	Stainless steel/AISI4140/AISI1075
Face plate	SS304, thickness 3/64" or 5/64"
Cylinder	Φ1-1/8" cylinder, C28000 brass, 6 pin, 3 keys, satin nickel face
Strike	SS304, 3-1/2" strike, available with regular and heavy duty options
Strike box	PA66
Hand	Non-handed except C2029
Finishes	US32D

How to order

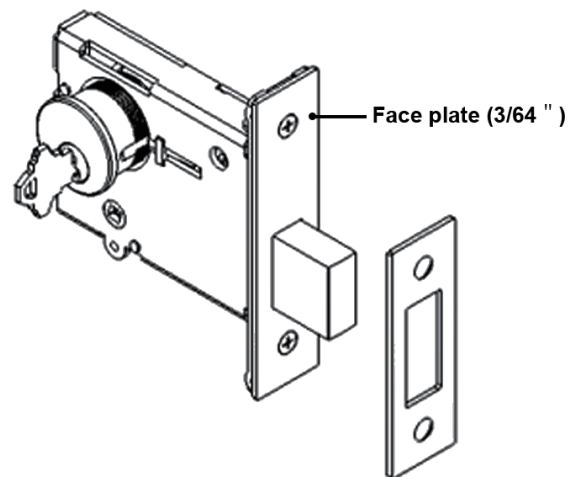
Specify	Backset	Finishes	Model no.	Thumb turn	Cylinder	Strike
Example	2 3/4"	US32D	C2017	T52	A12	ST05
Page	P4	P4	P5	P6	P6	P6

Functions & Configuration

Picture	Model no.	ANSI no.	Function	Description	Outside	Inside
	C2017	F17	Entry	Deadbolt thrown or retracted by key outside or thumb turn inside	Cylinder	Turn
	C2016	F16	Jail	Deadbolt operated by key from either side	Cylinder	Cylinder
	C2029	F29	Classroom Handed	Deadbolt thrown or retracted by key from outside. Inside thumb turn cylinder retracts deadbolt but cannot project it	Cylinder	Turn
	C2018	F18	Storeroom	Deadbolt thrown or retracted by key from one side. No thumb turn on opposite side	Cylinder	Blank
	C2000	—	Passage	Dead bolt thrown or retracted by thumb turn from one side. No Cylinder on opposite side	Blank	Turn




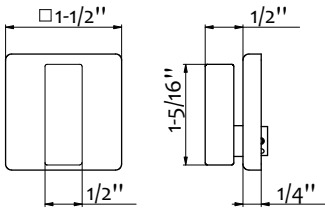

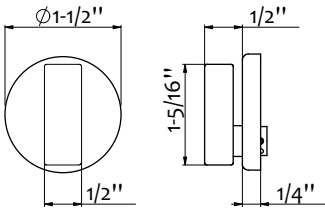

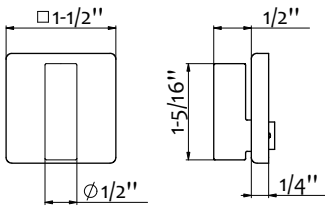

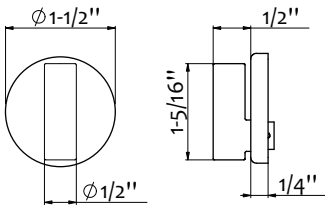

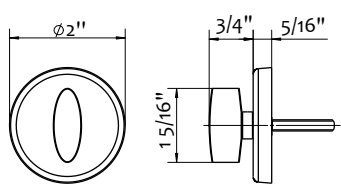

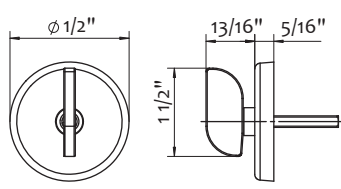
a



b


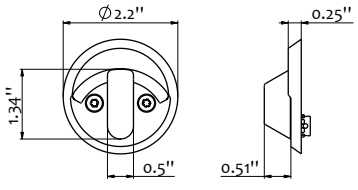

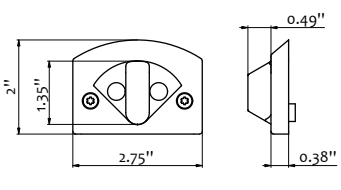

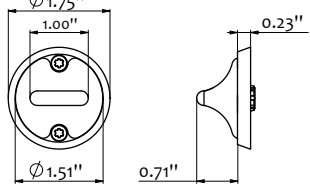

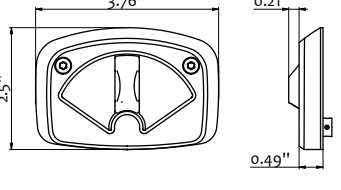
- a. 3/64" face plate with ST-05 standard strike, for dead bolt with regular load or no load.
- b. 5/64" face plate with ST-06 roller strike, for dead bolt with heavy load.

Thumb Turn Options

T52				
T53				
T69				
T72				

Material: Turn SS303, Rose SS304
 Finishing: US32D

Indicator Turn Options

T63			T64		
T65			T66		

Material: Turn SS303, Rose SS304
 Finishing: US32D/US32

Cylinder Details

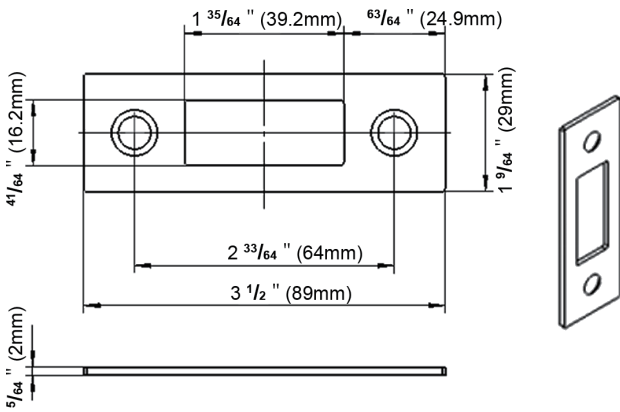


A12 Φ 1-1/8" cylinder
C28000 brass body,
6 pins, satin nickel cylinder face
3 pcs of C26000 brass keys,
nickel plated.



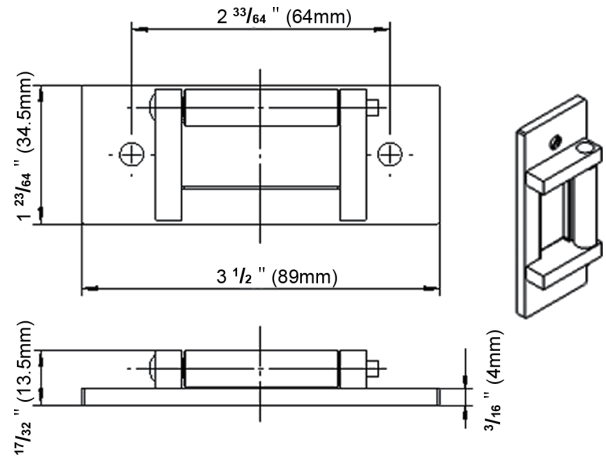
T70 Φ 1-1/8" thumb turn cylinder
C28000 brass body
C28000 brass turn, nickel plated
SS304 rose

Strike Details



ST-05

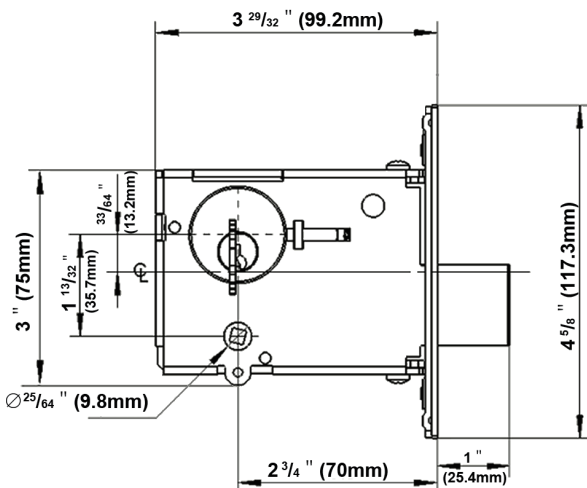
- ST-05
- Regular duty strike
 - $3\frac{1}{2} \times 1\frac{9}{64} \times \frac{5}{64}$ " (89×29×2mm)
 - SS304



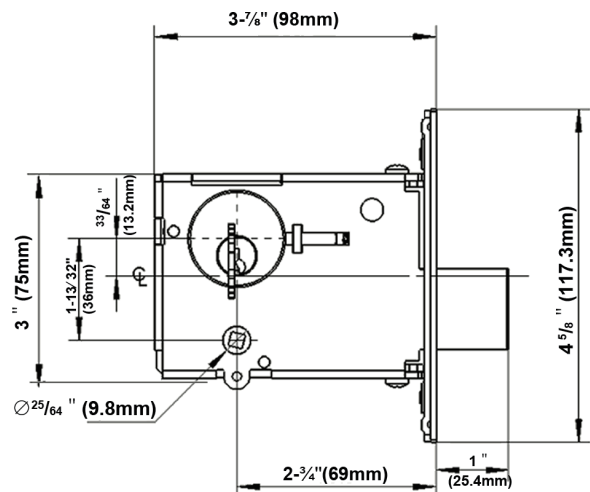
ST-06

- ST-06
- Heavy duty strike
 - $3\frac{1}{2} \times 1\frac{23}{64} \times \frac{3}{16}$ " (89×34.5×4mm)
 - SS303 cast

Installation dimensions



(1)



(2)