

# DD Series

## Mortise Lock with Lead Box



## Description

The DD Series mortise lock with lead box is engineered in full compliance with ANSI/BHMA A156.13, delivering enhanced performance where radiation shielding is required in addition to standard mechanical security. Built for heavy-duty use, the lock surpasses Grade 1 cycle performance requirements. Designed for specialized applications, it meets and exceeds industry standards for strength, durability, and operational reliability.

Constructed with high-quality stainless steel internal components and housing, the lock offers superior corrosion resistance, extended service life, and dependable functionality under demanding conditions.

Available in a comprehensive range of functions—including entry, classroom, storeroom, privacy, passage, and deadlock, the DD Series provides versatile solutions for a wide range of door applications.



UL listed for up to 3-hour fire-rated openings, it meets stringent fire protection requirements for commercial and institutional use.

It is ideally suited for hospitals, radiology rooms, laboratories, medical research facilities, and other security-sensitive or radiation-controlled applications.

## Application

- Hospitals and healthcare facilities
- Radiology rooms and medical imaging suites
- Diagnostic laboratories and treatment areas
- Research laboratories and pharmaceutical facilities
- Educational institutions
- Other high-traffic and security-sensitive environments requiring radiation shielding and enhanced durability

## Certification & Compliance

	<p>Certified with ANSI/BHMA A156.13 Grade 1 function, strength and security. Tested over 1,000,000 cycles.</p>
	<p>UL/cUL 10C listed for 3 hour fire rating</p>

## Advantages

### Universal design

- A multifunction mortise lock body integrates 10 function models on one lock body.
- Lead-lined case construction provides integrated radiation shielding for specialized medical and controlled environments.
- Suitable for lead-lined (shielded) doors of various thicknesses, wood or metal construction.
- Compatible with various lever and trim types, including ADA-compliant levers, meeting diverse application requirements.
- Compatible with indicator trim options, providing clear visual confirmation of the locked/unlocked status of a door.
- Compatible with escutcheon trim and electronic mechanisms, making it ideal for healthcare, laboratory, and institutional applications.

### Quality

- ANSI Grade 1 mortise lock designed to meet the rigors of high-traffic applications.
- Constructed with a stainless steel lock case and internal components to enhance strength, corrosion resistance, and long-term durability.

### Flexibility

- Multi-function capability allowing 10 functions to be configured from a single lock body.
- Quick Reversible feature enables handing reversal without disassembling the lock case.

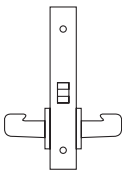
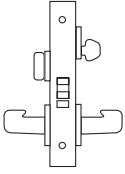
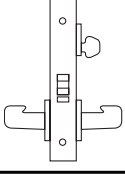
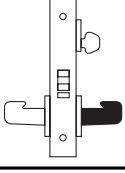
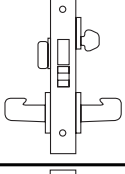
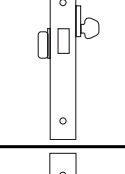
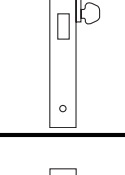
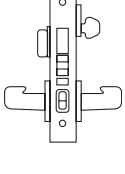
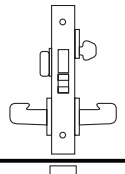
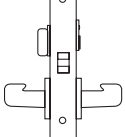
### Security

- Enhanced structural design combined with high-strength materials provides vandal-resistant performance, helping prevent forced external damage and ensuring a high level of security.
- Lead-lined construction adds an additional layer of protection for radiation-controlled environments.

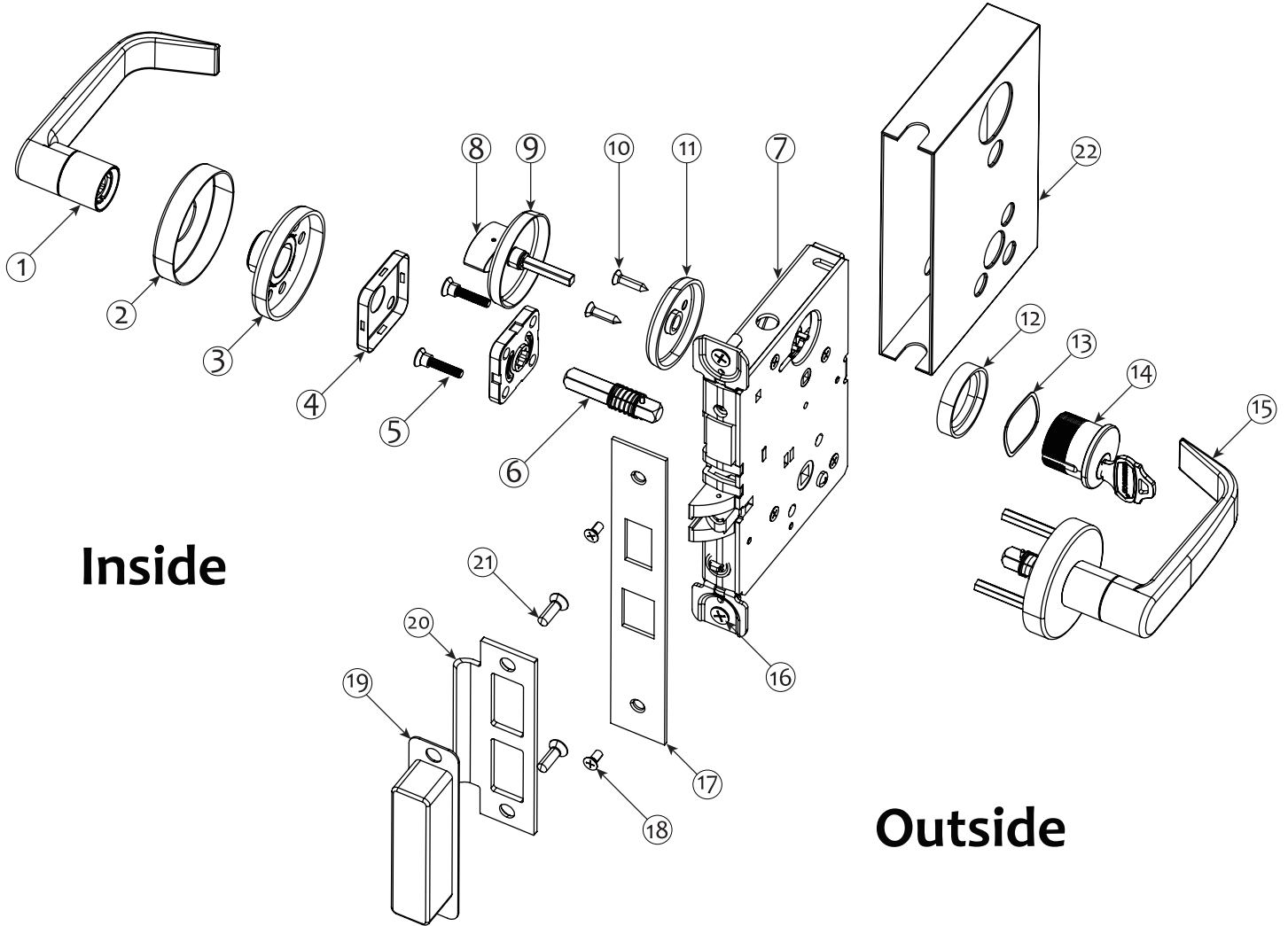
## Specifications

Door preparation	ANSI/BHMA A156.115W or A156.115
Door thickness	For doors 1-3/4" (44mm) to 2-1/4" (57mm) thick standard
Stile	4-1/2" (114mm) minimum stile
Backset	2-3/4" (70mm)
CTC	Cylinder to lever distance 3-7/8" (98mm)
Lock case	SS304, thickness 3/32"
Latch bolt	SS303, A156.13 Grade 1 latch bolt projection 3/4", 2 pcs anti-friction
Auxiliary latch bolt	SS304, 3/8" projection, non-handed
Dead bolt	17-4PH stainless steel, A156.13 Grade 1 dead bolt projection 1"
Face plate	SS304, ANSI/BHMA A156.115 8"×1-1/4"×1/16" (203×31.7×2.1mm)
Hub	AISI4140 steel, high hardness
Cylinder	Φ1-1/8" cylinder, C28000 brass, 6 pin, 3 keys, satin nickel face
Strike	SS304, 4-7/8" ANSI curved lip strike, thickness 1/8" (3mm)
Strike box	PA66
Hand	Field reversible latch bolt
Finishes	US32D

# Functions & Configuration

PICTURE	MODEL NO.	ANSI NO.	FUNCTION	Description	LEVER	CYLINDER	THUMB TURN	EMERG TURN
	DD01	F01	Passage or Closet Lock	Latch bolt operated by lever from either side at all times.	✓			
	DD04	F04	Entry Lock	Lever-operated latch from both sides; outside lever can be disabled by non-key means. When locked, latch retracts by outside key or inside lever. Auxiliary dead latch.	✓	✓	✓	
	DD05	F05	Classroom Lock	Lever/knob latch both sides; outside lockable by key or push button. When locked, retracts by key, by unlocking and operating outside lever, or by inside lever. Auxiliary dead latch.	✓	✓		
	DD07	F07	Storeroom or Closet Lock	Latch operated by outside key or inside lever; outside lever always inoperative. Auxiliary dead latch.	✓	✓		
	DD13	F13	Dormitory or Exit Lock	Latch by lever on both sides; deadbolt projected by outside key or inside turn. Inside lever retracts both bolts and unlocks outside.	✓	✓	✓	
	DD17	F17	Dead Lock	Dead bolt operated by key from outside and by turn from inside.		✓	✓	
	DD18	F18	Dead Lock	Dead bolt operated by key from outside only.		✓		
	DD20	F20	Apartment Corridor Door Lock	Lever latch both sides; outside lever disable by non-key means. Deadbolt by key outside or turn inside; key operates both bolts. Inside lever retracts both; outside stays locked. Latch deadlocks when disabled or deadbolt thrown; re-enabled when deadbolt is retracted.	✓	✓	✓	
	DD21	F21	Room Door Lock	Latch bolt operated by lever from either side. Dead bolt operated by key from outside and turn from inside.	✓	✓	✓	
	DD22	F22	Privacy, Bedroom or Bath Lock	Latch by lever both sides; outside lockable by inside turn/button. Unlocks by inside lever, door closing, or outside emergency release.	✓		✓	✓

Product Components



Inside


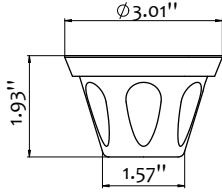

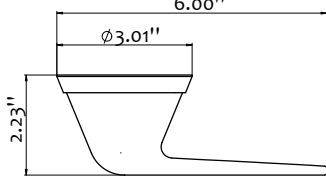

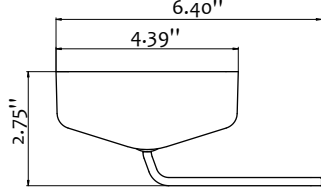
Outside

No.	Description	No.	Description
1	Inside lever	12	Cylinder spacer ring
2	Rose of inside lever	13	Spring ring
3	Mounting plate-inside lever	14	Outside cylinder
4	Rotation stop-inside lever	15	Outside lever assembly
5	PH #8-32UNC screw	16	PH #12-24+#12 screw
6	Inside spindle	17	Face plate
7	Lock body	18	PH #8-32UNCx1/4" screw
8	Thumb turn	19	Strike box
9	Rose of thumb turn	20	Strike
10	PH #8x1/2" wood screw	21	PH #12-24x3/4"+#12 wood screw
11	Mounting plate-thumb turn	22	Lead box


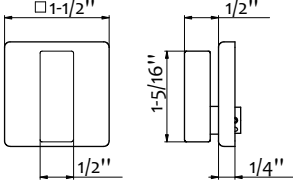

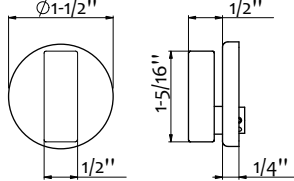

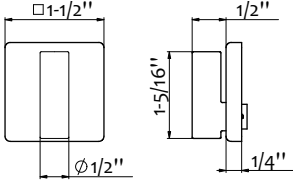

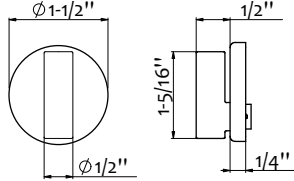

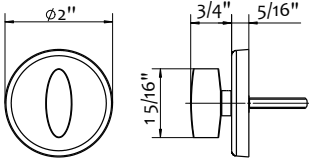

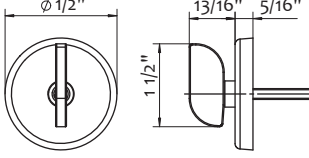
# Lever Options

L10			SS303 solid cast lever Φ2-1/2" round rose
L17A0			SS303 solid cast lever Φ2-1/2" round rose
L17A1			SS303 solid cast lever 2-1/2"×2-1/2" square rose
L21			
L30A0			SS303 solid cast lever Φ2-1/2" round rose
L30A1			SS303 solid cast lever 2-1/2"×2-1/2" square rose
L31			SS303 solid cast lever Φ2-1/2" round rose
L71A0			SS303 solid cast lever Φ2-3/4" or Φ2-1/8" round rose
L72			SS303 solid cast lever Φ2-3/4" or Φ2-1/8" round rose

## SafeCare Lever & Knob

L83			SS303 knob for passage latch Anti-ligature ADA compliance Healthcare application
L82			SS303 Anti-ligature lever ADA compliance Healthcare application
L80			SS304 push/pull set ADA compliance Healthcare application

## Thumb Turn Options

T52				
T53				
T69				
T72				

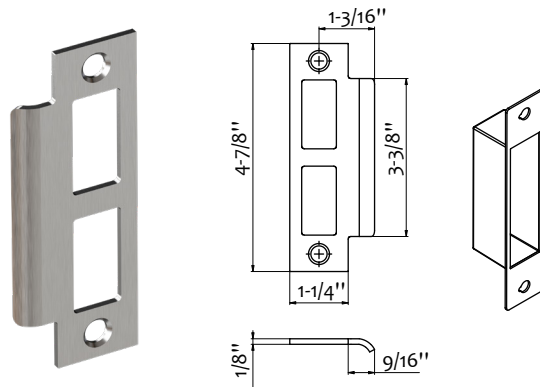
Material: Turn SS303, Rose SS304  
Finishing: US32D

## Cylinder Details



Cylinder A12D1A02  
C28000 brass body, 6 pins, satin nickel cylinder face  
3 pcs of C26000 brass keys, nickel plated.

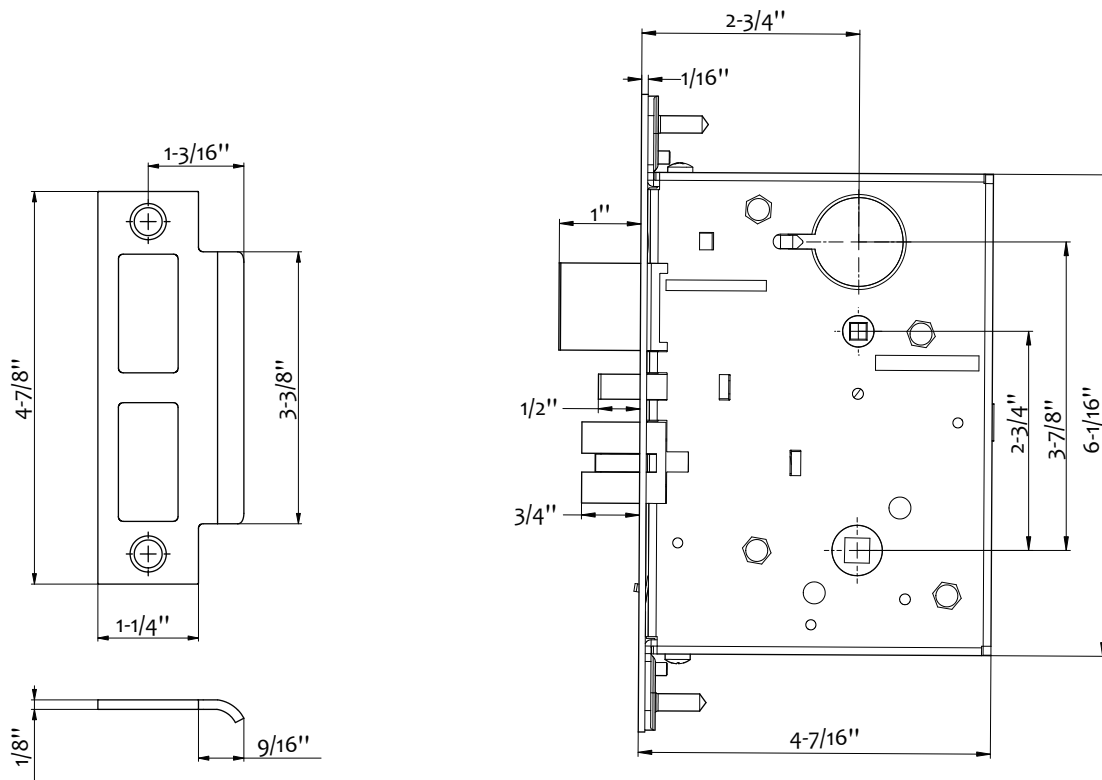
## Strike Details



ST-04 \*Standard

- 4-7/8" (124mm) ANSI curved lip strike SS304.
- 1-3/16" (30mm) curved lip from center of screw holes to end of lip.
- Strike box 4-3/4" x 1-1/8" x 1" (120 x 29 x 25mm), PA66

## Installation dimensions



## How to order

Specify	Backset	Finishes	Model no.	Lever / trim	Thumb turn	Strike
Example	2 3/4"	US32D	DD20	L17	T52	ST04
Page	P3	P3	P4	P6~7	P7	P8