

DG Series

Mortise Lock



Description

The DG Series mortise lock is designed in full compliance with ANSI/BHMA A156.13, meeting and exceeding industry standards for strength, durability, and operational performance. Engineered for heavy-duty use, it exceeds the cycle performance requirements of Grade 1, ensuring consistent performance in demanding, high-cycle environments.

Built with high-quality stainless steel internal components and housing, the lock ensures enhanced corrosion resistance, long-term durability, and reliable operation throughout its service life.

Available in a comprehensive range of functions—including entry, classroom, storeroom, privacy, passage, and deadlock, the DG Series provides versatile solutions for a wide range of door applications.



UL listed for up to 3-hour fire-rated openings, it meets stringent fire protection requirements for commercial and institutional use.

It is ideally suited for offices, educational facilities, healthcare environments, government buildings, banks, and other high-use or security-sensitive applications.

Application

- Commercial office buildings
- Educational facilities
- Healthcare facilities
- Hospitality environments
- Government and institutional buildings
- Retail and mixed-use developments
- Multi-family residential buildings
- Single-family homes

Certification & Compliance

	<p>Certified with ANSI/BHMA A156.13 Grade 1 function, strength and security. Tested over 1,000,000 cycles.</p>
	<p>UL/cUL 10C listed for 3 hour fire rating</p>

Advantages

Universal design

- A multifunction mortise lock body integrates 10 function models on one lock case.
- Suitable for multiple door thicknesses, wood or metal doors
- Compatible with various lever and trim types, including ADA compliance standard levers, meeting diverse application requirements.
- Compatible with indicator trim options, providing clear visual confirmation of the locked/unlocked status of a door.
- Compatible with escutcheon trim and electronic mechanisms, making it ideal for hospitality applications.

Quality

- ANSI Grade 1 mortise lock designed to meet the rigors of high-traffic applications.
- Constructed with a stainless steel lock case and internal components to enhance strength and corrosion resistance.

Flexibility

- Multi-function capability allowing 10 functions to be configured from a single lock body.
- Quick Reversible feature enables handing reversal without disassembling the lock case.

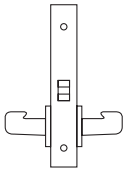
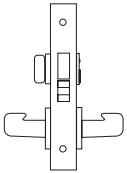
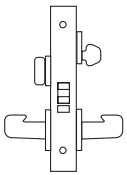
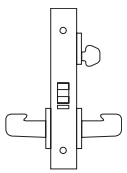
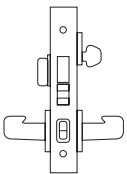
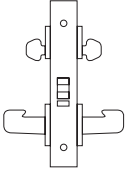
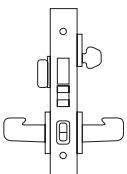
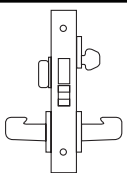
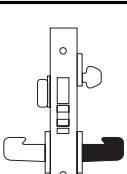
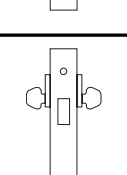
Security

- Enhanced structural design combined with high-strength materials provides vandal-resistant performance, helping prevent forced external damage and ensuring a high level of security.

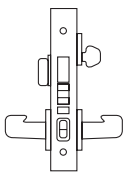
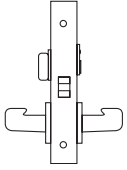
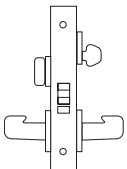
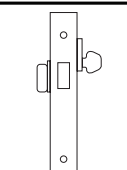
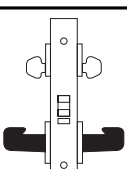
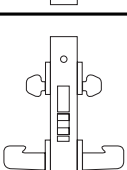
Specifications

Door preparation	ANSI/BHMA A156.115W or A156.115
Door thickness	For doors 1-3/4" (44mm) to 2-1/4" (57mm) thick standard
Stile	4-1/2" (114mm) minimum stile
Backset	2-3/4" (70mm)
CTC	Cylinder to lever distance 3-7/8" (98mm)
Lock case	SS304, thickness 3/32"
Latch bolt	SS303, A156.13 Grade 1 latch bolt projection 3/4"
Auxiliary latch bolt	SS304, 3/8" projection, non-handed
Dead bolt	17-4PH stainless steel, A156.13 Grade 1 dead bolt projection 1"
Face plate	SS304, ANSI/BHMA A156.115 8"×1-1/4"×1/16" (203×31.7×2.1mm)
Hub	AISI4140 steel, high hardness
Cylinder	Φ1-1/8" cylinder, C28000 brass, 6 pin, 3 keys, satin nickel face
Strike	SS304, 4-7/8" ANSI curved lip strike, thickness 1/8" (3mm)
Strike box	PA66
Handing	Field reversible latch bolt
Finishes	US32D

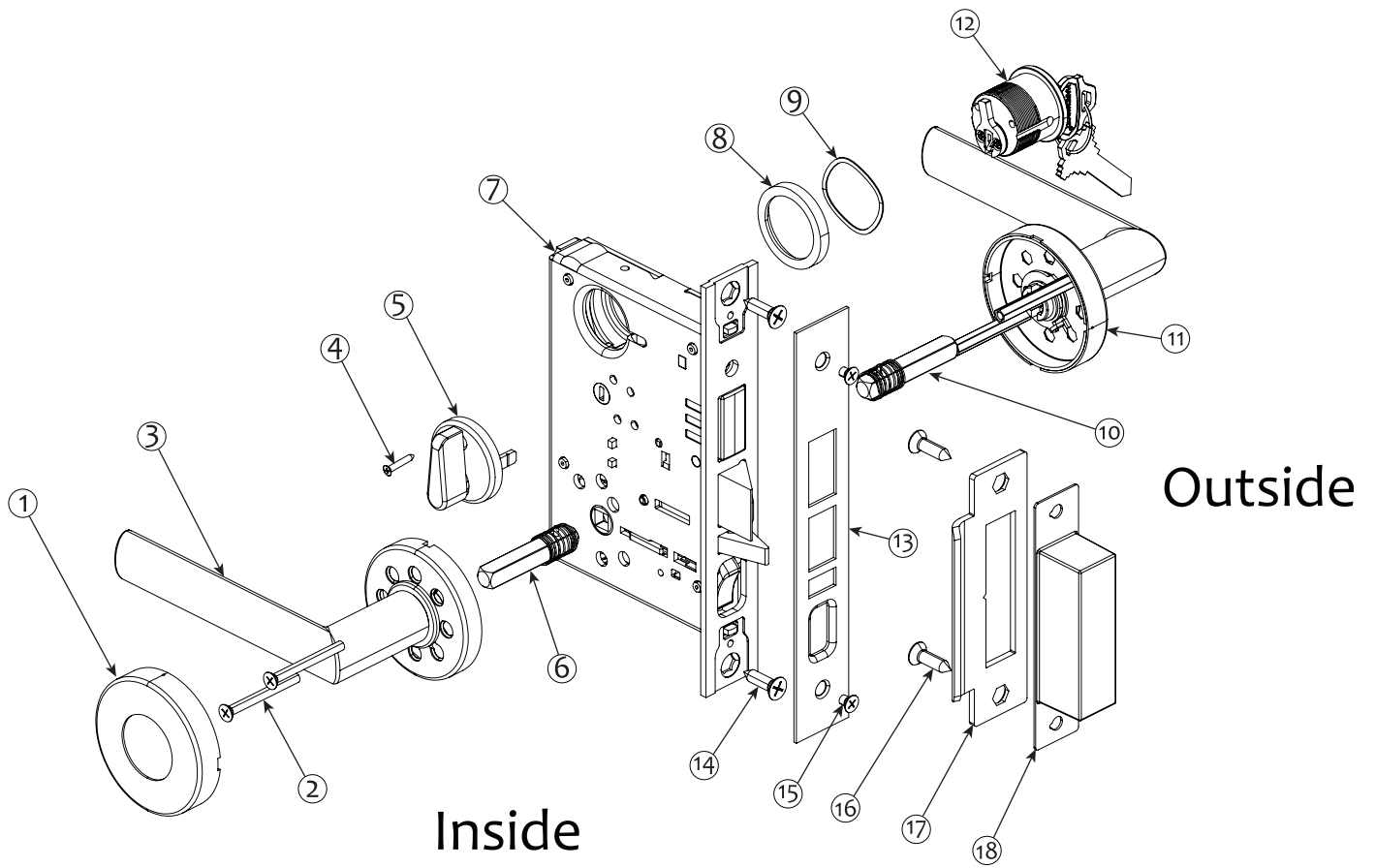
Functions & Configuration

PICTURE	MODEL NO.	ANSI NO.	FUNCTION	Description	LEVER	CYLINDER	THUMB TURN	EMERG TURN
	DG01	F01	Passage or Closet Latch	Latch bolt operated by lever from either side at all times.	✓			
	DG02	F02	Privacy, Bedroom or Bath Lock	Latch by either lever; dead bolt by inside turn and outside emergency release	✓		✓	✓
	DG04	F04	Entry Lock	Lever-operated latch from both sides; outside lever can be disabled by non-key means. When locked, latch retracts by outside key or inside lever. Auxiliary dead latch	✓	✓	✓	
	DG06	F06	Holdback Lock	Latch bolt operated by either lever except when outside lever is key-locked. Latch bolt may be held retracted by key. Locked latch retracts by outside key or inside lever. Auxiliary dead latch.	✓	✓		
	DG08	F08	Front Door Lock or Apartment Corridor Door Lock	Latch by either lever except when outside lever is mechanically disabled. Dead bolt by inside turn. Outside key operates both bolts.	✓	✓	✓	
	DG09	F09	Apartment, Exit or Public Toilet Lock	Latch by either lever except when outside lever is key-locked from inside. Locked latch retracts by outside key or inside lever. Auxiliary dead latch.	✓	✓		
	DG12	F12	Dormitory or Exit Lock	Latch by either lever except when outside lever is mechanically disabled. Dead bolt by outside key and inside turn. Inside lever retracts both bolts; outside remains locked.	✓	✓	✓	
	DG13	F13	Dormitory or Exit Lock	Latch by either lever. Dead bolt by outside key or inside turn. Inside lever retracts both bolts and unlocks outside lever.	✓	✓	✓	
	DG15	F15	Hotel Guest Lock	Latch by outside key or inside lever; outside lever inoperative. Dead bolt by inside turn with key override restriction except emergency/display keys. Inside lever retracts both bolts. Auxiliary dead latch; indicator button optional.	✓	✓	✓	
	DG16	F16	Dead Lock	Dead bolt operated by key from either side.		✓		

Functions & Configuration(cont.)

PICTURE	MODEL NO.	ANSI NO.	FUNCTION	Description	LEVER	CYLINDER	THUMB TURN	EMERG TURN
	DG20	F20	Apartment Corridor Door Lock	Lever latch both sides; outside lever disable by non-key means. Deadbolt by key outside or turn inside; key operates both bolts. Inside lever retracts both bolts; outside stays locked. Latch deadlocks when disabled or deadbolt thrown; re-enabled when deadbolt is retracted.	✓	✓	✓	
	DG22	F22	Privacy, Bedroom or Bath Lock	Latch by lever both sides; outside lockable by inside turn/button. Unlocks by inside lever, door closing, or outside emergency release.	✓		✓	✓
	DG26	F26	Institutional Privacy	Latch by either lever unless outside lever is inside-locked. Key overrides inside hold-lock to unlock. Inside lever or closing door restores operation. Auxiliary dead latch.	✓	✓	✓	
	DG29	F29	Classroom Dead Lock	Key from outside operates deadbolt. Turn from inside retracts but does not project dead bolt.		✓	✓	
	DG30	F30	Asylum or Institutional Lock	Latch bolt operated by key from either side. Both levers always inoperative. Auxiliary dead latch.	✓	✓		
	DG34	F34	Intruder Dead Bolt Lock	Latch by either lever unless outside lever is key-locked. Dead bolt by key from either side. Inside lever retracts both bolts and unlocks outside. Auxiliary dead latch / latch deadlocked when dead bolt is thrown.	✓	✓		

Product Components


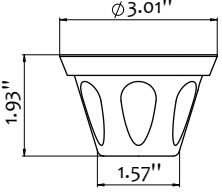

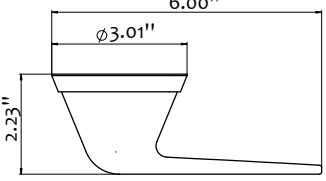

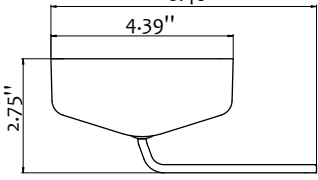


No.	Description	No.	Description
1	Inside rose	10	Outside spindle
2	PH #8-32UNC screw	11	Outside lever assembly
3	Inside lever assembly	12	Cylinder
4	PH #8x1/2" screw	13	Face plate
5	Thumb turn	14	PH #12-24+#12 screw
6	Inside spindle	15	PH #8-32UNCx1/4" screw
7	Lock body	16	PH #12-24x3/4"+#12 screw
8	Spacer ring	17	Strike
9	Wave spring	18	Strike box


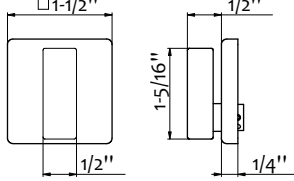

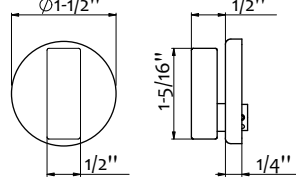

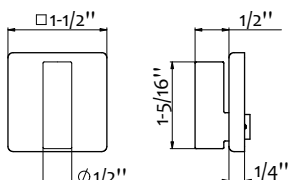

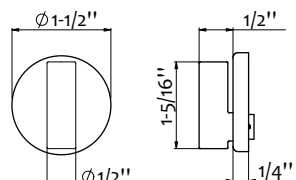

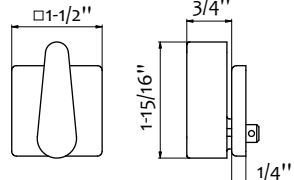

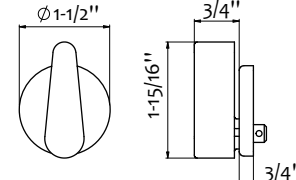

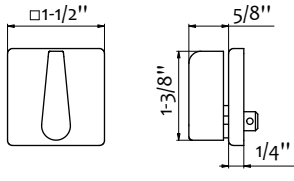

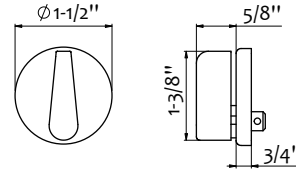
Lever Options

L10			SS303 solid cast lever Φ2-1/2" round rose
L17A0			SS303 solid cast lever Φ2-1/2" round rose
L17A1			SS303 solid cast lever 2-1/2" x 2-1/2" square rose
L21			
L30A0			SS303 solid cast lever Φ2-1/2" round rose
L30A1			SS303 solid cast lever 2-1/2" x 2-1/2" square rose
L31			SS303 solid cast lever Φ2-1/2" round rose
L71A0			SS303 solid cast lever Φ2-3/4" or Φ2-1/8" round rose
L72			SS303 solid cast lever Φ2-3/4" or Φ2-1/8" round rose

SafeCare Lever & Knob

L83			<p>SS303 knob for passage latch Anti-ligature ADA compliance Healthcare application</p>
L82			<p>SS303 Anti-ligature lever ADA compliance Healthcare application</p>
L80			<p>SS304 push/pull set ADA compliance Healthcare application</p>

Thumb Turn Options

T52				
T53				
T59				
T60				

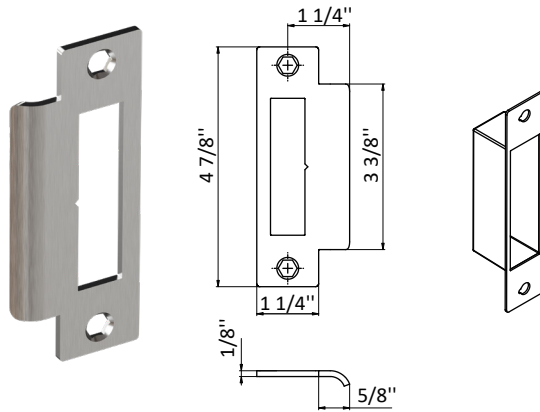
Material: Turn SS303, Rose SS304
Finishing: US32D

Cylinder Details



Cylinder A12D1A02
C28000 brass body, 6 pins, satin nickel cylinder face
3 pcs of C26000 brass keys, nickel plated.

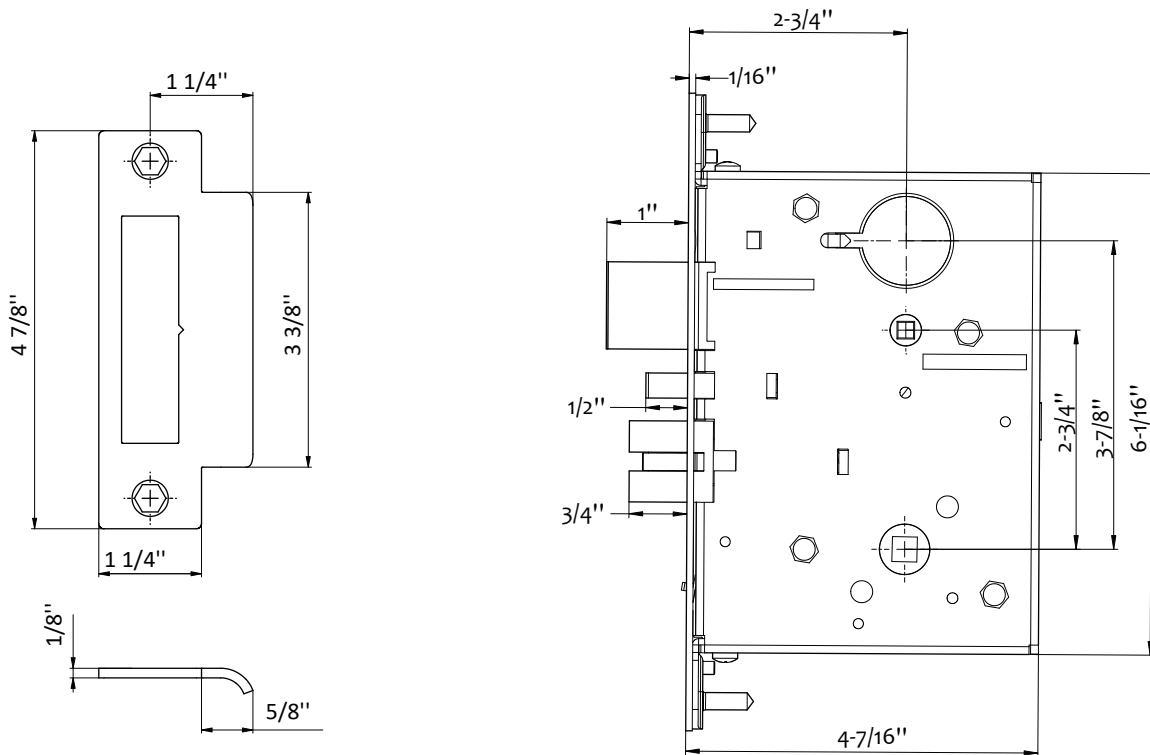
Strike Details



ST-04 *Standard

- 4-7/8" (124mm) ANSI curved lip strike SS304.
- 1-3/16" (30mm) curved lip from center of screw holes to end of lip.
- Strike box 4-3/4" x 1-1/8" x 1" (120 x 29 x 25mm), PA66

Installation dimensions



How to order

Specify	Backset	Finishes	Model no.	Lever / trim	Thumb turn	Strike
Example	2 3/4"	US32D	DD20	L17	T52	ST04
Page	P3	P3	P4~5	P7~8	P8	P9