

M30 Series

Indicator Mortise Locks



Description

M30 Series Indicator Mortise Lock is designed in compliance with the functions and specifications of ANSI/BHMA A156.13, delivering reliable strength, durability, and smooth operational performance for commercial applications. Engineered for heavy-duty use, it exceeds the cycle performance requirements of Grade 1, ensuring consistent performance in demanding, high-cycle environments.

Featuring the indicator trims, the lock provides clear visual locking status, enhancing user convenience and safety, suitable for privacy and controlled access applications.

Constructed with high-quality stainless steel internal components and housing, it offers excellent corrosion resistance and extended service life.



UL listed for up to 3 hour fire rated door assemblies, it meets stringent fire protection requirements for commercial and institutional use.

It is ideally suited for offices, educational facilities, healthcare environments, government buildings, banks, and other high-use or security-sensitive applications.

Application

- Commercial Offices
- Educational Facilities
- Healthcare & Medical Facilities
- Government & Public Buildings
- Financial Institutions
- Privacy & Restroom Applications
- Mother's rooms
- Quiet rooms
- Dressing rooms

Certification & Compliance

| | |
|---|--|
|  | <p>Certified with ANSI/BHMA A156.13 Grade 1 function, strength and security. Tested over 1,000,000 cycles.</p> |
|  | <p>UL/cUL listed-up to 3 hours positive pressure fire rating for door assemblies.</p> |

Advantages

Versatile design

- Escutcheon indicator trim, providing clear visual confirmation of the locked/unlocked status of a door.
- Never have to guess whether a room is occupied or vacant—no need to knock.
- Lower cost solution for privacy and security.
- A multifunction mortise lock body from DD series, integrates 4 functions into a single lock case.
- Suitable for multiple door thicknesses, wood or metal doors.

Quality

- ANSI Grade 1 mortise lock designed to meet the rigors of high-traffic applications.
- Constructed with a stainless steel lock case and internal components to enhance strength and corrosion resistance.

Flexibility

- Multi-function lock body.
- Quick Reversible feature enables handing reversal without disassembling the lock case.
- Various wording options.

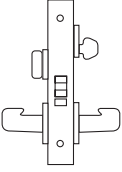
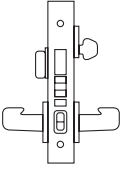
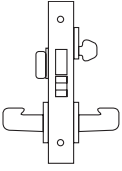
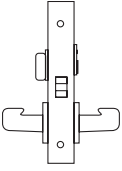
Security

- Enhanced structural design combined with high-strength materials provides vandal-resistant performance.
- The indicator trim two side are connected and secured by four through-bolts, helping prevent forced external damage and ensuring a high level of security.

Specifications

| | |
|----------------------|--|
| Door preparation | ANSI/BHMA A156.115 or A156.115W |
| Door thickness | For doors 1-3/4" (45mm) to 2-1/4" (57mm) thick standard |
| Stile | 4-1/2" (114mm) minimum stile |
| Backset | *Standard backset 2-3/4" (70mm) |
| CTC distance | Lever to cylinder center distance 3-7/8" (98mm) |
| Lock case | SS304, thickness 3/32" |
| Latch bolt | SS303, A156.13 Grade 1 latch bolt projection 3/4", 2 pcs anti-friction |
| Auxiliary latch bolt | SS304, 3/8" projection, non-handed |
| Dead bolt | 17-4PH stainless steel, A156.13 Grade 1 dead bolt projection 1" |
| Face plate | SS304, ANSI/BHMA A156.115 8"×1-1/4"×1/16" (203×31.7×2.1mm) |
| Hub | AISI4140 42CrMo steel |
| Cylinder | Φ1-1/8" cylinder, C28000 brass, 6 pin, 3 keys, satin nickel face |
| Indicator trim | SS303 cast steel, thickness 9/64" (3.6mm) |
| Strike | SS304, 4-7/8" ANSI curved lip strike, thickness 1/8" (3mm) |
| Strike box | PA66 |
| Hand | Field reversible latch bolt |
| Finishes | US32D |

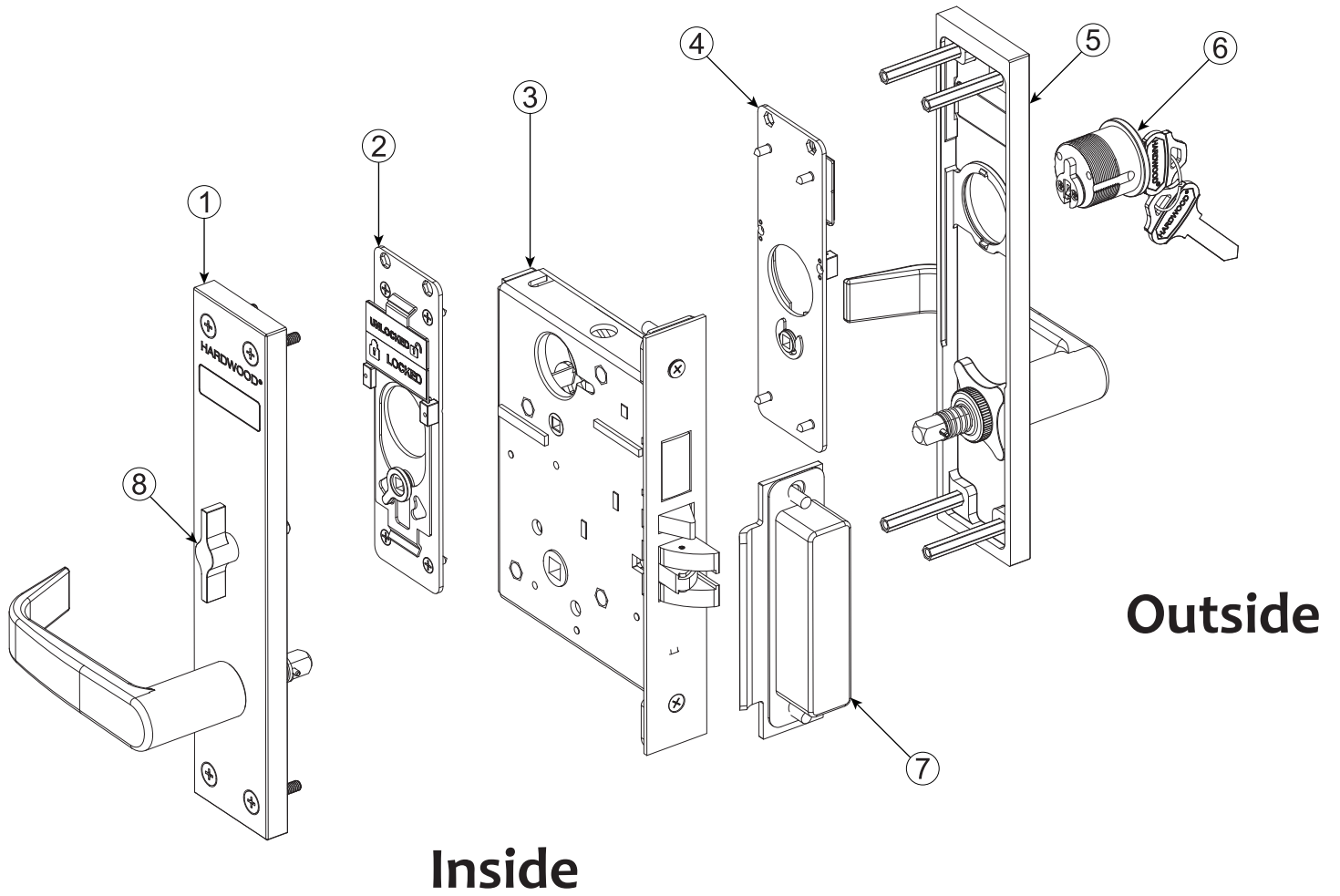
Functions & Configuration

| PICTURE | LOCK BODY NO. | ANSI NO. | FUNCTION | DESCRIPTION | LEVER | CYLINDER | THUMB TURN | EMERG TURN |
|---|---------------|----------|-------------------------------|--|-------|----------|------------|------------|
|  | DD04 | F04 | Entry Lock | Lever-operated latch from both sides; outside lever can be disabled by non-key means. When locked, latch retracts by outside key or inside lever. Auxiliary dead latch. | ✓ | ✓ | ✓ | |
|  | DD20 | F20 | Apartment Corridor Door Lock | Lever latch both sides; outside lever disable by non-key means. Dead-bolt by key outside or turn inside; key operates both bolts. Inside lever retracts both bolts; outside stays locked. Latch deadlocks when disabled or deadbolt thrown; re-enabled when deadbolt is retracted. | ✓ | ✓ | ✓ | |
|  | DD21 | F21 | Room Door Lock | Latch bolt operated by lever from either side. Dead bolt operated by key from outside and turn from inside. | ✓ | ✓ | ✓ | |
|  | DD22 | F22 | Privacy, Bedroom or Bath Lock | Latch by lever both sides; outside lockable by inside turn/button. Unlocks by inside lever, door closing, or outside emergency release. | ✓ | | ✓ | ✓ |

How to order

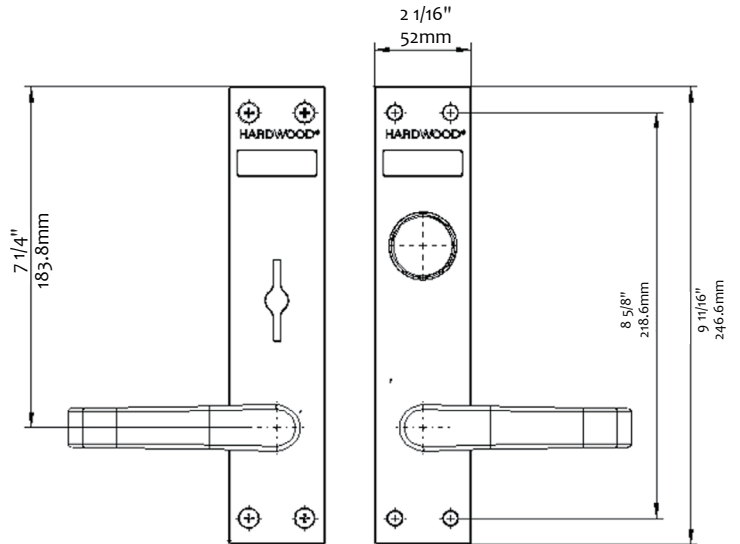
| Specify | Backset | Finishes | Lock body no. | Lever | Thumb turn | Strike |
|---------|---------|----------|---------------|-------|------------|--------|
| Example | 2 3/4" | US32D | DD20 | L10 | M30A5 | ST04 |
| Page | P3 | P3 | P4 | P7 | P7 | P8 |

Product Components



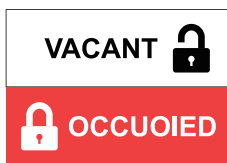
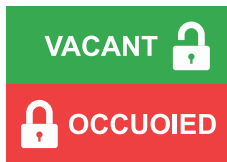
| No. | Description |
|-----|--------------------------------------|
| 1 | Inside escutcheon trim assembly |
| 2 | Inside indicator mechanism assembly |
| 3 | Lock body |
| 4 | Outside indicator mechanism assembly |
| 5 | Outside escutcheon trim assembly |
| 6 | Outside cylinder |
| 7 | Strike assembly |
| 8 | Thumb turn |

Indicator Trim Details

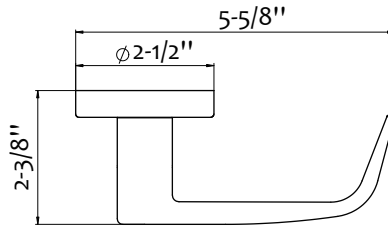


| | |
|------------|--------------------|
| Trim type | Escutcheon trim |
| Material | SS303 |
| Thickness | 9/64" (3.6mm) |
| Width | 2-1/16" (52mm) |
| Height | 9-11/16" (246.6mm) |
| Projection | 2-1/2" (63mm) |

Wording and Color Options

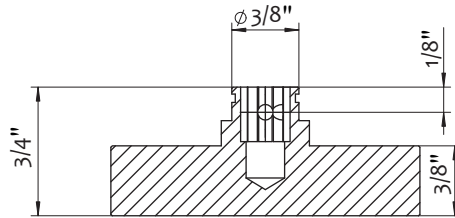


Lever Options



L10 SS303 solid cast lever
 Φ 2-1/2" round rose

Thumb Turn Options



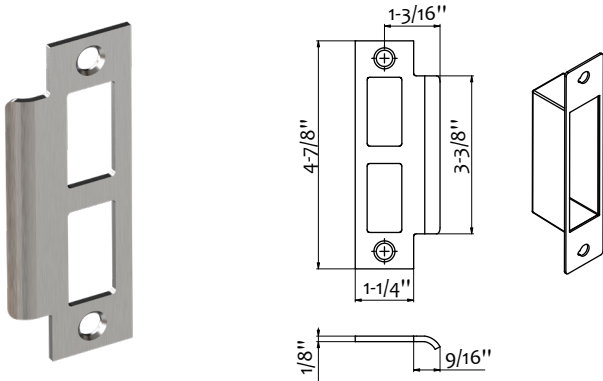
T-thumb turn M30A5
 1-3/4" x 3/8" (44 x 10mm)
 SS303 cast US32D

Cylinder Details



A12 Φ 1-1/8" cylinder
 C28000 brass body, 6 pins, satin nickel cylinder face
 3 pcs of C26000 brass keys, nickel plated.

Strike Details



ST-04 *Standard

- 4-7/8" (124mm) ANSI curved lip strike SS304.
- 1-3/16" (30mm) curved lip from center of screw holes to end of lip.
- Strike box 4-3/4"×1-1/8"×1" (120×29×25mm), PA66

Installation dimensions

