

HARDWOOD®

A trusted global partner in functional and decorative opening solutions

Delivering reliable opening solutions that combine performance, aesthetics, and sustainability

CONTACT US

- 📍 Ningbo, China
- ✉ sales@hardwoodsecurity.com
- 🌐 www.hardwoodsecurity.com



@ 2026 All rights reserved
Specifications are subject to change without notice.

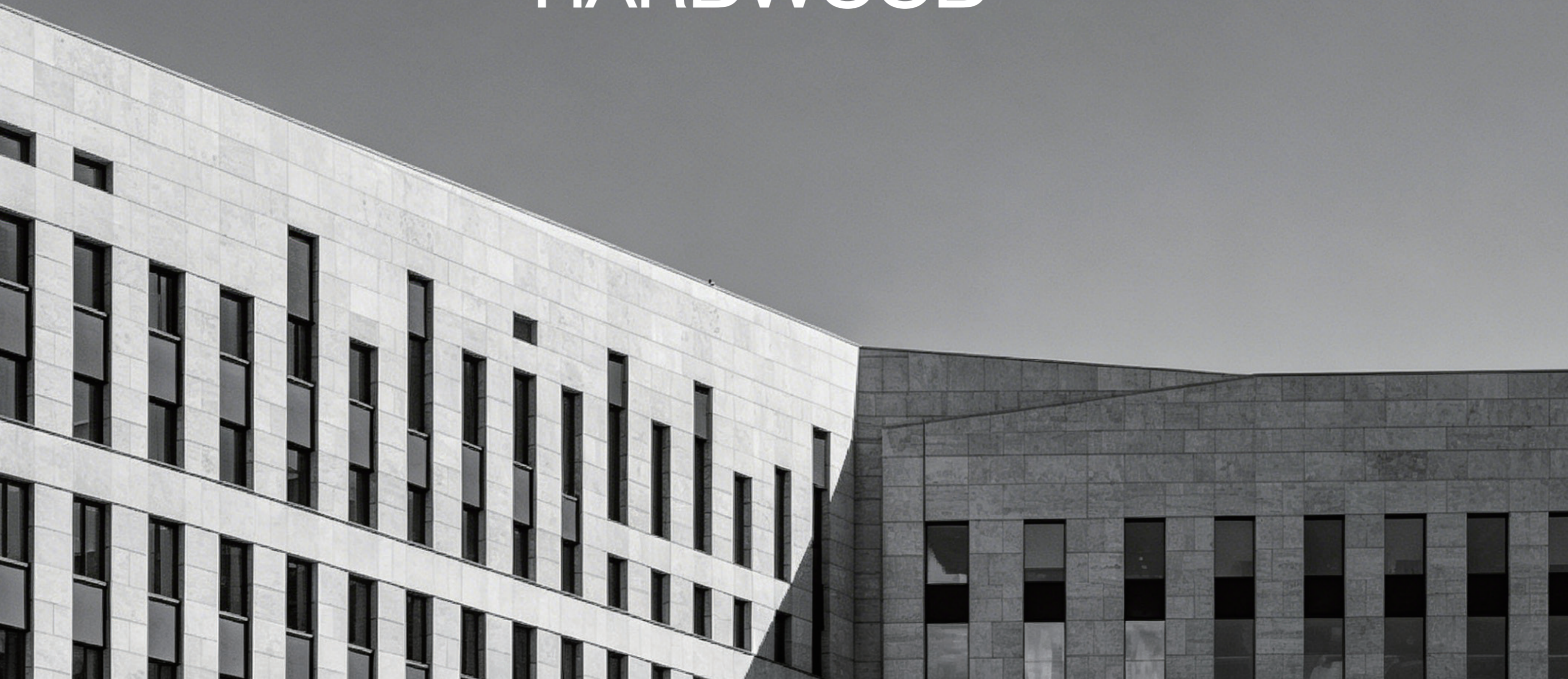
www.hardwoodsecurity.com



Mortise Lock

Hardwood Door Control Tech (Ningbo) Co., Ltd.

HARDWOOD®



HARDWOOD®

INTRODUCTION

ABOUT US

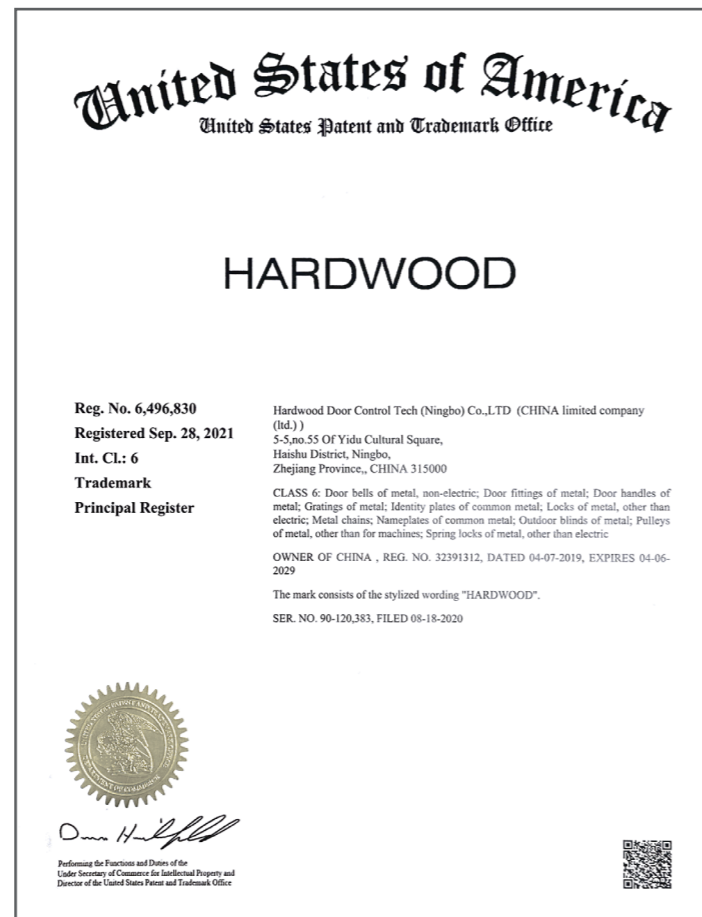
A trusted global partner in functional and decorative opening solutions



Hardwood is an innovative and professional company engaged in research, development, design and manufacturing of Locksets, fittings, sliding door system and numerous architectural hardware. The founder and core members have over 30 years' experience in door control industry.



Delivering reliable opening solutions that combine performance, aesthetics, and sustainability.



30+
Years

100+
Serving Clients

300+
Product Portfolio



DD SERIES

Mortise lock



GRADE 1 SECURITY
Meets the highest industry standards for durability, security, and performance.



FIRE SAFETY COMPLIANCE
UL 10C listed 3-hour fire rating enhances safety and meets building codes.



PREMIUM MATERIALS
Stainless steel handles and lock body for strength and corrosion resistance

APPLICATION SCENARIOS



Office buildings



Campus



Hotel



Healthcare



Universal Design

- 10-function mortise lock, fits wood/metal doors & multiple thicknesses
- Compatible with ADA levers, indicator trims, and electronic mechanisms

Quality

- ANSI Grade 1 certified for high-traffic use
- Stainless steel construction for durability and corrosion resistance

Flexibility

- Multi-function configurable from one lock body
- Quick reversible handing, no disassembly needed

Security

- Vandal-resistant design prevents forced entry



US32D



US4



US10B



Multi Finishes

SPECIFICATIONS

Door preparation

ANSI/BHMA A156.115 or A156.115W

Door thickness

For doors 1-3/4" (44mm) to 2-1/4" (57mm) thick standard

Stile

4-1/2" (114mm) minimum stile

Backset

2-3/4" (70mm)

CTC

Cylinder to lever distance 3-7/8" (98mm)

Lock case

SS304, thickness 3/32"

Latch bolt

SS303, A156.13 Grade 1 latch bolt projection 3/4", 2 pcs anti-friction

Auxiliary latch bolt

SS304, 3/8" projection, non-handed

Dead bolt

17-4PH stainless steel, A156.13 Grade 1 dead bolt projection 1"

Face plate

SS304, ANSI/BHMA A156.115 8"×1-1/4"×1/16" (203×31.7×2.1mm)

Hub

AISI4140 steel, high hardness

Cylinder

Ø1-1/8" cylinder C28000 brass, satin nickel face 6 pin, 3 keys

Strike

4-7/8" ANSI curved lip strike Thickness 1/8" (3mm) SS304

Strike box

PA66

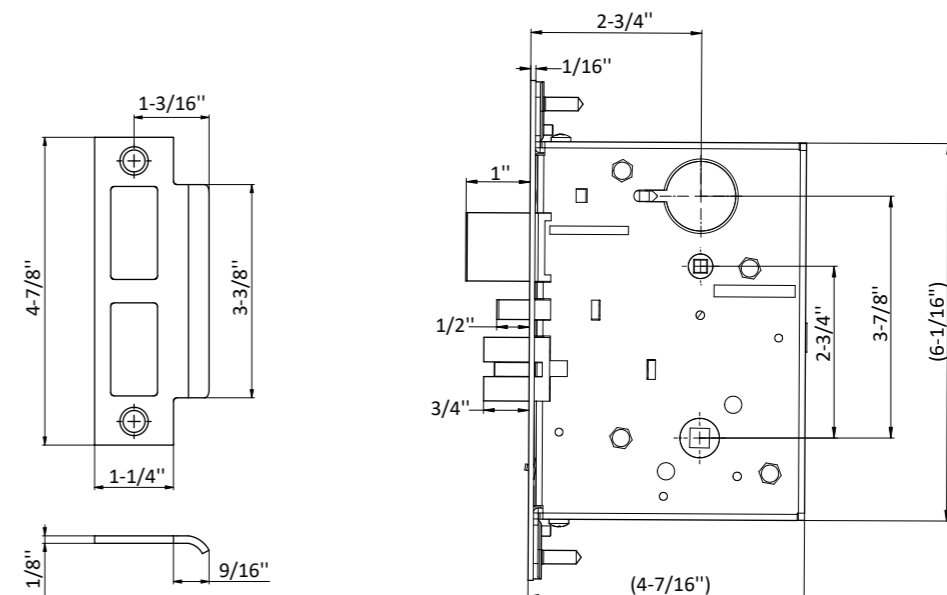
Hand

Field reversible latch bolt

Finishes

US32D

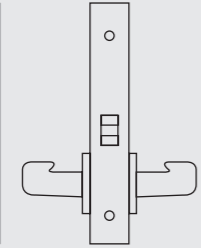
DIMENSIONS



FUNCTION LIST

DD Series • Multiple Functions • Built for Performance

HARDWOOD®

ANSI no./Function name	Configuration	Description
DD01 (F01) PASSAGE OR CLOSET LATCH For hall or closet doors. Unlocked both sides, no key required.		Latch bolt operated by lever from either side at all times.

DD04 (F04) ENTRY LOCK For exterior entry doors. Keyed outside, turn/push-button lock inside.		Lever-operated latch from both sides; outside lever can be disabled by non-key means. When locked, latch retracts by outside key or inside lever. Auxiliary dead latch.
--	---	---

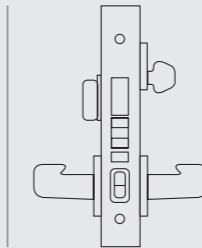
DD05 (F05) CLASSROOM LOCK For classroom or office doors. Keyed outside, always unlocked from inside.		Lever/knob latch both sides; outside lockable by key or push button. When locked, retracts by key, by unlocking and operating outside lever, or by inside lever. Auxiliary dead latch.
--	--	--

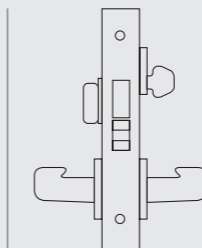
DD07 (F07) STOREROOM OR CLOSET LOCK For storeroom doors. Always unlocked from inside, key only outside.		Latch operated by outside key or inside lever; outside lever always inoperative. Auxiliary dead latch.
---	---	--

DD13 (F13) DORMITORY OR EXIT LOCK For dorm or exit doors. Keyed outside, always free exit from inside.		Latch by lever on both sides; deadbolt projected by outside key or inside turn. Inside lever retracts both bolts and unlocks outside.
--	---	---

ANSI no./Function name	Configuration	Description
DD17 (F17) DEAD LOCK For high-security doors. Requires key outside and turn inside.		Dead bolt operated by key from outside and by turn from inside.

DD18 (F18) DEAD LOCK For high-security doors. Requires key outside to operate.		Dead bolt operated by key from outside only.
--	---	--

DD20 (F20) APARTMENT CORRIDOR DOOR LOCK For apartment corridor doors. Keyed outside, turn or privacy inside.		Lever latch both sides; outside lever disable by non-key means. Deadbolt by key outside or turn inside; key operates both bolts. Inside lever retracts both bolts; outside stays locked. Latch deadlocks when disabled or deadbolt thrown; re-enabled when deadbolt is retracted.
--	--	---

DD21 (F21) ROOM DOOR LOCK For interior room doors. Privacy or keyed operation, free exit.		Latch bolt operated by lever from either side. Dead bolt operated by key from outside and turn from inside.
---	---	---

DD22 (F22) PRIVACY, BEDROOM OR BATH LOCK For bedroom or bath doors. Inside turn privacy lock, unlocked from inside.		Latch by lever both sides; outside lockable by inside turn/button. Unlocks by inside lever, door closing, or outside emergency release.
---	---	---

DG SERIES

Mortise lock



GRADE 1 SECURITY
Meets the highest industry standards for durability, security, and performance.

APPLICATION SCENARIOS

- Office buildings
- Campus
- Hotel
- Healthcare



FIRE SAFETY COMPLIANCE
UL 10C listed 3-hour fire rating enhances safety and meets building codes.



PREMIUM MATERIALS
Stainless steel handles and lock body for strength and corrosion resistance



- Universal Design**
- 16-function mortise lock, fits wood/metal doors & multiple thicknesses
 - Compatible with ADA levers, indicator trims, and electronic mechanisms

- Flexibility**
- Multi-function configurable from one lock body
 - Quick reversible handing, no disassembly needed

- Quality**
- ANSI Grade 1 certified for high-traffic use
 - Stainless steel construction for durability and corrosion resistance

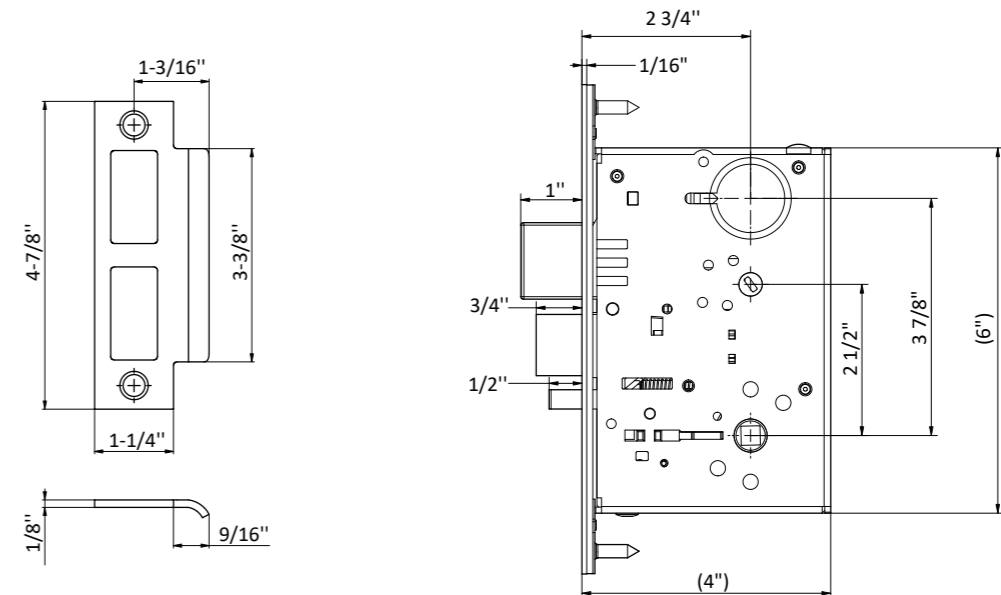
- Security**
- Vandal-resistant design prevents forced entry



SPECIFICATIONS

<p>Door preparation ANSI/BHMA A156.115 or A156.115W</p> <p>Door thickness For doors 1-3/4" (44mm) to 2-1/4" (57mm) thick standard</p> <p>Stile 4-1/2" (114mm) minimum stile</p> <p>Backset 2-3/4" (70mm)</p> <p>CTC Cylinder to lever distance 3-7/8" (98mm)</p> <p>Lock case SS304, thickness 3/32"</p>	<p>Latch bolt SS303, A156.13 Grade 1 latch bolt projection 3/4"</p> <p>Auxiliary latch bolt SS304, 3/8" projection, non-handed</p> <p>Dead bolt 17-4PH stainless steel, A156.13 Grade 1 dead bolt projection 1"</p> <p>Face plate SS304, ANSI/BHMA A156.115 8"×1-1/4"×1/16" (203×31.7×2.1mm)</p> <p>Hub AISI4140 steel, high hardness</p>	<p>Cylinder Φ1-1/8" cylinder C28000 brass, satin nickel face 6 pin, 3 keys</p> <p>Strike 4-7/8" ANSI curved lip strike Thickness 1/8" (3mm) SS304</p> <p>Strike box PA66</p> <p>Hand Field reversible latch bolt</p> <p>Finishes US32D</p>
--	--	---

DIMENSIONS



FUNCTION LIST

DG Series • Multiple Functions • Built for Performance

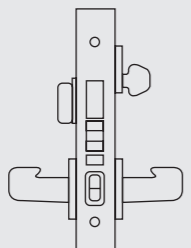

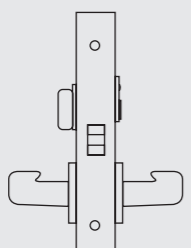

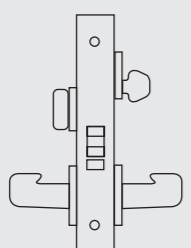

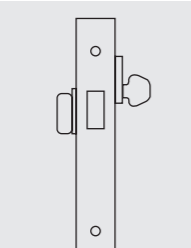

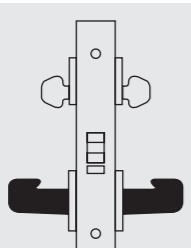

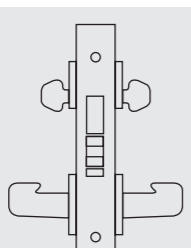

HARDWOOD®

ANSI no./Function name	Configuration	Description
DG01 (F01) PASSAGE OR CLOSET LATCH For hall or closet doors. Unlocked both sides, no key required.		Latch bolt operated by lever from either side at all times.
DG02 (F02) PRIVACY/BEDROOM/BATH LOCK For bedroom or bath doors, inside turn privacy lock, unlocked from inside		Latch bolt operated by lever from either side. Dead bolt operated by turn from inside and by emergency release from outside.
DG04 (F04) ENTRY LOCK For exterior entry doors. Keyed outside, turn or privacy inside.		Latch bolt operated by lever from either side except when outside lever is made inoperative by a stop or mechanical means other than key. When outside lever is locked, latch bolt is retracted by key from outside or by operating inside lever. Auxiliary dead latch.
DG06 (F06) HOLDBACK LOCK For office doors. Keyed to lock/unlock from outside, free exit inside.		Latch bolt operated by lever from either side except when outside lever is locked from outside by key. Latch bolt can be locked in a retracted position by key. When outside lever is locked, latch bolt is retracted by key from outside or by operating inside lever unless latch bolt has been locked in a retracted position. Auxiliary dead latch.
DG08 (F08) FRONT DOOR OR APARTMENT CORRIDOR LOCK For dormitory doors. Keyed outside, privacy lock inside, free exit.		Latch bolt is operated by lever from either side, except when outside lever is made inoperative by a stop or mechanical means other than key. Dead bolt is operated by turn inside. Key outside operates both bolts.

ANSI no./Function name	Configuration	Description
DG09 (F09) APARTMENT/EXIT/PUBLIC TOILET LOCK For emergency exit doors. No outside access, free exit only.		Latch bolt operated by lever from either side, except when outside lever is locked by key from inside. When outside lever is locked, latch bolt is retracted by key from outside or by operating inside lever. Auxiliary dead latch.
DG12 (F12) DORMITORY/EXIT LOCK For dorm/exit doors. Keyed outside, always free exit from inside.		Latch bolt operated by lever from either side, except when outside lever is made inoperative by a stop or mechanical means other than key. Dead bolt projected by key from outside and by turn from inside. Dead bolt retracted by key from outside and by turn from inside. Operating inside lever retracts both bolts and outside remains locked.
DG13 (F13) DORMITORY/EXIT LOCK For dorm/exit doors. Keyed outside, always free exit from inside.		Latch bolt operated by lever from either side. Dead bolt projected by key from outside and turn from inside. Operating inside lever retracts both bolts and unlocks outside.
DG15 (F15) HOTEL GUEST LOCK For hotel guest room. Controlled outside access by key, free exit from inside		Latch bolt operated by key from outside or by operating inside lever. Outside lever is always inoperative. Dead bolt projected by turn from inside and all keys except emergency and display key are shut out. Operating inside lever retracts both bolts. Auxiliary dead latch. Indicator button when so specified.
DG16 (F16) DEAD LOCK For high-security doors, requires keys both sides.		Dead bolt operated by key from either side.

FUNCTION LIST

DG Series • Multiple Functions • Built for Performance

ANSI no./Function name	Configuration	Description	
DG20 (F20) APARTMENT CORRIDOR LOCK For apartment corridor doors. Keyed outside, turn or privacy inside.			Lever latch both sides; outside lever disable by non-key means. Deadbolt by key outside or turn inside; key operates both bolts. Inside lever retracts both bolts; outside stays locked. Latch deadlocks when disabled or deadbolt thrown; re-enabled when deadbolt is retracted.
DG22 (F22) PRIVACY/BEDROOM/BATH LOCK For bedroom or bath doors. inside turn privacy lock, unlocked from inside.			Latch bolt operated by lever from either side except when outside lever is locked by inside turn or button. Operating inside lever, closing door or operating outside emergency release unlocks outside lever .
DG26 (F26) INSTITUTIONAL PRIVACY LOCK For institutional and healthcare facilities. Deadbolt, keyed outside, thumbturn inside.			Latch bolt operated by lever from either side except when outside lever is locked by turn inside. Latch bolt by key outside with override of turn inside when manually held in locked position. Operating inside lever or closing door unlocks outside lever. Auxiliary dead latch.
DG29 (F29) CLASSROOM DEAD LOCK For secure classroom doors. Keyed outside, Unable to lock the door from the inside.			Key from outside operates dead bolt. Turn from inside retracts but does not project dead bolt.
DG30 (F30) ASYLUM OR INSTITUTIONAL LOCK For institutional. Operated only by key from either side.			Latch bolt operated by key from either side. Both levers always inoperative. Auxiliary dead latch.
DG34 (F34) INTRUDER DEAD BOLT LOCK Allowing key-operated lockdown from inside or outside, while ensuring immediate egress via inside lever.			Latch bolt operated by lever from either side except when outside lever is locked from inside or outside by key. Dead bolt retracted by key from inside or outside. Operating inside lever retracts both bolts and unlocks outside. Auxiliary dead latch or latch bolt dead locked when dead bolt is thrown.



LEVER OPTIONS



L10



L22



L80



L21



L70



L82



L31

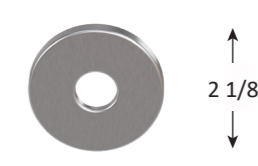
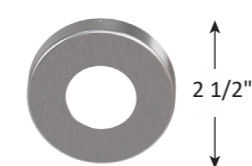
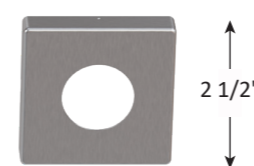


L71



L83

ROSE OPTIONS



US32D



US10B



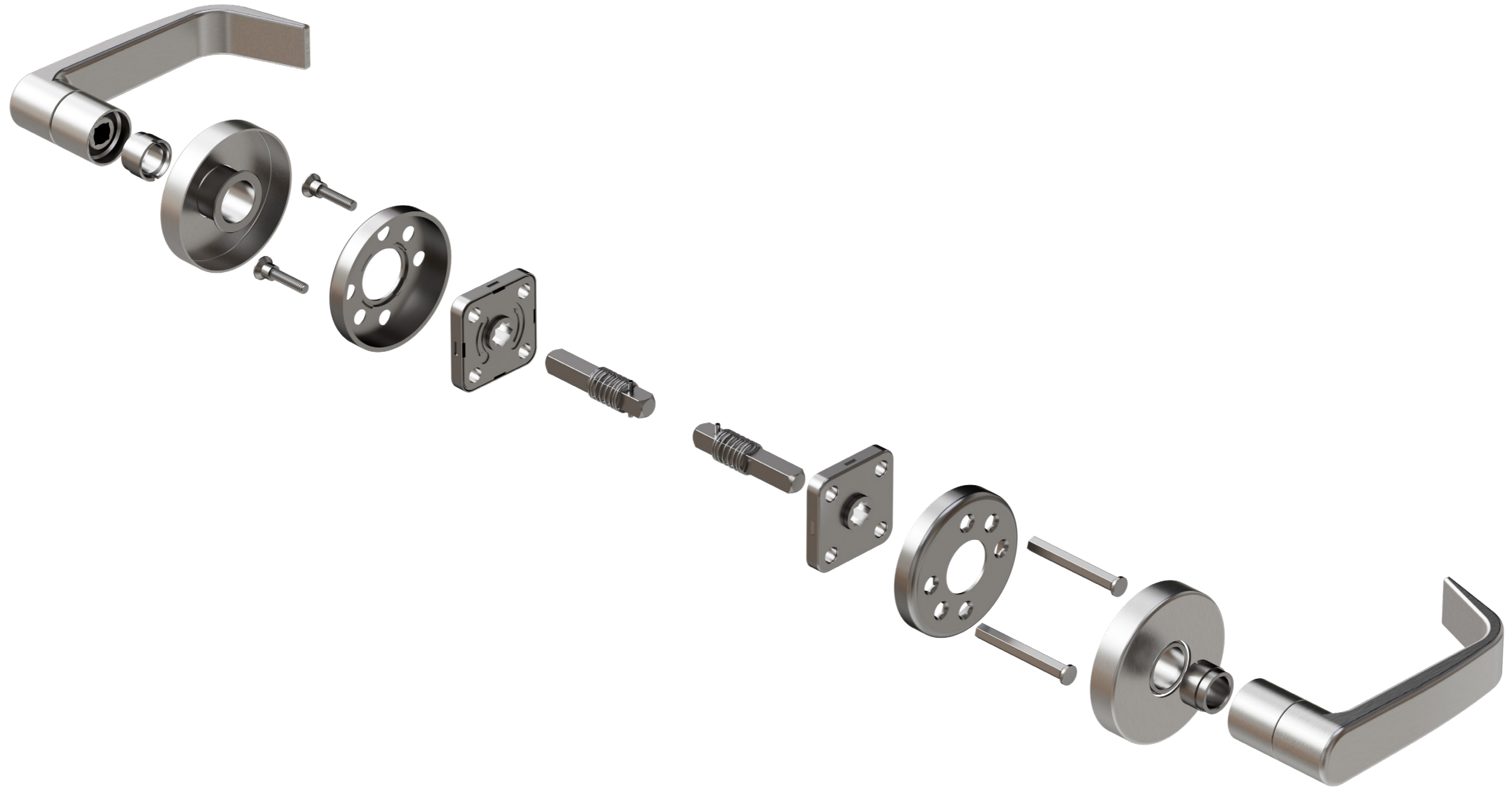
US4



Multi Finishes
Available

SS303 solid cast levers
SS304 rose
Various finishes available

STAINLESS STEEL LEVER



THUMB TURN OPTIONS



Thumb Turn Options



Emergency turn



Cylinder



SS303 turn
SS304 rose
Various finishes available

M30 SERIES

Indicator Mortise Locks



GRADE 1 SECURITY

Meets the highest industry standards for durability, security, and performance.



FIRE SAFETY COMPLIANCE

UL 10C listed 3-hour fire rating enhances safety and meets building codes.



PREMIUM MATERIALS

Stainless steel handles, trim and lock body for strength and corrosion resistance

APPLICATION SCENARIOS



Office buildings



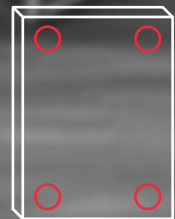
Healthcare



Mothers' room



Public rest room



Trim secured with four through-bolts for superior strength and vandal resistance

Versatile design

- Indicator trim provides clear locked/unlocked status at a glance.
- Eliminates the need to guess if a room is occupied or vacant

Flexibility

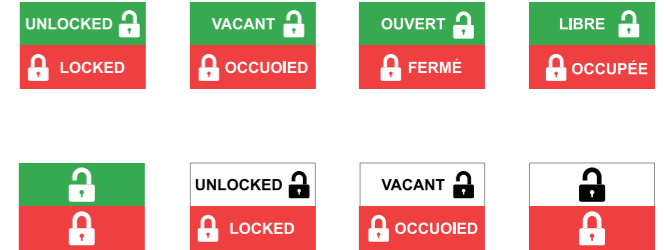
- Multi-function lock body.
- Quick reversible handing without disassembly.
- Multiple wording options available.

Quality

- ANSI Grade 1 mortise lock for high-traffic durability.
- Stainless steel lock case and components for enhanced strength and corrosion resistance.

Security

- Reinforced design with high-strength materials for superior vandal resistance.
- Four through-bolts secure indicator trim, preventing forced entry.



SPECIFICATIONS

Door preparation

ANSI/BHMA A156.115 or A156.115W

Door thickness

For doors 1-3/4" (45mm) to 2-1/4" (57mm) thick standard

Stile

4-1/2" (114mm) minimum stile

Backset

*Standard backset 2-3/4" (70mm)

CTC distance

Lever to cylinder center distance 3-7/8" (98mm)

Lock case

SS304, thickness 3/32"

Latch bolt

SS303, A156.13 Grade 1 latch bolt projection 3/4", 2 pcs anti-friction

Auxiliary latch bolt

SS304, 3/8" projection, non-handed

Dead bolt

17-4PH stainless steel, A156.13 Grade 1 dead bolt projection 1"

Face plate

SS304, ANSI/BHMA A156.115 8"×1-1/4"×1/16" (203×31.7×2.1mm)

Hub

AISI 4140 42CrMo steel

Cylinder

A14 Φ1-1/8" cylinder C28000 brass, satin nickel face 6 pin, 3 keys

Indicator trim

SS303 cast steel, thickness 9/64" (3.6mm)

Strike

4-7/8" ANSI curved lip strike Thickness 1/8" (3mm) SS304

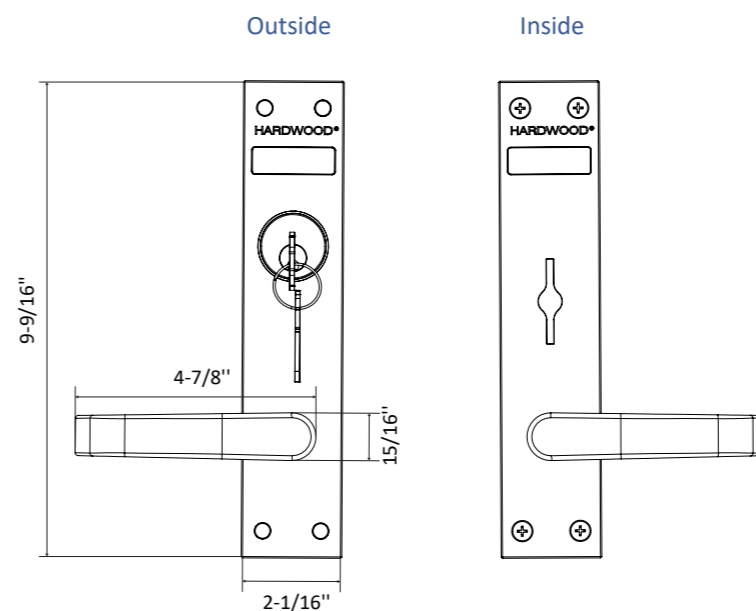
Strike box

PA66

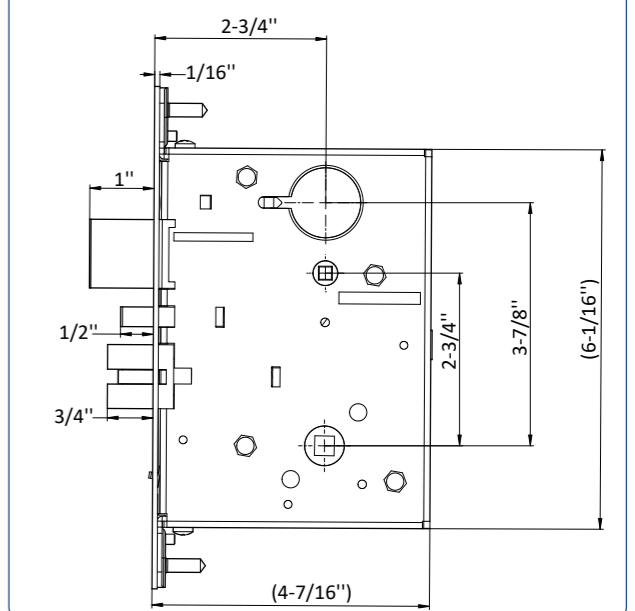
Hand

Field reversible latch bolt

PANEL DIMENSIONS



LOCK BODY DIMENSIONS



INDICATOR TRIM



M54 SERIES

Indicator Bathroom Lock



LED INDICATOR

Clear occupancy indication for enhanced privacy and convenience



GRADE 1 SECURITY

Meets the highest industry standards for durability, security, and performance.



FIRE SAFETY COMPLIANCE

UL 10C listed 3-hour fire rating enhances safety and meets building codes.



PREMIUM MATERIALS

Stainless steel handles, trim and lock body for strength and corrosion resistance

APPLICATION SCENARIOS



Dressing room



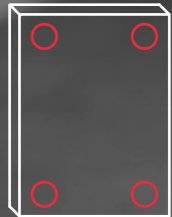
Bathroom



Mothers' room



Public rest room



Trim secured with four through-bolts for superior strength and vandal resistance



US32D



US4



US10B



Multi Finishes

SPECIFICATIONS

Indicator trim

SS304 housing, LED indicator

Lock body

Bathroom lock B20, SS304

Backset

Standard backset 2-3/4" (70mm)

CTC distance

Lever to cylinder center distance 2-31/32" (75mm)

Latch bolt

SS303, A156.13 Grade 1 latch bolt projection 3/4"

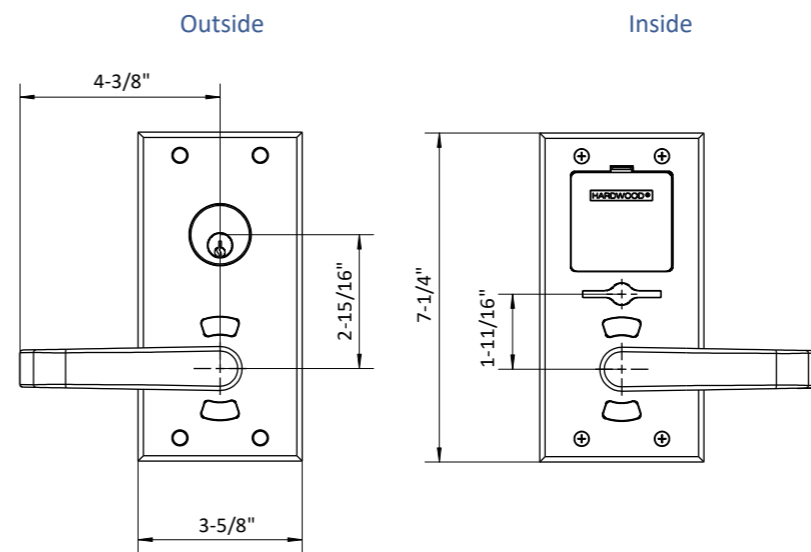
Cylinder

A14 Φ 1-1/8" cylinder, C28000 brass, 6 pins

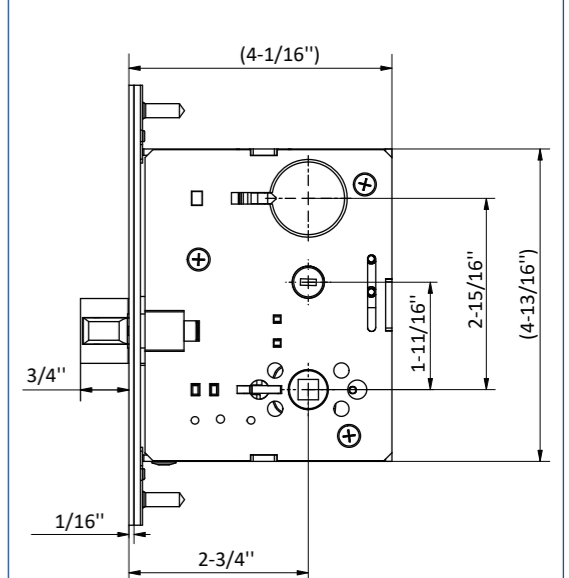
Power

4 AA batteries

PANEL DIMENSIONS



LOCK BODY DIMENSIONS



M51 SERIES

Electronic Mortise Lock



ACCESS CONTROL

Combines electronic access control with heavy-duty mortise lock security



GRADE 1 SECURITY

Meets the highest industry standards for durability, security, and performance.



FIRE SAFETY COMPLIANCE

UL 10C listed 3-hour fire rating enhances safety and meets building codes.



PREMIUM MATERIALS

Stainless steel handles, trim and lock body for strength and corrosion resistance

APPLICATION SCENARIOS



Office buildings



Hotel



Apartment



Senior living facilities



Trim secured with four through-bolts for superior strength and vandal resistance

- Combines electronic access control with heavy-duty mortise lock security
- Multiple access methods of fingerprint, PIN code, RFID credential, and mechanical key override
- Fast and convenient keyless entry operation
- Commercial-grade durability for high-traffic applications
- Enhanced security and user management convenience



Fingerprint Access



NFC Access



PIN Code Access



Mechanical Key Access



US32D



US4



US10B



Multi Finishes

SPECIFICATIONS

Electronic trim

SS303 cast escutcheon trim

Lock body

DD20 lock body, ANSI F20 Apartment Corridor Lock, SS304

Backset

Standard backset 2-3/4" (70mm)

CTC distance

Cylinder to lever distance 3-7/8" (98mm)

Latch bolt

SS303, A156.13 Grade 1 latch bolt projection 3/4", 2 pcs anti-friction

Auxiliary latch bolt

SS304, 3/8" projection, non-handed

Dead bolt

17-4PH stainless steel, A156.13 Grade 1 dead bolt projection 1"

Cylinder

A13 Φ 1-1/8" cylinder, C28000 brass, 6 pins

Touch screen

Tempered glass

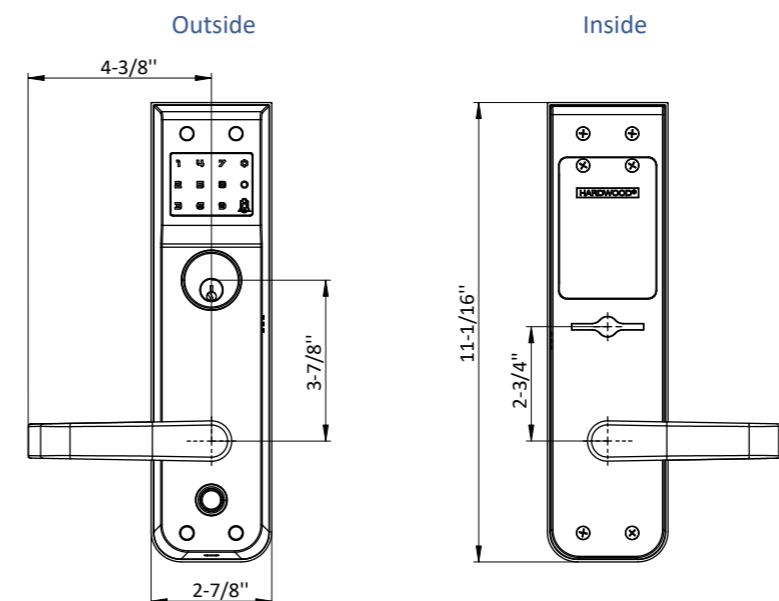
Power

4 AA batteries for 2 years normal life

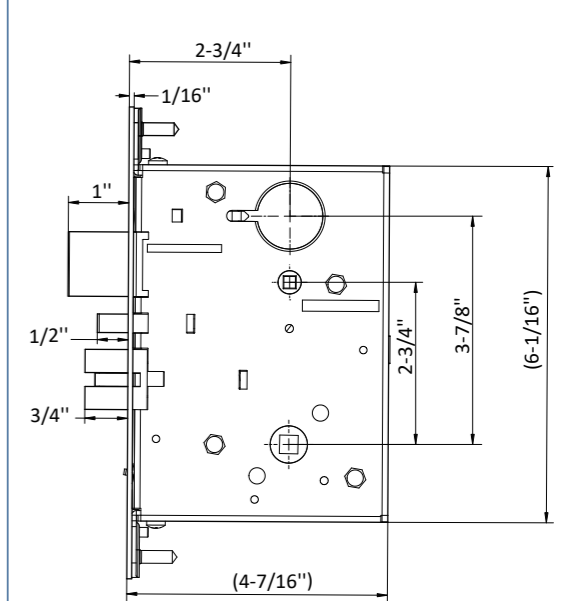
Emergency power

USB interface

PANEL DIMENSIONS



LOCK BODY DIMENSIONS



M50 SERIES

Electronic Mortise Lock for Passage



ACCESS CONTROL

Combines electronic access control with heavy-duty mortise lock security



GRADE 1 SECURITY

Meets the highest industry standards for durability, security, and performance.



FIRE SAFETY COMPLIANCE

UL 10C listed 3-hour fire rating enhances safety and meets building codes.



PREMIUM MATERIALS

Stainless steel handles, trim and lock body for strength and corrosion resistance

APPLICATION SCENARIOS



Senior living facilities



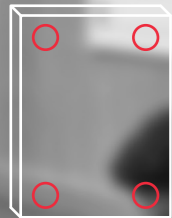
Office buildings



Hotel



Apartment



Trim secured with four through-bolts for superior strength and vandal resistance

- Combines electronic access control with heavy-duty mortise lock security
- Multiple access methods of PIN code, RFID credential, and mechanical key override
- Fast and convenient keyless entry operation
- Commercial-grade durability for high-traffic applications
- Enhanced security and user management convenience



NFC Access



PIN Code Access



Mechanical Key Access



US32D



US4



US10B



Multi Finishes

SPECIFICATIONS

Electronic trim

SS303 cast escutcheon trim

Lock body

Passage lock B00, SS304, with electronic clutch inside

Backset

Standard backset 2-3/4" (70mm)

CTC distance

Lever to cylinder center distance 2-31/32" (75mm)

Latch bolt

SS303, A156.13 Grade 1 latch bolt projection 3/4"

Cylinder

A16 Φ 1-1/8" cylinder, C28000 brass, 6 pins

Touch screen

Tempered glass

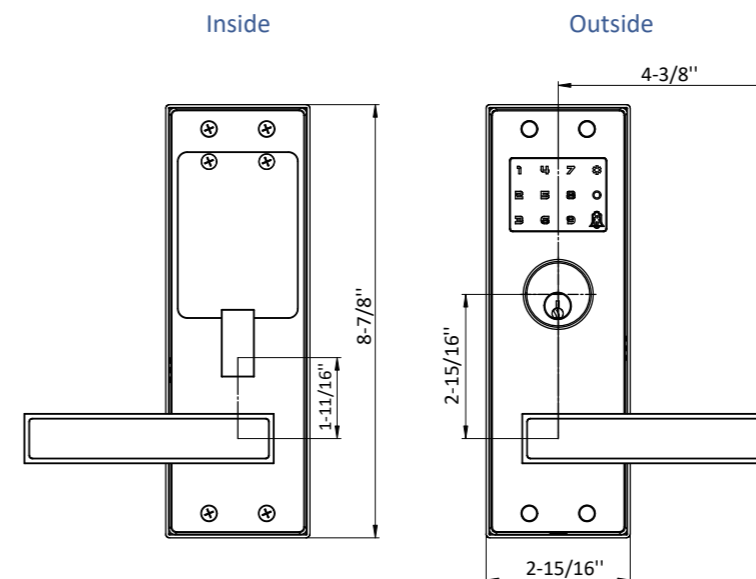
Power

4 AA batteries for 2 years normal life

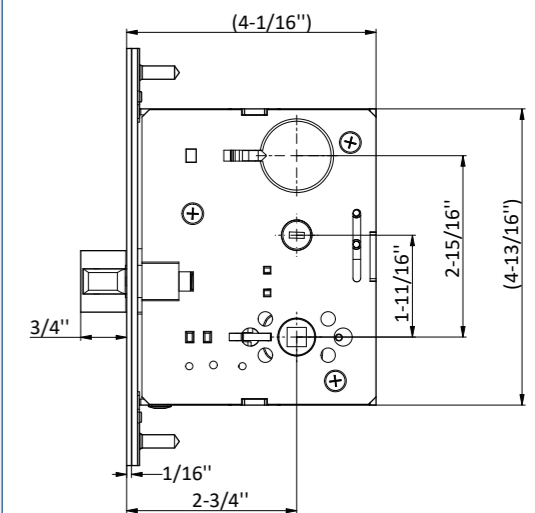
Emergency power

USB interface

PANEL DIMENSIONS



LOCK BODY DIMENSIONS



M53 SERIES

European Smart Lock



ACCESS CONTROL

Combines electronic access control with heavy-duty mortise lock security



HIGHEST SECURITY

Meets the highest industry standards for durability, security, and performance.



FIRE SAFETY COMPLIANCE

Compliant with EN179 emergency exit hardware standard.



PREMIUM MATERIALS

Stainless steel handles, trim and lock body for strength and corrosion resistance

APPLICATION SCENARIOS



Senior living facilities



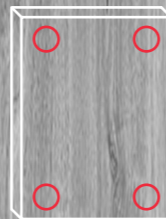
Office buildings



Hotel



Apartment



Trim secured with four through-bolts for superior strength and vandal resistance

- Combines electronic access control with heavy-duty mortise lock security
- Multiple access methods of fingerprint, PIN code, RFID credential, and mechanical key override
- Fast and convenient keyless entry operation
- Commercial-grade durability for high-traffic applications
- Enhanced security and user management convenience



Fingerprint Access



NFC Access



PIN Code Access



Mechanical Key Access



US32D



US4



US10B



Multi Finishes

SPECIFICATIONS

Electronic trim

SS303 cast escutcheon trim

Latch bolt

SS303, projection 1/2" (12.7mm)

Touch screen

Tempered glass

Lock body

European lock body DE00, SS304, with electric clutch inside

Dead bolt

17-4PH stainless steel, projection 1" (25.4mm)

Power

4 AA batteries for 2 years normal life

Backset

Standard backset 2-9/32" (58mm)

Auxiliary dead bolt

SS303, projection 11/16" (17.5mm)

Emergency power

USB interface

CTC distance

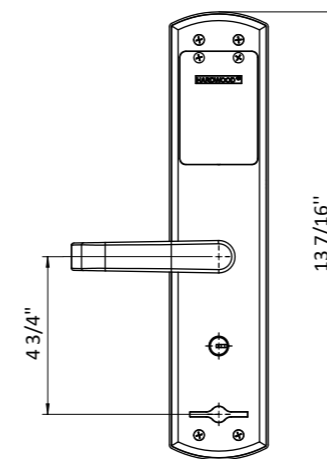
Lever to cylinder center distance 2-11/16" (68mm)

Cylinder

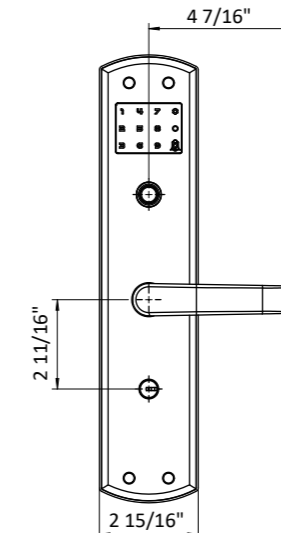
M53 European type cylinder, C28000 brass, 6 pins

PANEL DIMENSIONS

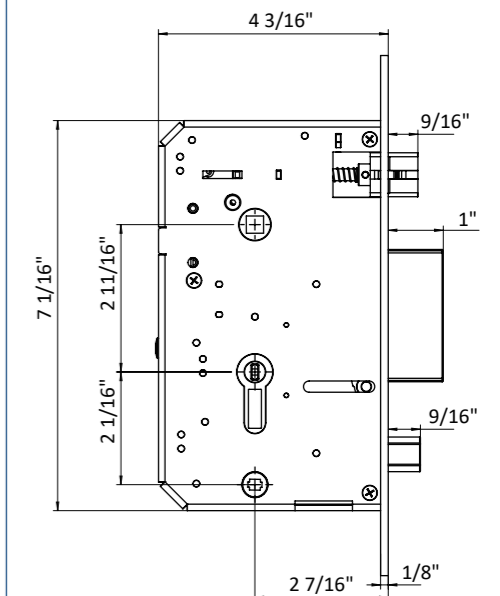
Outside



Inside



LOCK BODY DIMENSIONS



M60 SERIES

Sectional Electronic Mortise lock



ACCESS CONTROL

Split-type electronic architecture combining intelligent access control with heavy-duty mortise lock security.



GRADE 1 SECURITY

Meets the highest industry standards for durability, security, and performance.



FIRE SAFETY COMPLIANCE

UL 10C listed 3-hour fire rating enhances safety and meets building codes.



PREMIUM MATERIALS

Stainless steel handles, keypad and lock body for strength and corrosion resistance

APPLICATION SCENARIOS



Office buildings



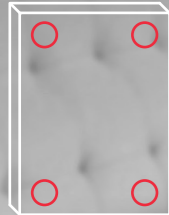
Hotel



Apartment



Healthcare



Keypad secured with four through-bolts for superior strength and vandal resistance

- Split keypad design enables flexible installation and a cleaner appearance
- Combines electronic access control with heavy-duty mortise lock security
- Multiple access methods of fingerprint, PIN code, RFID credential, and mechanical key override
- Fast and convenient keyless entry operation
- Commercial-grade durability for high-traffic applications
- Enhanced security and user management convenience



US32D



US4



US10B



Multi Finishes

SPECIFICATIONS

Electronic panel

SS303 cast, sectional keypad

Lock body

DG20 lock body, ANSI F20 Apartment Corridor Lock, SS304

Backset

Standard backset 2-3/4" (70mm)

CTC distance

Lever to cylinder center distance 3-7/8" (98mm)

Latch bolt

SS303, A156.13 Grade 1 latch bolt projection 3/4"

Dead bolt

17-4PH stainless steel, A156.13 Grade 1 dead bolt projection 1"

Auxiliary dead bolt

SS304, 3/8" projection, non-handed

Cylinder

A13 Φ 1-1/8" cylinder, C28000 brass, 6 pins

Touch screen

Tempered glass

Power

4 AA batteries for 2 years normal life

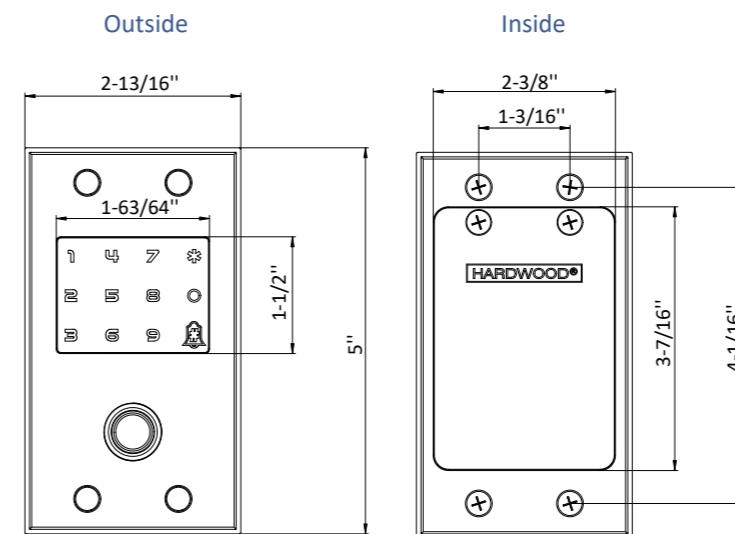
Emergency power

USB interface

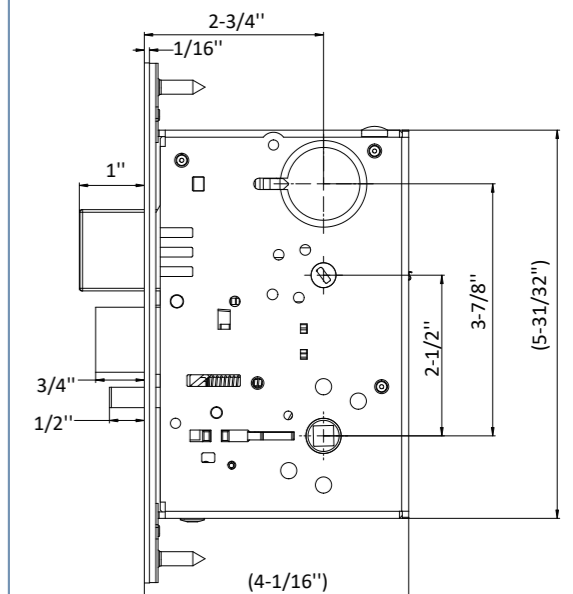
Access methods

Finger print, NFC, PIN code, key

PANEL DIMENSIONS



LOCK BODY DIMENSIONS



Hardwood management team recognizes and deeply understands that innovation and continuous improvement are key driven force for the company. We keep investing in R&D activities and have clearly defined growing annual budget for it. Engineers are using modern software, to design internal structure and esthetic appearance.

We keep following new trends, products and techniques in the door control industry. Every quarter Hardwood has regular seminar on new products / trends and each year we set a plan to launch numerous new products.



Customer-Focused Innovation

We collaborate closely with our customers to turn ideas into practical, high-value hardware solutions.



Advanced Engineering & Simulation

Using 3D CAD, FEA, and motion simulation, we validate design performance and optimize for real-world applications.



Prototyping & Testing

In-house prototyping and testing capabilities support design verification, functional evaluation, and performance validation to ensure reliability and product quality before mass production.



Design for Manufacturability (DFM)

We evaluate every detail to ensure efficient production, consistent quality, and cost-effective results.



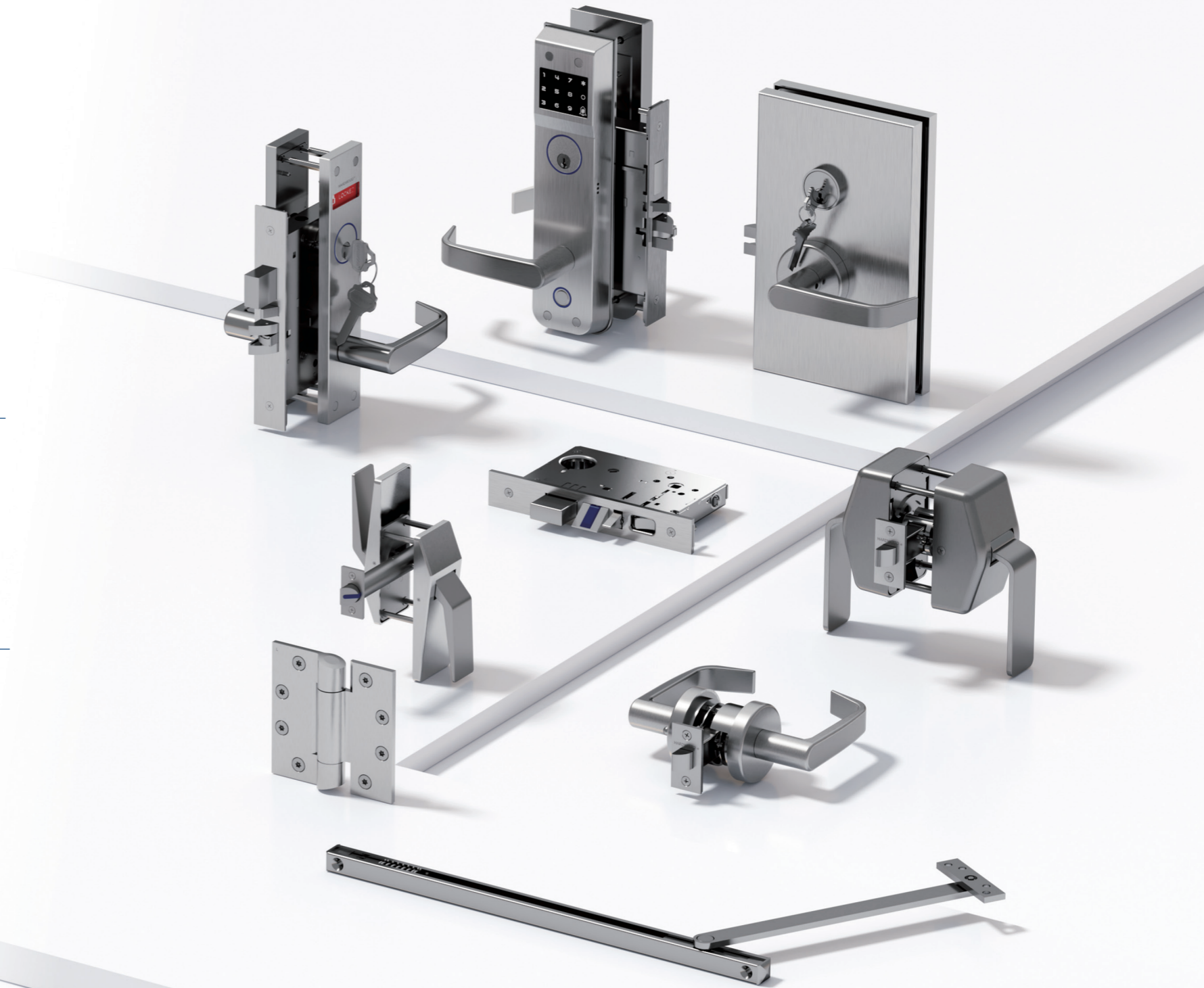
Quality & Reliability

Ensured through strict material control, standardized processes, and comprehensive testing at every production stage to deliver consistent performance and durability.



Continuous Improvement

We invest in tools, talent, and processes to continuously drive innovation and improve performance outcomes.



SOLUTIONS

Solutions tailored for modern door hardware and access control applications. Engineered to deliver security, durability, and seamless user experience.



Campus



Residential



Government



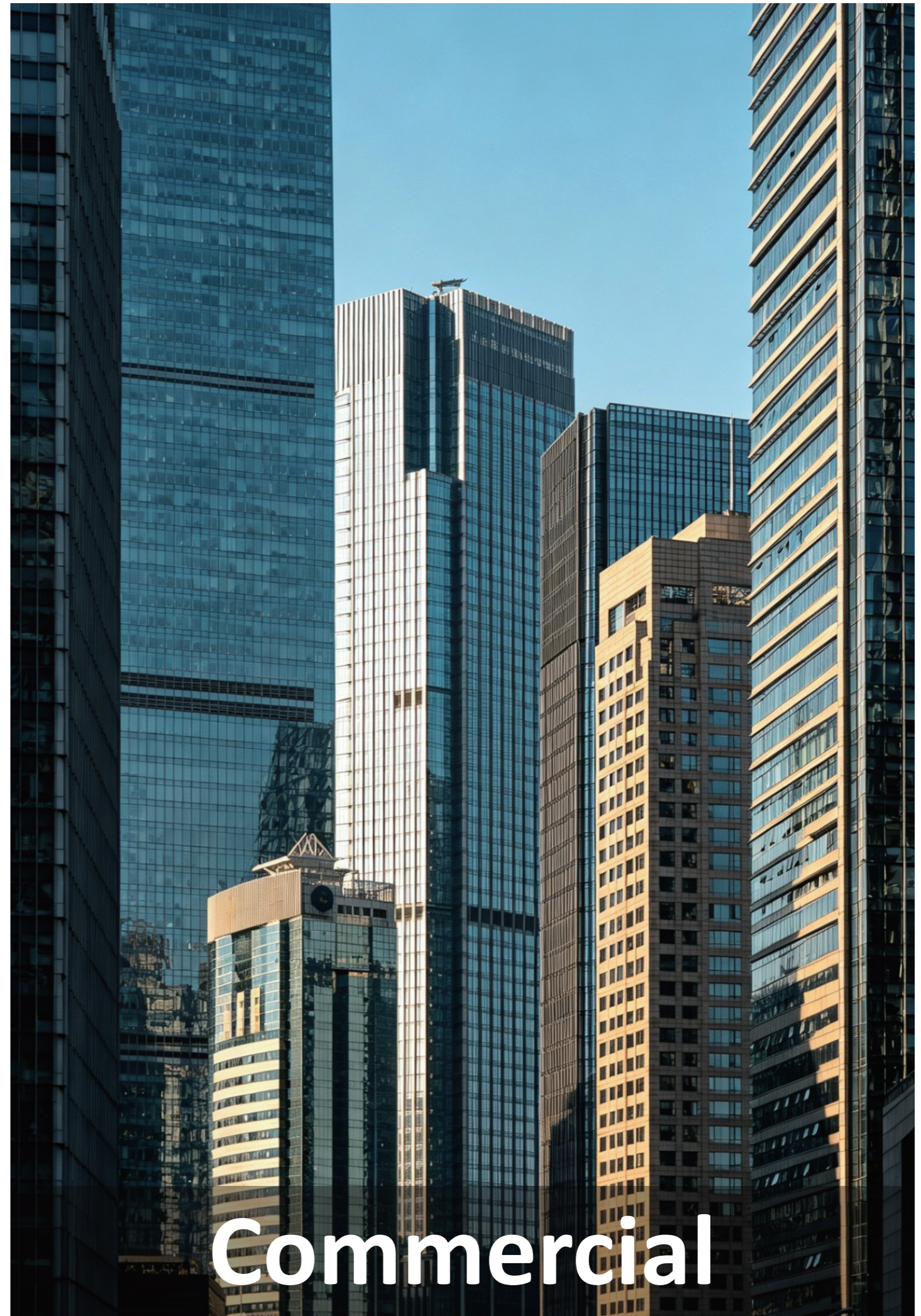
Healthcare



Banking



Airport



Commercial