

# P30 Series

## Overhead Stop

Heavy duty | Surface mount



## Description

The P30 Series surface mount overhead stop is designed and tested in accordance with ANSI/BHMA A156.8, meeting Grade 1 requirements and exceeding 250,000 cycles for heavy-duty performance and long-term reliability. Surface-mounted design allows easy installation with no mortising required for the channel.

Engineered to deliver effective door control with a positive stop function, the P30 Series prevents over-opening and provides reliable stopping action, protecting doors, frames, hinges, and door closers from damage caused by heavy traffic or abuse.



Compatible with a wide range of door and frame configurations with different hinges, it is suitable for both wood and metal doors. The installation is adjustable to accommodate door opening angles from 90° to 110°, and is available in multiple channel sizes to suit various door widths.

Ideal for high-traffic commercial environments such as offices, healthcare facilities, and educational buildings, the P30 Series ensures dependable performance even under demanding conditions.

## Features & Advantages

- Works in conjunction with floor door stoppers for improved door control and protection on the top
- Positive dead stop at selected opening angle to prevent over-travel and damage
- Spring cushions the door before it reaches full open stop
- Stainless steel channel and arm for strength and corrosion resistance
- All-metal construction as standard, suitable for fire-rated doors
- Suitable for high-traffic and heavy-duty commercial applications
- Protects door, frame, hinges, and door closer from impact damage
- Adjustable for different door opening angles and installation conditions
- Compatible with a wide range of door types and hinge systems

## Certification & Compliance

	<p>Certified with ANSI/BHMA A156.8 Grade 1 function and strength. Tested over 250,000 cycles.</p>
	<p>ANSI/UL 10B, Fire Tests of Door Assemblies. ANSI/UL 10C, Positive Pressure Fire Tests of Door Assemblies. CAN/ULC-S104, Standard Method for Fire Tests of Door Assemblies.</p>

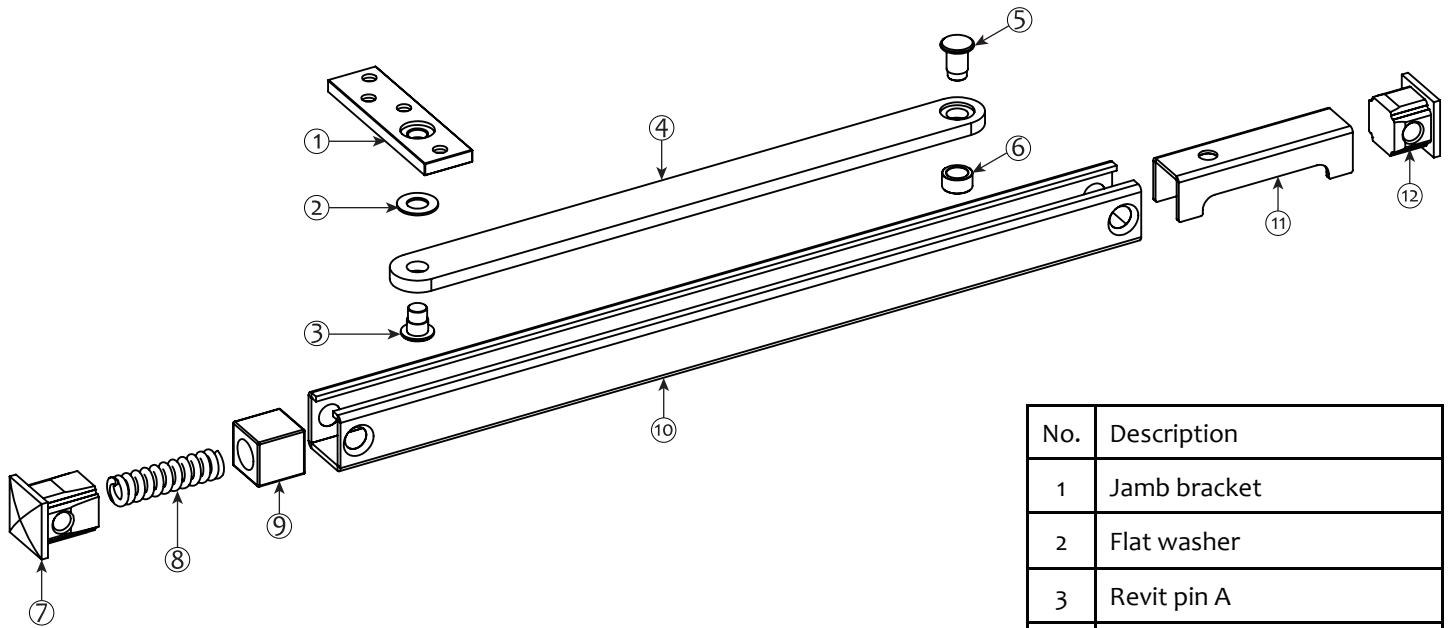
## Specifications

ANSI no.	C02541
Type	Heavy duty
Installation	Surface mount
Function	Stop
Door type	Interior/exterior, single acting
Door thickness	Min. 1-3/4" (44mm)
Door width	24"~50" (610~1270mm)
Handing	Non-handed
Door opening	90°~110°
Channel	C-shaped SS304 channel, 1-1/8" (29.4mm) section, thickness 1/8" (2.7mm)
Arm	SS304, thickness 3/16"5mm
Jamb bracket	SS304, thickness 1/4" (6.35mm)
Slider	Galvanized CRS, thickness 1/16" (2mm)
Shock block	Galvanized AISI1045
End caps	ZAMAK 5 Zinc alloy
Finishes	US32D

## Channel Length Options

Model No.	Channel Length	Function	ANSI No.
P301	16-11/16"	Stop	C02541
P302	17-15/16"		
P303	19-7/16"		
P304	21-9/16"		
P305	23-1/16"		

## Product Components



No.	Description
1	Jamb bracket
2	Flat washer
3	Revit pin A
4	Arm
5	Revit pin B
6	Sleeve
7	End cap A
8	Spring
9	Shock block
10	Channel
11	Cam slider
12	End cap B

## Typical door types for installation

