

# Sliding Door System

Hardwood Door Control Tech (Ningbo) Co., Ltd.



A trusted global partner in functional and decorative opening solutions

Delivering reliable opening solutions that combine performance, aesthetics, and sustainability

---

## CONTACT US

- 📍 Ningbo, China
- ✉ [sales@hardwoodsecurity.com](mailto:sales@hardwoodsecurity.com)
- 🌐 [www.hardwoodsecurity.com](http://www.hardwoodsecurity.com)

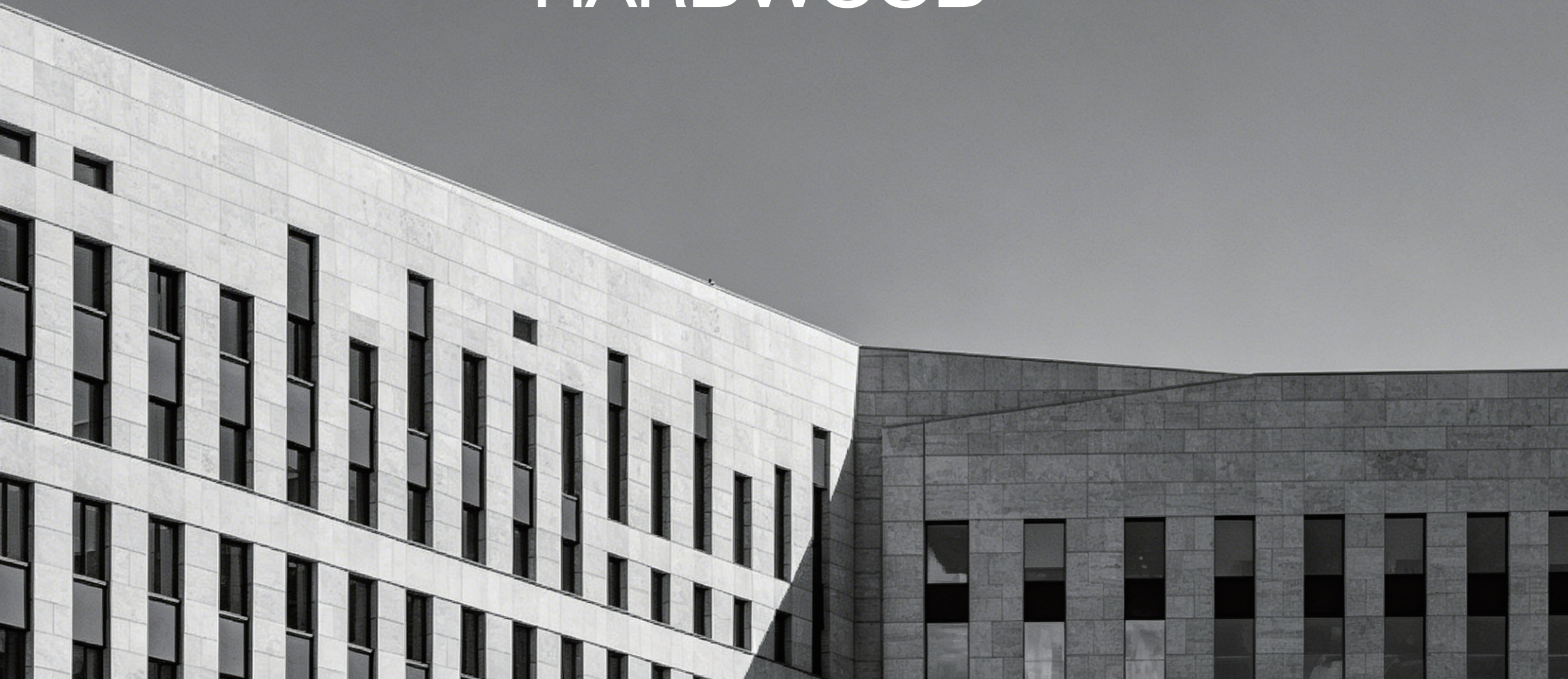
@ 2026 All rights reserved  
Specifications are subject to change without notice.

---

[www.hardwoodsecurity.com](http://www.hardwoodsecurity.com)



HARDWOOD®



HARDWOOD®

# INTRODUCTION

## ABOUT US

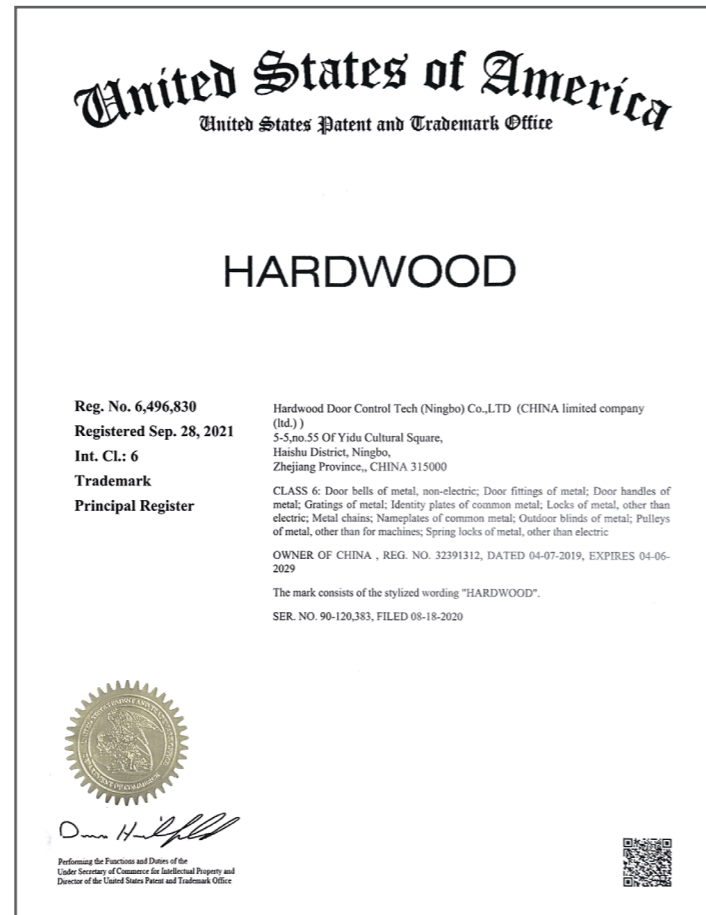
A trusted global partner in functional and decorative opening solutions



Hardwood is an innovative and professional company engaged in research, development, design and manufacturing of Locksets, fittings, sliding door system and numerous architectural hardware. The founder and core members have over 30 years' experience in door control industry.



Delivering reliable opening solutions that combine performance, aesthetics, and sustainability.

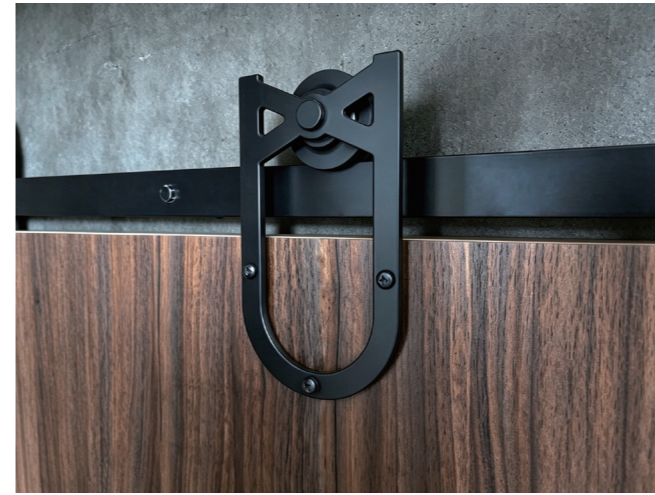


30+  
Years

100+  
Serving Clients

300+  
Product Portfolio





## S70 SERIES

### SLIDING DOOR SYSTEM

The S70 Series sliding door system is designed for clean, unmarked wooden sliding doors, with hangers mounted to the door's top edge.

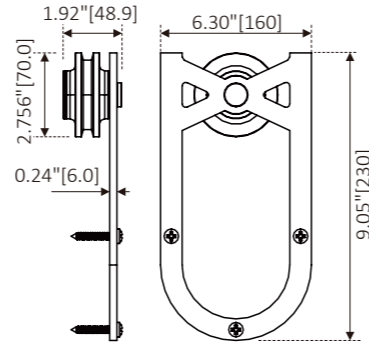
Compatible with 35–45mm thick wood doors, crafted from durable SS304 or carbon steel, and fully adjustable for smooth operation.

Multiple hanger Configurations (S70-W1201 to W1207) work with the TF-1 track system, supporting up to 180 lbs doors in wall or ceiling-mounted installations.

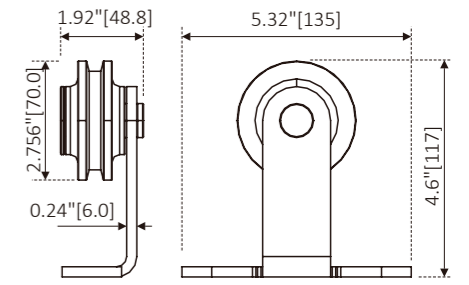




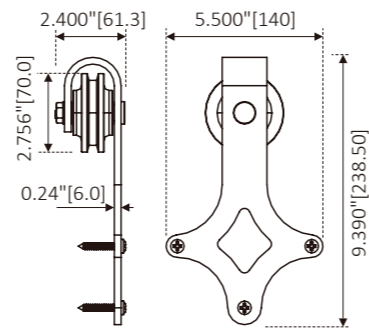
Model #	S70-W1201
Function	Wood
Door Thickness	1-3/8" [35mm] 1-9/16" [40mm] 1-3/4" [45mm]
Track No	TF-1
Material	SS304 / Carbonsteel



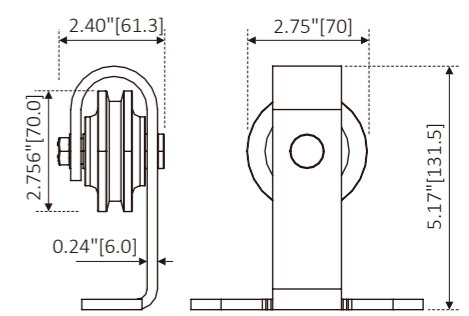
Model #	S70-W1206
Function	Wood
Door Thickness	1-3/8" [35mm] 1-9/16" [40mm] 1-3/4" [45mm]
Track No	TF-1
Material	SS304 / Carbonsteel



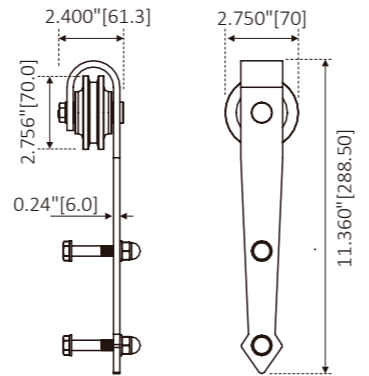
Model #	S70-W1202
Function	Wood
Door Thickness	1-3/8" [35mm] 1-9/16" [40mm] 1-3/4" [45mm]
Track No	TF-1
Material	SS304 / Carbonsteel



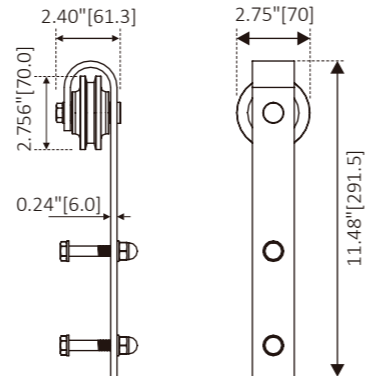
Model #	S70-W1207
Function	Wood
Door Thickness	1-3/8" [35mm] 1-9/16" [40mm] 1-3/4" [45mm]
Track No	TF-1
Material	SS304 / Carbonsteel



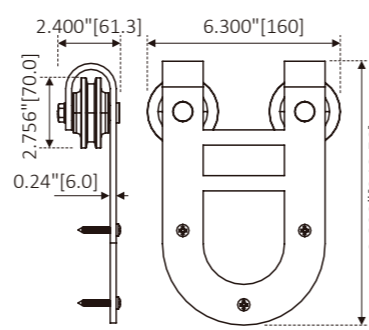
Model #	S70-W1203
Function	Wood
Door Thickness	1-3/8" [35mm] 1-9/16" [40mm] 1-3/4" [45mm]
Track No	TF-1
Material	SS304 / Carbonsteel



Model #	S70-W1204
Function	Wood
Door Thickness	1-3/8" [35mm] 1-9/16" [40mm] 1-3/4" [45mm]
Track No	TF-1
Material	SS304 / Carbonsteel



Model #	S70-W1205
Function	Wood
Door Thickness	1-3/8" [35mm] 1-9/16" [40mm] 1-3/4" [45mm]
Track No	TF-1
Material	SS304 / Carbonsteel



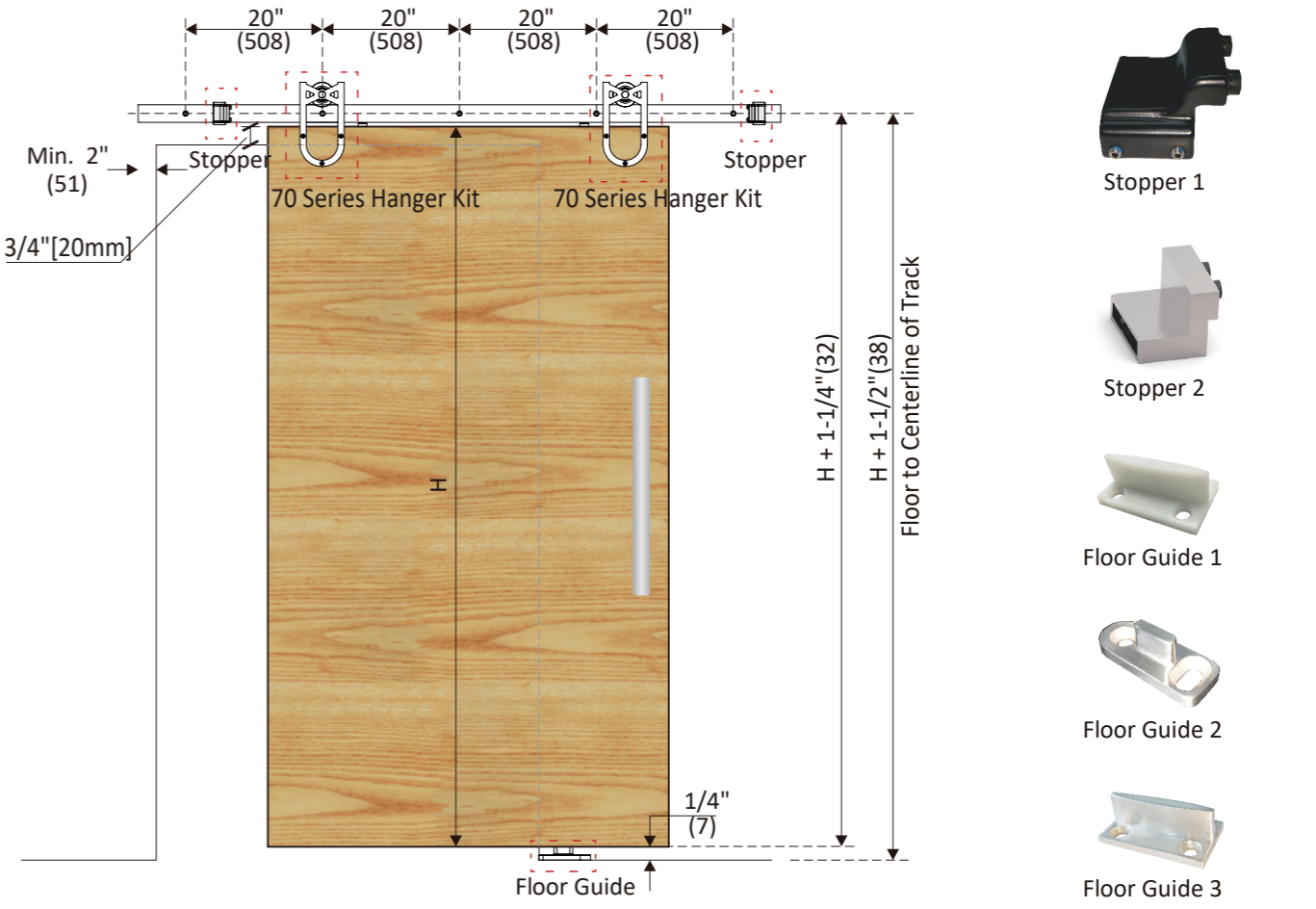
**Finishes Available**

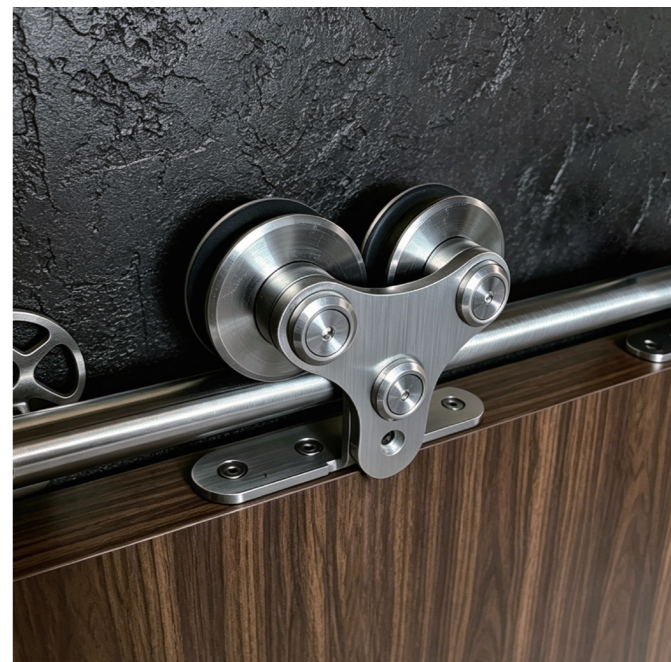
US32D US32 US10B SUEDE BLACK RAWSTEEL

**Door Weight**

180 lbs

**70 Series Installation**





## S60 SERIES

SLIDING DOOR SYSTEM

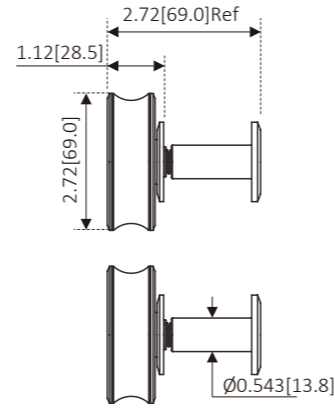
The S60 Series is built for universal compatibility and dependable performance, ideal for both wood and glass sliding doors. Crafted from durable SS304 stainless steel, it supports door thicknesses from 35–51mm (wood) and 8–12mm (glass), with 8 distinct configurations to suit every door weight and installation requirement.

Fully compatible with TR, TH, and TF series tracks, the system features a low-profile, minimalist design that complements modern interiors, while precision-engineered rollers ensure smooth, quiet operation. Rated to carry doors up to 240 lbs, the S60 Series delivers versatile, reliable performance for residential and commercial projects alike.

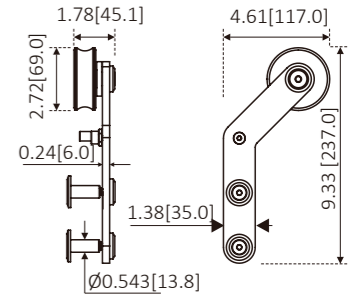




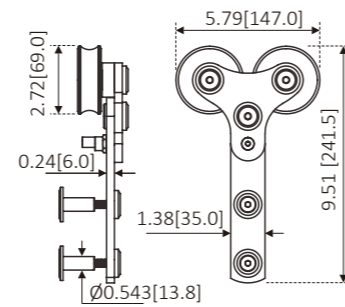
Model #	S60-W2401	S60-G2401
Function	Wood	Glass
Door Thickness	1-9/16" [40mm] 1-3/4" [45mm] 2" [51mm]	5/16" [8mm] ~ 1/2" [12mm]
Track No	TR-1 / TR-2 TH-1 / TH-2 TF-2 / TF-3	
Material	SS304	



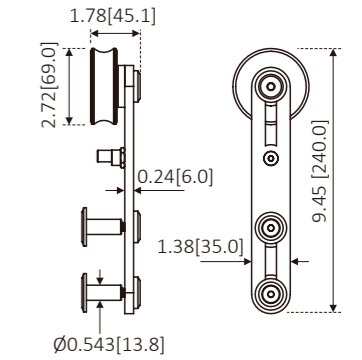
Model #	S60-W2405	S60-G2405
Function	Wood	Glass
Door Thickness	1-9/16" [40mm] 1-3/4" [45mm] 2" [51mm]	5/16" [8mm] ~ 1/2" [12mm]
Track No	TR-1 / TR-2 TH-1 / TH-2 TF-2 / TF-3	
Material	SS304	



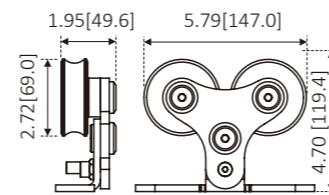
Model #	S60-W2402	S60-G2402
Function	Wood	Glass
Door Thickness	1-3/8" [35mm] 1-9/16" [40mm] 1-3/4" [45mm] 2" [51mm]	5/16" [8mm] ~ 1/2" [12mm]
Track No	TR-1 / TR-2 TH-1 / TH-2 TF-2 / TF-3	
Material	SS304	



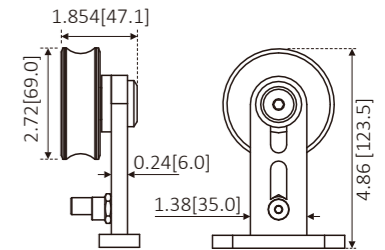
Model #	S60-W2406	S60-G2406
Function	Wood	Glass
Door Thickness	1-3/8" [35mm] 1-9/16" [40mm] 1-3/4" [45mm] 2" [51mm]	5/16" [8mm] ~ 1/2" [12mm]
Track No	TR-1 / TR-2 TH-1 / TH-2 TF-2 / TF-3	
Material	SS304	



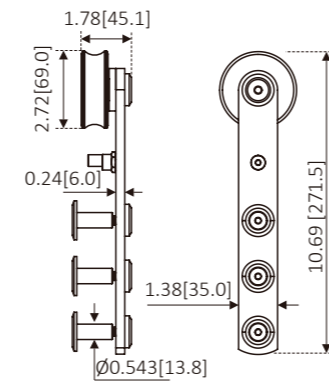
Model #	S60-W2403
Function	Wood
Door Thickness	1-3/8" [35mm] 1-9/16" [40mm] 1-3/4" [45mm] 2" [51mm]
Track No	TR-1 / TR-2 TH-1 / TH-2 TF-2 / TF-3
Material	SS304



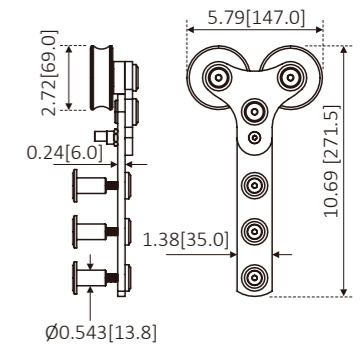
Model #	S60-W2407
Function	Wood
Door Thickness	1-3/8" [35mm] 1-9/16" [40mm] 1-3/4" [45mm] 2" [51mm]
Track No	TR-1 / TR-2 TH-1 / TH-2 TF-2 / TF-3
Material	SS304



Model #	S60-W2404	S60-G2404
Function	Wood	Glass
Door Thickness	1-3/8" [35mm] 1-9/16" [40mm] 1-3/4" [45mm] 2" [51mm]	5/16" [8mm] ~ 1/2" [12mm]
Track No	TR-1 / TR-2 TH-1 / TH-2 TF-2 / TF-3	
Material	SS304	



Model #	S60-W2408	S60-G2408
Function	Wood	Glass
Door Thickness	1-3/8" [35mm] 1-9/16" [40mm] 1-3/4" [45mm] 2" [51mm]	5/16" [8mm] ~ 1/2" [12mm]
Track No	TR-1 / TR-2 TH-1 / TH-2 TF-2 / TF-3	
Material	SS304	





## S40 SERIES

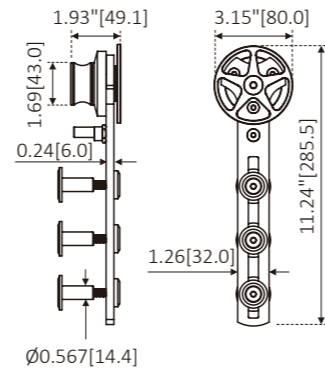
### SLIDING DOOR HANGER SYSTEM

The S40 Series balances functional innovation with elevated design, tailored for projects where performance and aesthetic detail go hand in hand. Standout features include distinctive five-spoke decorative rollers and adjustable slotted hangers, which allow flexible mounting positioning to simplify on-site installation and alignment.

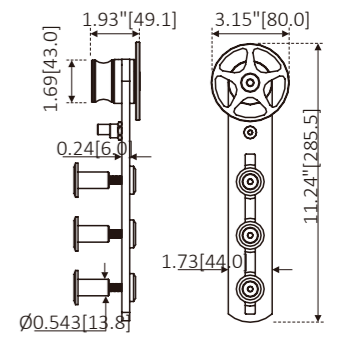
Crafted from SS304 stainless steel, the system supports both wood (35–51mm) and glass (8–12mm) doors, and is available in two premium finishes: US32D satin and US32 bright polished. Compatible with all standard track systems and rated for up to 240 lbs doors, the S40 Series blends style, installation ease, and robust performance for high-end spaces.



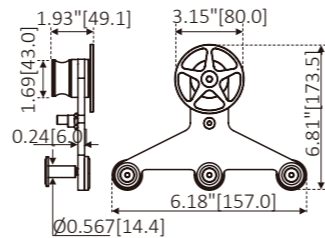
Model #	S40-W2401	S40-G2401
Function	Wood	Glass
Door Thickness	1-9/16" [40mm] 1-3/4" [45mm] 2" [51mm]	5/16" [8mm] ~ 1/2" [12mm]
Track No	TR-1 / TR-2 TH-1 / TH-2 TF-2 / TF-3	
Material	SS304	



Model #	S40-W2405	S40-G2405
Function	Wood	Glass
Door Thickness	1-9/16" [40mm] 1-3/4" [45mm] 2" [51mm]	5/16" [8mm] ~ 1/2" [12mm]
Track No	TR-1 / TR-2 TH-1 / TH-2 TF-2 / TF-3	
Material	SS304	



Model #	S40-W2402	S40-G2402
Function	Wood	Glass
Door Thickness	1-3/8" [35mm] 1-9/16" [40mm] 1-3/4" [45mm] 2" [51mm]	5/16" [8mm] ~ 1/2" [12mm]
Track No	TR-1 / TR-2 TH-1 / TH-2 TF-2 / TF-3	
Material	SS304	



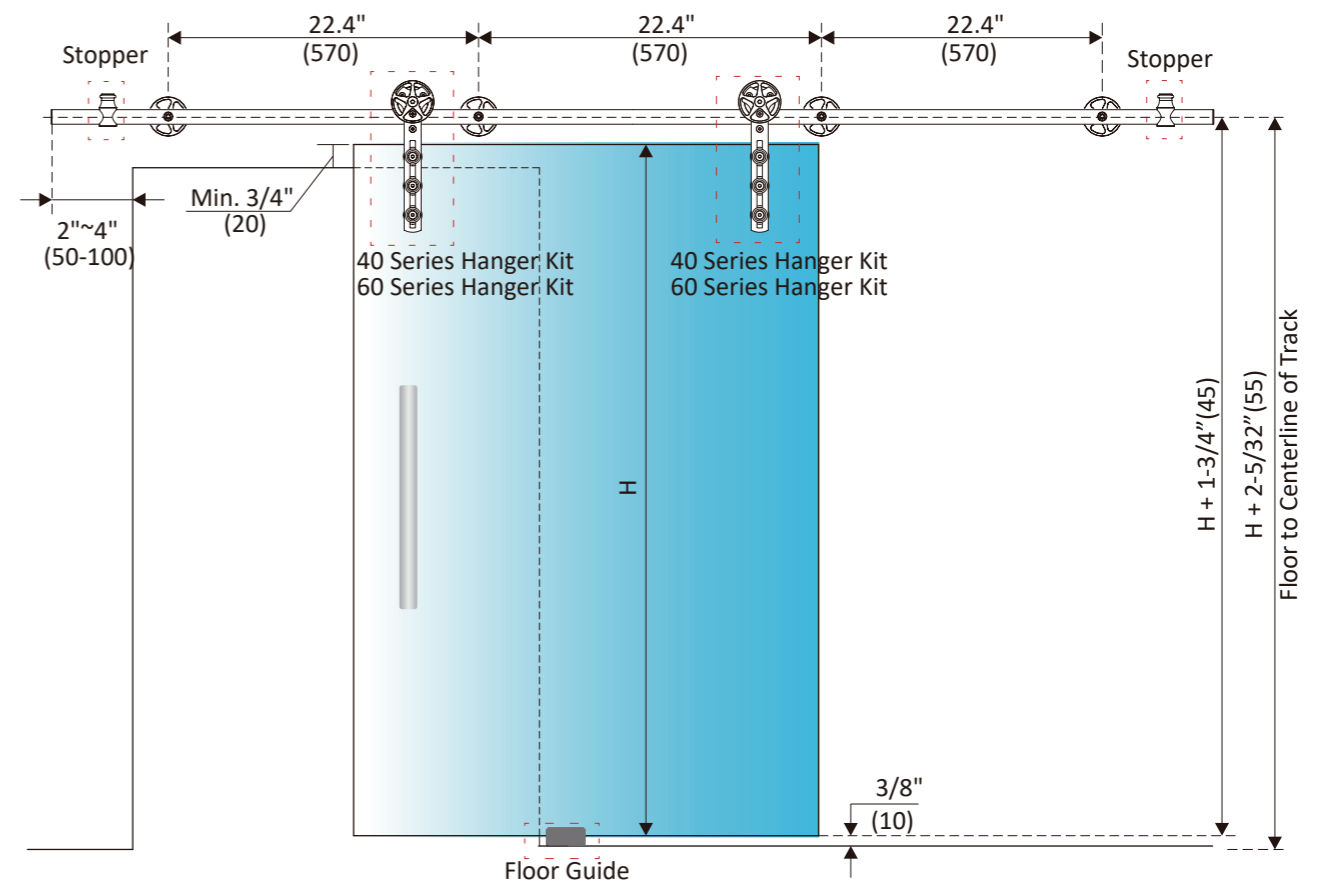
Finishes Available      Door Weight

US32D

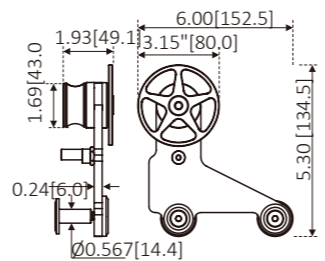
US32

240 lbs

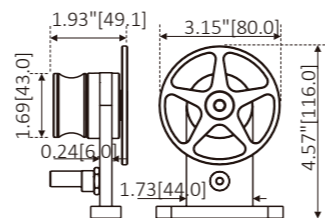
### 60 & 40 Series Installation

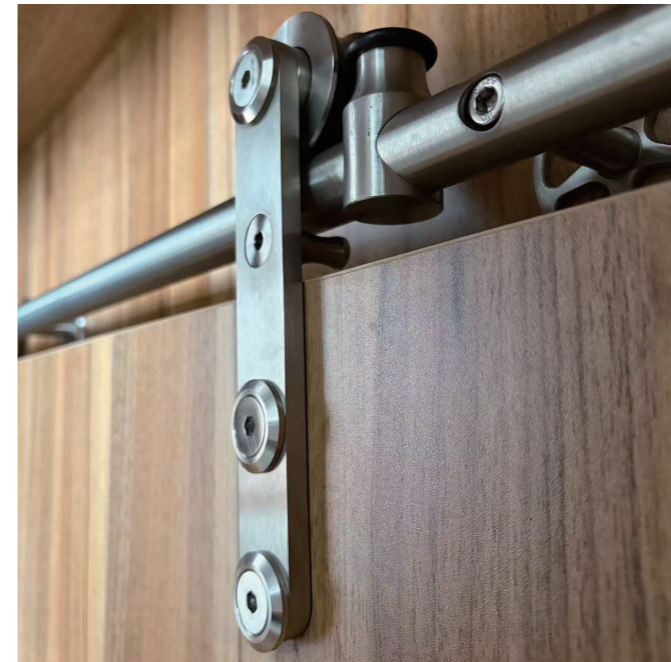


Model #	S40-W2403	S40-G2403
Function	Wood	Glass
Door Thickness	1-3/8" [35mm] 1-9/16" [40mm] 1-3/4" [45mm] 2" [51mm]	5/16" [8mm] ~ 1/2" [12mm]
Track No	TR-1 / TR-2 TH-1 / TH-2 TF-2 / TF-3	
Material	SS304	



Model #	S40-W2404
Function	Wood
Door Thickness	1-3/8" [35mm] 1-9/16" [40mm] 1-3/4" [45mm] 2" [51mm]
Track No	TR-1 / TR-2 TH-1 / TH-2 TF-2 / TF-3
Material	SS304





## S50 SERIES

### SLIDING DOOR SYSTEM

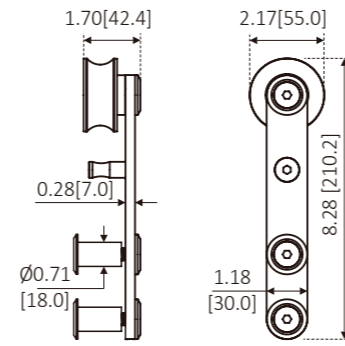
The S50 Series sets a new benchmark for quiet sliding performance with its exclusive “Wheel-Mounted Shock Absorbing Washer” system. Unlike conventional arm-mounted dampers, this integrated structure absorbs impact directly at the roller-track interface, delivering near-silent operation, reducing vibration, and minimizing wear on both hardware and track for extended service life.

Crafted from durable SS304 stainless steel, the system supports both wood (35–51mm) and glass (8–12mm) doors, with two premium finishes available: US32D satin and US32 bright polished. Compatible with TR-1/TR-2 tracks and rated for up to 240 lbs doors, the S50 Series combines streamlined design, reliable performance, and superior noise reduction for modern residential and commercial spaces.

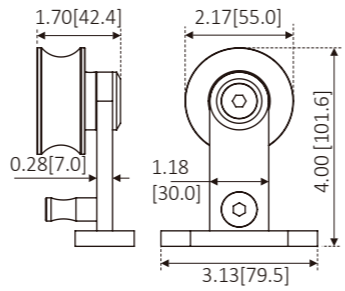




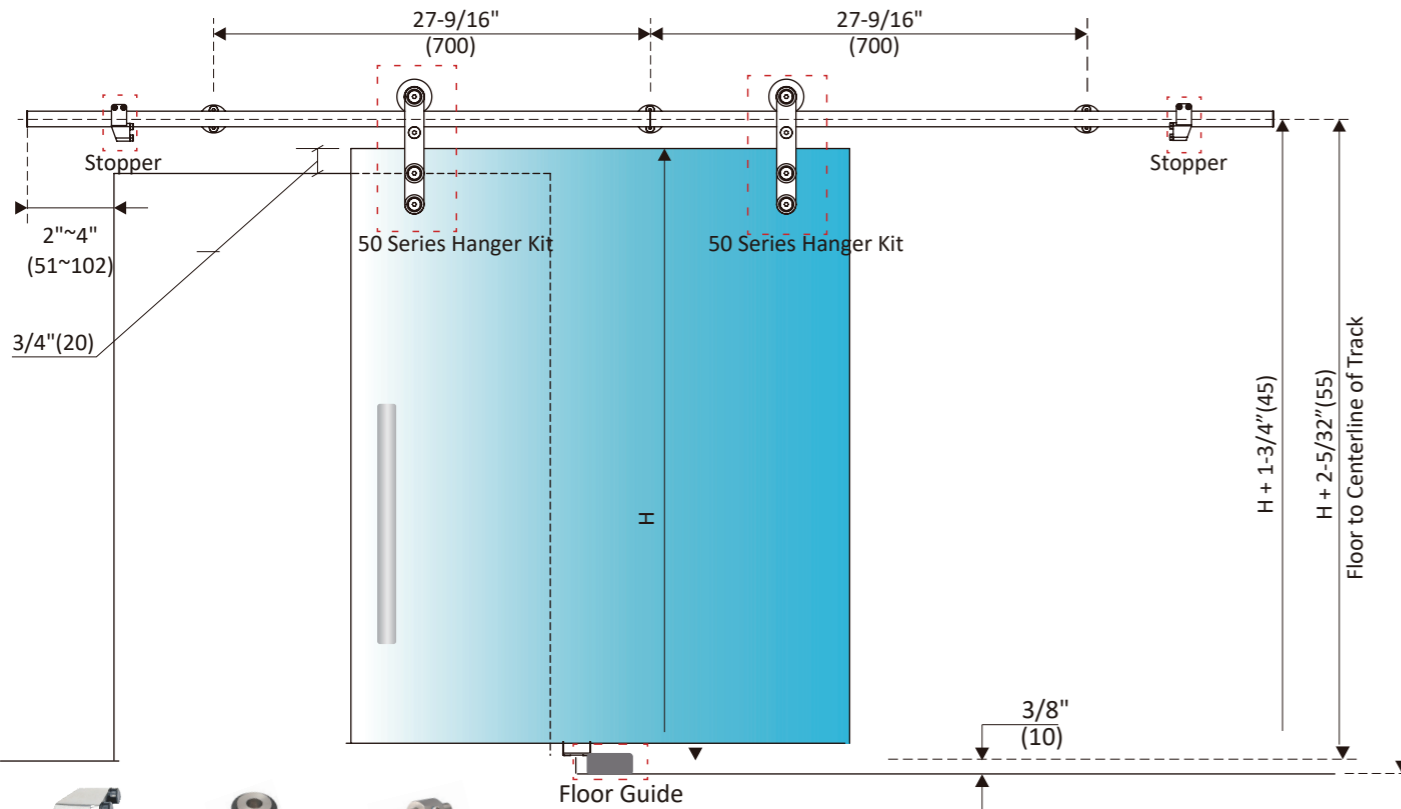
Model #	S50-W2401	S50-G2401
Function	Wood	Glass
Door Thickness	1-3/8" [35mm] 1-9/16" [40mm]	5/16" [8mm] ~ 1/2" [12mm]
Track No	TR-1 / TR-2	
Material	SS304	



Model #	S50-W2402
Function	Wood
Door Thickness	1-3/8" [35mm] 1-9/16" [40mm] 1-3/4" [45mm] 2" [51mm]
Track No	TR-1 / TR-2
Material	SS304



### 50 Series Installation



Finishes Available		Door Weight	
	US32D		US32
			240 lbs

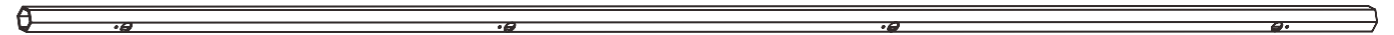
# TRACK

## Round Track



Track No.	TR-1	TR-2
Section	$\phi 25.4$ [ $\phi 1$ "]	$\phi 25.4$ [ $\phi 1$ "]

## Hexagonal Track



Track No.	TH-1	TH-2
Section	25.4 [1"]	25.4 [1"]

## Flat Track



Track No.	TF-1	TF-2	TF-3
Section	40mm x 6mm	30mm x 10mm	30mm x 10mm

Hardwood management team recognizes and deeply understands that innovation and continuous improvement are key driven force for the company. We keep investing in R&D activities and have clearly defined growing annual budget for it. Engineers are using modern software, to design internal structure and esthetic appearance.

We keep following new trends, products and techniques in the door control industry. Every quarter Hardwood has regular seminar on new products / trends and each year we set a plan to launch numerous new products.



### Customer-Focused Innovation

We collaborate closely with our customers to turn ideas into practical, high-value hardware solutions.



### Advanced Engineering & Simulation

Using 3D CAD, FEA, and motion simulation, we validate design performance and optimize for real-world applications.



### Prototyping & Testing

In-house prototyping and testing capabilities support design verification, functional evaluation, and performance validation to ensure reliability and product quality before mass production.



### Design for Manufacturability (DFM)

We evaluate every detail to ensure efficient production, consistent quality, and cost-effective results.



### Quality & Reliability

Ensured through strict material control, standardized processes, and comprehensive testing at every production stage to deliver consistent performance and durability.



### Continuous Improvement

We invest in tools, talent, and processes to continuously drive innovation and improve performance outcomes.



# SOLUTIONS

Solutions tailored for modern door hardware and access control applications. Engineered to deliver security, durability, and seamless user experience.



Campus



Residential



Government



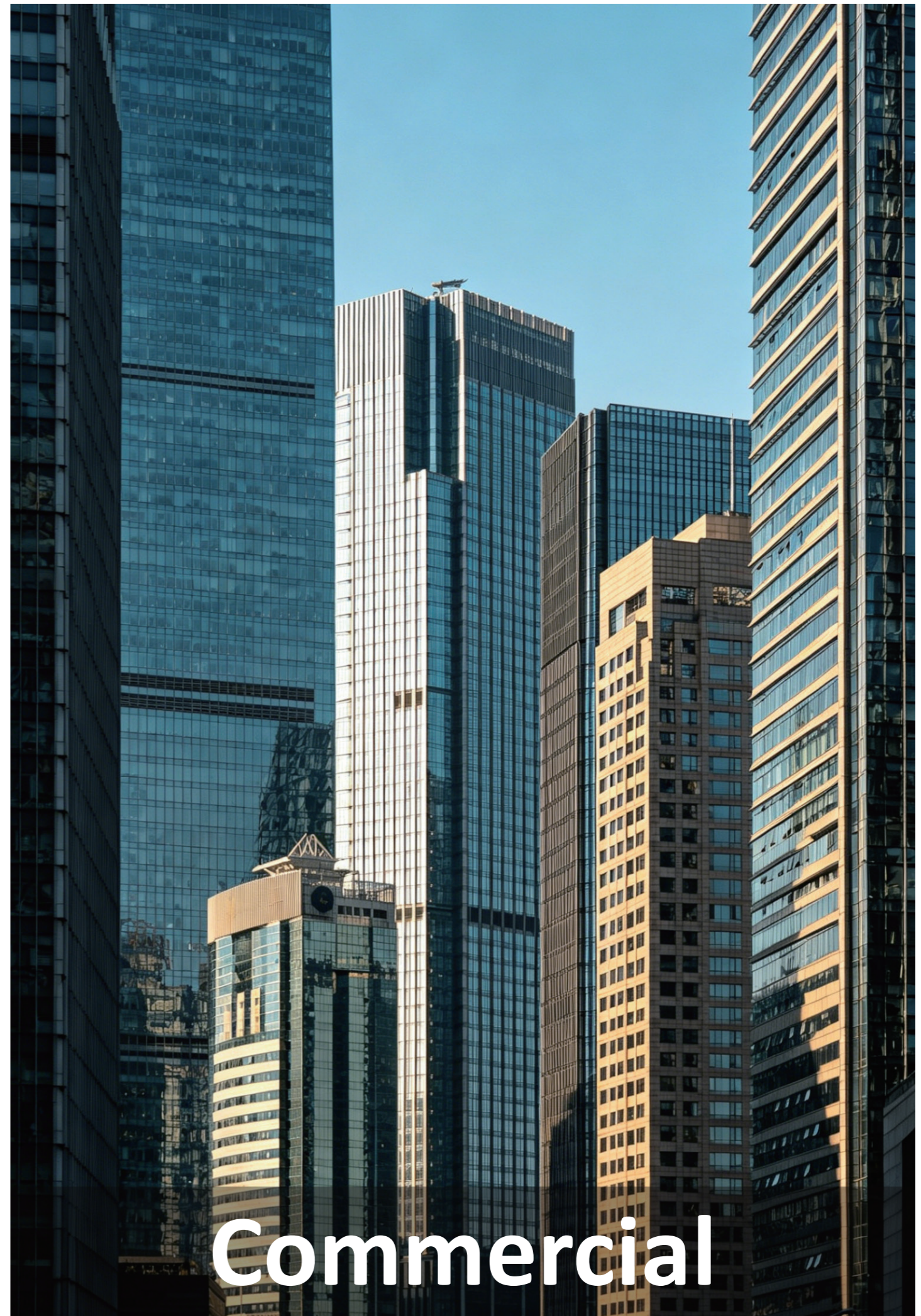
Healthcare



Banking



Airport



Commercial